



TITLE: 3PH DISTRIBUTION TRANSFORMER
NAMEPLATE INFORMATION


1	20/03/17	PP	SEISMIC UPDATE	DES: CSHAH
NO.	DATE	BY	REVISION	SCALE: NTS

SHEET 1 OF 3

EDBTE3A0118KKM

1.0 httpd 2026/04/03 16:44

THIS DRAWING CONTAINS STRICTLY CONFIDENTIAL INFORMATION BELONGING TO HAMMOND POWER SOLUTIONS AND MUST NOT BE DISTRIBUTED OUTSIDE AUTHORIZED PARTIES.




POWER SOLUTIONS
Guelph, ONT Compton, CA Baraboo, WI Monterrey, MX

HPS Tribune™ E
Energy Efficient Drive Isolation Transformer
Transformateur Pour Variateur de Vitesse à Efficacité Énergétique

Part No. **TE3A0118KKM**

LISTED



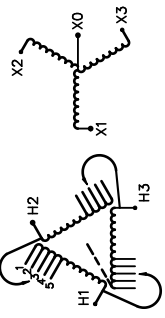
UL 775
E112313

LR 3902
DRY TYPE TRANSFORMER
03423174500
ALSO REFER TO CATALOGUE
TO ENERGY STANDARDS CRO2015-18
BY UNDERWRITERS LABORATORIES INC. @ 316

Cust. Ref. Ref. du Client	Serial No. No. de Serie	480V	142A
Phase	HV/HT	10 kV	142A
Type	BIL	H1 H2 H3	
Cooling Refroidissement	ANN	480Y/277V	142A
kVA	118	10 kV	
Temp. Rise Échauffement	150 °C	Term Bornes	
Temp Class Classe Temp	220 °C	LV/BT	
Winding Enroulement	CU	BIL	
Frequency Fréquence Hz	60	Term Bornes	
Impedance % @ 170 °C	3.9	Energy Regulations Règlements de l'Énergétique	
Encl. Type Type de Coffrage	3R	DOE 10 CFR PART 431:2016	
Weight Poids	795 lbs	CEE ACT SOR/2018-201	

VOLTS	CURRENT COURANT	% RATED % TENSION NOMINALE	CONNECTION EACH PHASE CONNECTION PAR PHASE
504	135	105	1
492	138	102.5	2
480	142	100	3
468	146	97.5	4
456	149	95	5

SPACINGS BETWEEN ANY VENTILATED ENCLOSURE PANEL AND ANY ADJACENT WALL SHALL BE A MINIMUM OF 5 INCHES EXCEPT WHEN WALL MOUNTED USING APPROVED WALL MOUNTING KIT ELECTROSTATIC SHIELD

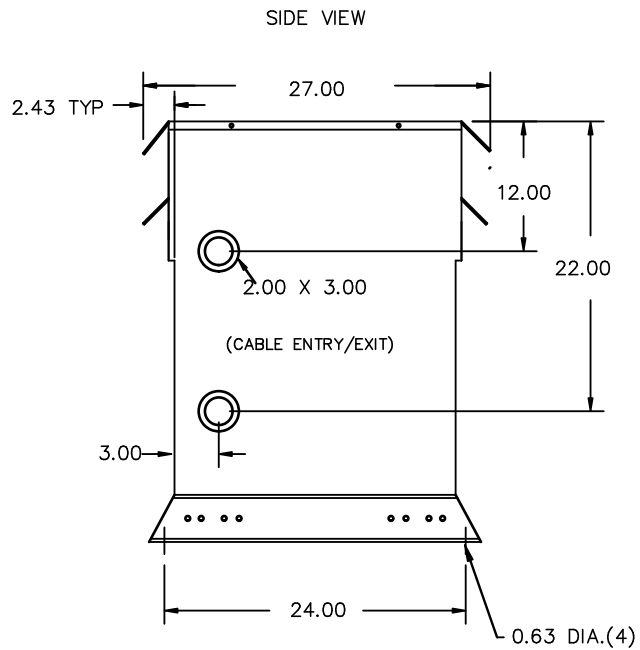


SEISMIC QUALIFICATIONS:
AS FLOOR MOUNT ONLY
IBC 2018/ASCE 7-16
SDS<=2.0g Z/h=1 Ip=1.5

d000194hb



All Dimensions in inches



ENCLOSURE COLOR :ANSI 61 GREY – OUTDOOR

HV TERMINAL DETAIL

LV TERMINAL DETAIL

MECHANICAL TYPE LUGS INCLUDED
SUITABLE FOR 250MCM-6 CU/AL
CONDUCTORS
1 CONDUCTOR PER PHASE

MECHANICAL TYPE LUGS INCLUDED
SUITABLE FOR 250MCM-6 CU/AL
CONDUCTORS
1 CONDUCTOR PER PHASE

CUSTOMER NOTES:

- HV TERMINATED AT TOP FRONT
- LV TERMINATED AT BOTTOM FRONT
- C/W 1-”NC”- THERMOSTAT PER COIL CONNECTED TO T.B.



TITLE: 3PH DISTRIBUTION TRANSFORMER

1	20/03/17	PP	SEISMIC UPDATE	DES: CSHAH
				DATE: 19/07/16
NO.	DATE	BY	REVISION	SCALE: NTS

SHEET 2 OF 3

EDBTE3A0118KKM

ENCLOSURE BOTTOM VIEW



NOTE:
 WHEN BOTTOM CABLE ENTRY IS OPTED, THE SPACE USED FOR CONDUITS IN THE FRONT OF THE TRANSFORMER SHOULD NOT OBSTRUCT MORE THAN 50% OF THE FRONT AIR INTAKE AREA DEFINED BETWEEN THE BOTTOM PLATE AND THE SUPPORTING LEGS.
 SEE MANUAL FOR ADDITIONAL INFORMATION



TITLE: 3PH DISTRIBUTION TRANSFORMER
 ENCLOSURE BOTTOM VIEW

1	20/03/17	PP	SEISMIC UPDATE	DES: CSHAH
NO.	DATE	BY	REVISION	SCALE: NTS

SHEET 3 OF 3

EDBTE3A0118KKM