



TITLE: 3PH DISTRIBUTION TRANSFORMER
NAMEPLATE INFORMATION


| | | | | |
|-----|----------|----|----------------|------------|
| 1 | 20/03/17 | PP | SEISMIC UPDATE | DES: CSHAH |
| NO. | DATE | BY | REVISION | SCALE: NTS |

SHEET 1 OF 3

EDBTE3A0093NJM

1.0 httpd 2026/04/07 00:32

THIS DRAWING CONTAINS STRICTLY CONFIDENTIAL INFORMATION BELONGING TO HAMMOND POWER SOLUTIONS AND MUST NOT BE DISTRIBUTED OUTSIDE AUTHORIZED PARTIES.



POWER SOLUTIONS
Guelph, ONT Compton, CA Baraboo, WI Monterrey, MX

hammond HPS Tribune™ E
Energy Efficient Drive Isolation Transformer
Transformateur Pour Variateur de Vitesse à Efficacité Énergétique

Part No. **TE3A0093NJM**


LR 3902
DRY TYPE TRANSFORMER
77US
E112313
ALSO REFER TO CATALOGUE
TO ENERGY STANDARDS CRO2015-18
BY UNDERWRITERS LABORATORIES INC. @ 316

Serial No. []
No. de Serie []

3 HV/HT
K BIL
ANN Term Bornes
93 LV/BT
150 °C BIL
220 °C Term Bornes
CU Energy Regulations
60 Reglements de Énergétique
5.4
3R
625

575V 93.4A
10 kV
H1 H2 H3
460Y/266V 117A
10 kV
X0 X1 X2 X3
DOE 10 CFR PART 431:2016
CEE ACT SOR/2018-201

| VOLTS | CURRENT COURANT | % RATED % TENSION NOMINALE | CONNECTION EACH PHASE CONNECTION PAR PHASE |
|-------|--------------------|----------------------------------|---|
| 604 | 88.9 | 105 | 1 |
| 589 | 91.1 | 102.5 | 2 |
| 575 | 93.4 | 100 | 3 |
| 561 | 95.8 | 97.5 | 4 |
| 546 | 98.3 | 95 | 5 |

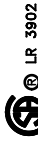


SEISMIC QUALIFICATIONS:
AS FLOOR MOUNT ONLY
IBC 2018/ASCE 7-16
SDS<=2.0g Z/h=1 Ip=1.5

d000194hb

SPACINGS BETWEEN ANY VENTILATED ENCLOSURE PANEL AND ANY ADJACENT WALL SHALL BE A MINIMUM OF 5 INCHES EXCEPT WHEN WALL MOUNTED USING APPROVED WALL MOUNTING KIT ELECTROSTATIC SHIELD

LISTED



LR 3902

DRY TYPE TRANSFORMER

77US

E112313

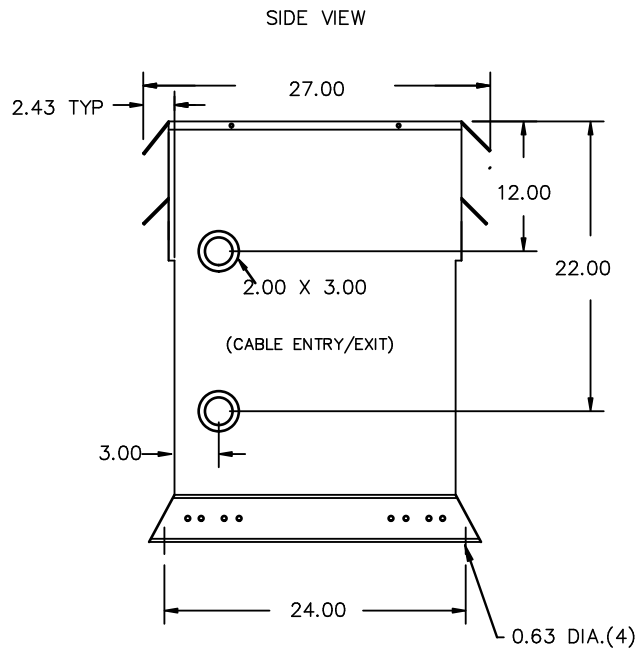
ALSO REFER TO CATALOGUE

TO ENERGY STANDARDS CRO2015-18

BY UNDERWRITERS LABORATORIES INC. @ 316



All Dimensions in inches



ENCLOSURE COLOR :ANSI 61 GREY – OUTDOOR

HV TERMINAL DETAIL

LV TERMINAL DETAIL

MECHANICAL TYPE LUGS INCLUDED
SUITABLE FOR #2/0-14 CU/AL
CONDUCTORS
1 CONDUCTOR PER PHASE

MECHANICAL TYPE LUGS INCLUDED
SUITABLE FOR 250MCM-6 CU/AL
CONDUCTORS
1 CONDUCTOR PER PHASE

CUSTOMER NOTES:

- HV TERMINATED AT TOP FRONT
- LV TERMINATED AT BOTTOM FRONT
- C/W 1-"NC"- THERMOSTAT PER COIL CONNECTED TO T.B.



TITLE: 3PH DISTRIBUTION TRANSFORMER

| | | | | |
|-----|----------|----|----------------|------------|
| 1 | 20/03/17 | PP | SEISMIC UPDATE | DES: CSHAH |
| NO. | DATE | BY | REVISION | SCALE: NTS |

SHEET 2 OF 3

EDBTE3A0093NAM

ENCLOSURE BOTTOM VIEW



NOTE:
 WHEN BOTTOM CABLE ENTRY IS OPTED, THE SPACE USED FOR CONDUITS IN THE FRONT OF THE TRANSFORMER SHOULD NOT OBSTRUCT MORE THAN 50% OF THE FRONT AIR INTAKE AREA DEFINED BETWEEN THE BOTTOM PLATE AND THE SUPPORTING LEGS.
 SEE MANUAL FOR ADDITIONAL INFORMATION



TITLE: 3PH DISTRIBUTION TRANSFORMER
 ENCLOSURE BOTTOM VIEW

| | | | | |
|-----|----------|----|----------------|------------|
| 1 | 20/03/17 | PP | SEISMIC UPDATE | DES: CSHAH |
| NO. | DATE | BY | REVISION | SCALE: NTS |

SHEET 3 OF 3

EDBTE3A0093NAM