



TITLE: 3PH DISTRIBUTION TRANSFORMER  
NAMEPLATE INFORMATION


DES:	LCEN
DATE:	23/02/03
SCALE:	NTS

SHEET 1 OF 3

EDBTE3A0075KK

0.0 httpd 2026/06/03 09:25

THIS DRAWING CONTAINS STRICTLY CONFIDENTIAL INFORMATION BELONGING TO HAMMOND POWER SOLUTIONS AND MUST NOT BE DISTRIBUTED OUTSIDE AUTHORIZED PARTIES.



**hammond**  
POWER SOLUTIONS

Guelph, ONT Compton, CA Baraboo, WI Monterrey, MX

**HPS Tribune™ E**  
Energy Efficient Drive Isolation Transformer  
Transformateur Pour Variateur de Vitesse à Efficacité Énergétique

Part No. **TE3A0075KK**


**LISTED**

UL E112313  
DRY TYPE TRANSFORMER 77US  
ALSO SEE LISTING AND APPROVALS TO ENERGY STANDARDS BOARD BY UNDERWRITERS LABORATORIES INC. @ 316

LR 3902  
0342314379  
4

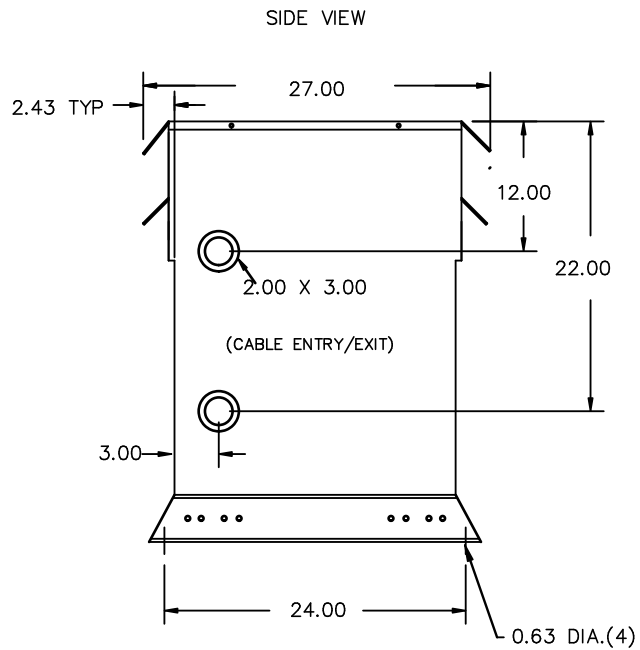
Cust. Ref. Ref. du Client	Serial No. No. de Serie	VOLTS	CURRENT COURANT	% RATED VOLTAGE TENSION NOMINALE	CONNECTION EACH PHASE CONNECTION PAR PHASE
3	HV/HT	480V	85.9	105	1
K	BIL	10 kV	88.0	102.5	2
ANN	Term Bornes	H1 H2 H3	90.2	100	3
75	LV/BT	480Y/277V	92.5	97.5	4
150 °C	BIL	10 kV	95.0		5
220 °C	Term Bornes	X0 X1 X2 X3			
AL	Energy Regulations	DOE 10 CFR PART 431:2016			
60	Reglements de Énergétique	CEE ACT SOR/2018-201			
5.5	Impedance % @ 170 °C				
3R	Encl. Type Type de Coffrage				
530/241	Weight lbs/kg Poids				

SPACINGS BETWEEN ANY VENTILATED ENCLOSURE PANEL AND ANY ADJACENT WALL SHALL BE A MINIMUM OF 3 INCHES ELECTROSTATIC SHIELD



SEISMIC QUALIFICATIONS:  
AS FLOOR MOUNT ONLY  
IBC 2018/ASCE 7-16  
SDS<=2.0g Z/h=1 p=1.5

d000194hb



All Dimensions in inches

ENCLOSURE COLOR :ANSI 61 GREY – OUTDOOR

HV TERMINAL DETAIL

LV TERMINAL DETAIL

MECHANICAL TYPE LUGS INCLUDED  
SUITABLE FOR #2/0-14 CU/AL  
CONDUCTORS  
1 CONDUCTOR PER PHASE

MECHANICAL TYPE LUGS INCLUDED  
SUITABLE FOR #2/0-14 CU/AL  
CONDUCTORS  
1 CONDUCTOR PER PHASE

CUSTOMER NOTES:

- HV TERMINATED AT TOP FRONT
- LV TERMINATED AT BOTTOM FRONT
- C/W 1-"NC"- THERMOSTAT PER COIL CONNECTED TO T.B.



TITLE: 3PH DISTRIBUTION TRANSFORMER

DES:	LCEN
DATE:	23/02/03
SCALE:	NTS

NO.	DATE	BY	REVISION

SHEET 2 OF 3

EDBTE3A0075KK

ENCLOSURE BOTTOM VIEW



NOTE:  
 WHEN BOTTOM CABLE ENTRY IS OPTED, THE SPACE USED FOR CONDUITS IN THE FRONT OF THE TRANSFORMER SHOULD NOT OBSTRUCT MORE THAN 50% OF THE FRONT AIR INTAKE AREA DEFINED BETWEEN THE BOTTOM PLATE AND THE SUPPORTING LEGS.  
 SEE MANUAL FOR ADDITIONAL INFORMATION



TITLE: 3PH DISTRIBUTION TRANSFORMER  
 ENCLOSURE BOTTOM VIEW

				DES: LCEN
				DATE: 23/02/03
NO.	DATE	BY	REVISION	SCALE: NTS

SHEET 3 OF 3

EDBTE3A0075KK