



TITLE: 3PH DISTRIBUTION TRANSFORMER
NAMEPLATE INFORMATION


DES:	PPICASSI
DATE:	18/06/05
SCALE:	NTS

SHEET 1 OF 3

EDBTE3A0075JC

0.0 httpd 2026/06/03 17:55

THIS DRAWING CONTAINS STRICTLY CONFIDENTIAL INFORMATION BELONGING TO HAMMOND POWER SOLUTIONS AND MUST NOT BE DISTRIBUTED OUTSIDE AUTHORIZED PARTIES.




POWER SOLUTIONS
Guelph, ONT Compton, CA Baraboo, WI Monterrey, MX

HPS Tribune™ E
Energy Efficient Drive Isolation Transformer
Transformateur Pour Variateur de Vitesse à Efficacité Énergétique

Part No. **TE3A0075JC**

LISTED



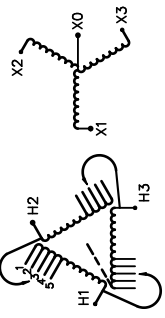
UL E112313

LR 3902
DRY TYPE TRANSFORMER
800 3423 14328
ALSO REFER TO CATALOGUE
TO ENERGY STANDARDS CROU-18
BY UNDERWRITERS LABORATORIES INC. 01/18

SPACINGS BETWEEN ANY VENTILATED ENCLOSURE PANEL AND ANY ADJACENT WALL SHALL BE A MINIMUM OF 3 INCHES ELECTROSTATIC SHIELD

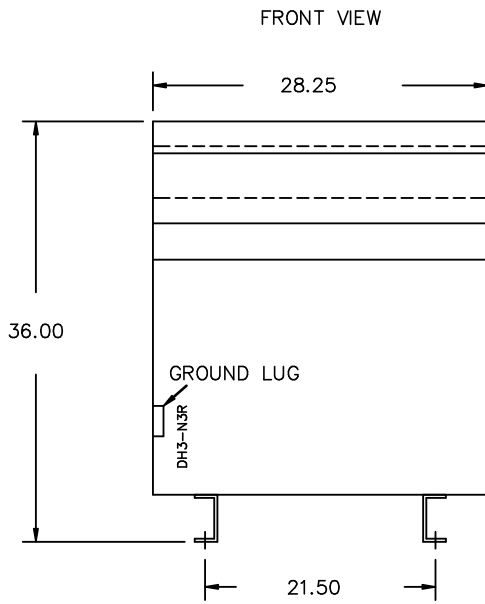
VOLTS	CURRENT COURANT	% RATED VOLTAGE % TENSION NOMINALE	CONNECTION EACH PHASE CONNECTION PAR PHASE
483	89.7	105	1
472	91.8	102.5	2
460	94.1	100	3
448	96.5	97.5	4
437	99.1	95	5

Cust. Ref. Ref. du Client	Serial No. No. de Serie	460V	94.1A
Phase	HV/HT	10 kV	
Type	BIL	H1 H2 H3	
Cooling Refroidissement	ANN	230Y/133V	188A
kVA	75	10 kV	
Temp. Rise Échauffement	150 °C	Term Bornes	X0 X1 X2 X3
Temp Class Classe Temp	220 °C	LV/BT	DOE 10 CFR PART 431:2016
Winding Enroulement	AL	BIL	CEE ACT SOR/2018-201
Frequency Fréquence Hz	60	Term Bornes	
Impedance % @ 170 °C	4.6	Energy Regulations de Énergétique	
Encl. Type Type De Coffrage	3R		
Weight Poids	590		

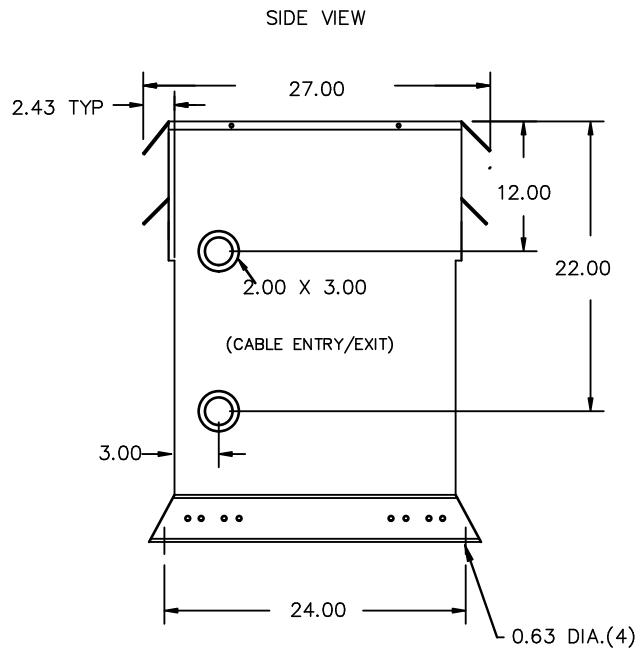


SEISMIC QUALIFICATIONS:
AS FLOOR MOUNT ONLY
IBC 2018/ASCE 7-16
SDS<=2.0g Z/h=0 Ip=1.5

d000194hb



All Dimensions in inches



ENCLOSURE COLOR :ANSI 61 GREY – OUTDOOR

HV TERMINAL DETAIL

LV TERMINAL DETAIL

MECHANICAL TYPE LUGS INCLUDED
SUITABLE FOR #2/0-14 CU/AL
CONDUCTORS
1 CONDUCTOR PER PHASE

MECHANICAL TYPE LUGS INCLUDED
SUITABLE FOR 600MCM-2 CU/AL
CONDUCTORS
1 CONDUCTOR PER PHASE

CUSTOMER NOTES:

- HV TERMINATED AT TOP FRONT
- LV TERMINATED AT BOTTOM FRONT
- C/W 1-"NC"- THERMOSTAT PER COIL CONNECTED TO T.B.



TITLE: 3PH DISTRIBUTION TRANSFORMER

				DES: PPICASSI
				DATE: 18/06/05
NO.	DATE	BY	REVISION	SCALE: NTS

SHEET 2 OF 3

EDBTE3A0075JC

ENCLOSURE BOTTOM VIEW



NOTE:
 WHEN BOTTOM CABLE ENTRY IS OPTED, THE SPACE USED FOR CONDUITS IN THE FRONT OF THE TRANSFORMER SHOULD NOT OBSTRUCT MORE THAN 50% OF THE FRONT AIR INTAKE AREA DEFINED BETWEEN THE BOTTOM PLATE AND THE SUPPORTING LEGS.
 SEE MANUAL FOR ADDITIONAL INFORMATION



TITLE: 3PH DISTRIBUTION TRANSFORMER
 ENCLOSURE BOTTOM VIEW

				DES: PPICASSI
				DATE: 18/06/05
NO.	DATE	BY	REVISION	SCALE: NTS

SHEET 3 OF 3

EDBTE3A0075JC