



TITLE: 3PH DISTRIBUTION TRANSFORMER
NAMEPLATE INFORMATION

NO.	DATE	BY	REVISION


DES: CSHAH
DATE: 20/11/19
SCALE: NTS

SHEET 1 OF 3

EDBTE3A0027KK

0.0 httpd 2026/06/24 20:53

THIS DRAWING CONTAINS STRICTLY CONFIDENTIAL INFORMATION BELONGING TO HAMMOND POWER SOLUTIONS AND MUST NOT BE DISTRIBUTED OUTSIDE AUTHORIZED PARTIES.



POWER SOLUTIONS
Guelph, ONT Compton, CA
Baraboo, WI Monterrey, MX

hammond HPS Tribune™ E
Energy Efficient Drive Isolation Transformer
Transformateur Pour Variateur de Vitesse à Efficacité Énergétique

Part No. **TE3A0027KK**

LR 3902
DRY TYPE TRANSFORMER
77US E112313
UL LISTED
ALSO REFER TO CATALOGUE
TO ENERGY STANDARDS CRO22-18
BY UNDERWRITERS LABORATORIES INC. @ 316

Serial No. []
No. de Serie []

Phase 3 HV/HT

Type K BIL

Cooling Refroidissement ANN Term Bornes

kVA 27 LV/BT

Temp. Rise Echauffement 150 °C BIL

Temp Class Classe Temp 220 °C Term Bornes

Winding Enroulement AL Energy Regulations

Frequency Fréquence Hz 60 Reglements de l'Energétique

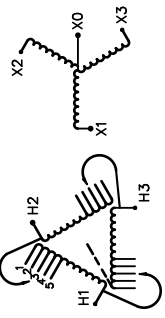
Impedance % @ 170 °C 4.8

Encl. Type Type de Coffrage 3R

Weight Poids lbs 265

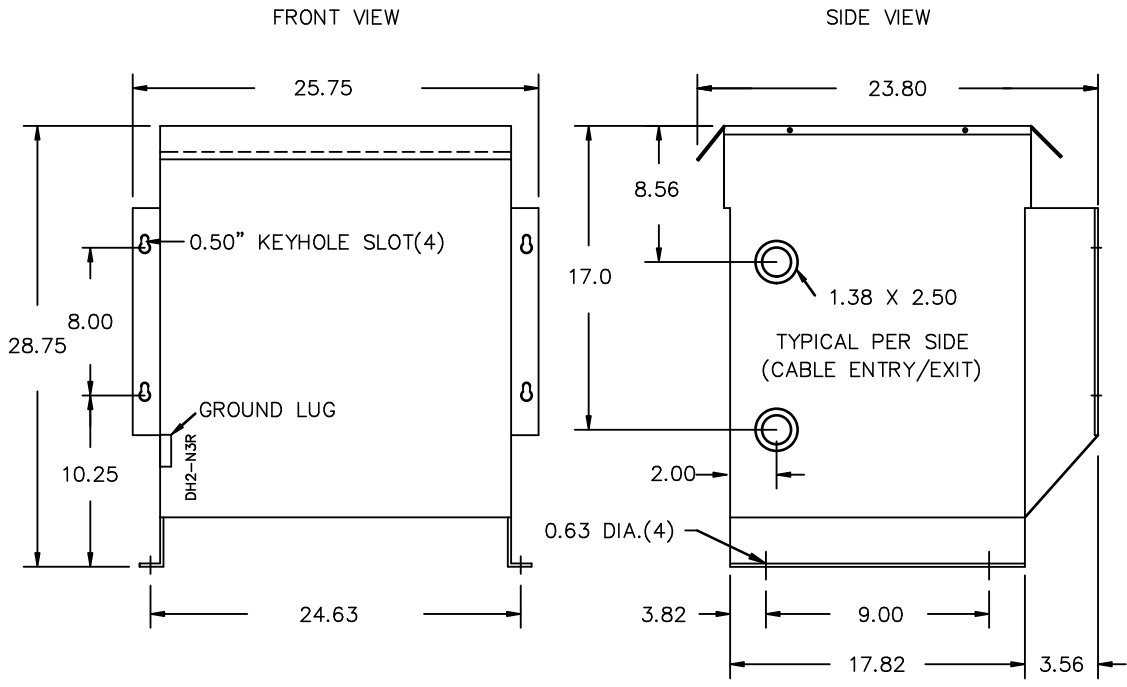
VOLTS	CURRENT COURANT	% RATED VOLTAGE % TENSION NOMINALE	CONNECTION EACH PHASE CONNECTION PAR PHASE
504	30.9	105	1
480	31.7	102.5	2
480	32.5	100	3
468	33.3	97.5	4
456	34.2	95	5

SPACINGS BETWEEN ANY VENTILATED ENCLOSURE PANEL AND ANY ADJACENT WALL SHALL BE A MINIMUM OF 3 INCHES ELECTROSTATIC SHIELD



SEISMIC QUALIFICATIONS:
OSP=0136/IBC 2018/ASCE 7-16
SDS<=2.0g Z/h=1 Ip=1.5

d000194hb



All Dimensions in inches

ENCLOSURE COLOR : ANSI 61 GREY – OUTDOOR

HV TERMINAL DETAIL

LV TERMINAL DETAIL

MECHANICAL TYPE LUGS INCLUDED
SUITABLE FOR #14-2 CU/AL
CONDUCTORS
1 CONDUCTOR PER PHASE

MECHANICAL TYPE LUGS INCLUDED
SUITABLE FOR #14-2 CU/AL
CONDUCTORS
1 CONDUCTOR PER PHASE

CUSTOMER NOTES:

- HV TERMINATED AT TOP FRONT
- LV TERMINATED AT BOTTOM FRONT
- C/W 1-"NC"- THERMOSTAT PER COIL CONNECTED TO T.B.



TITLE: 3PH DISTRIBUTION TRANSFORMER

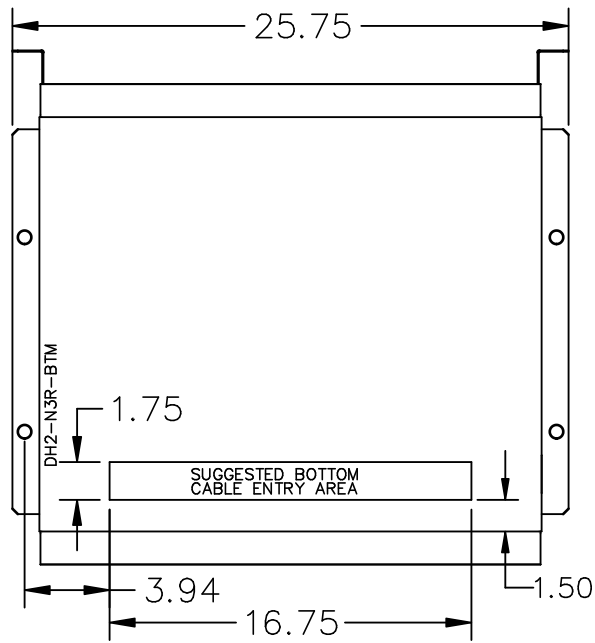
DES:	CSHAH
DATE:	20/11/19
SCALE:	NTS

NO.	DATE	BY	REVISION

SHEET 2 OF 3

EDBTE3A0027KK

ENCLOSURE BOTTOM VIEW



NOTE:
 WHEN BOTTOM CABLE ENTRY IS OPTED, THE SPACE USED FOR CONDUITS IN THE FRONT OF THE TRANSFORMER SHOULD NOT OBSTRUCT MORE THAN 50% OF THE FRONT AIR INTAKE AREA DEFINED BETWEEN THE BOTTOM PLATE AND THE SUPPORTING LEGS.
 SEE MANUAL FOR ADDITIONAL INFORMATION



TITLE: 3PH DISTRIBUTION TRANSFORMER
 ENCLOSURE BOTTOM VIEW

				DES: CSHAH
				DATE: 20/11/19
NO.	DATE	BY	REVISION	SCALE: NTS

SHEET 3 OF 3

EDBTE3A0027KK