
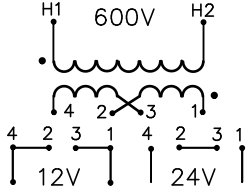


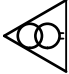


ALL DIMENSIONS ARE IN INCHES
 * TOLERANCES STD. + / - 0.1 INCHES [+ / - 3 MM]

* OPTIONAL FUSEBLOCK ADAPTER KIT (P/N SPFBAK1) WILL ADD 0.38"[9.65] TO THE HEIGHT
 * OPTIONAL PRIMARY AND SECONDARY FINGUARDS (P/N SPFG1) WILL ADD 0.19"[4.9] TO THE HEIGHT AND 0.38"[9.65] TO THE DEPTH

 hammond POWER SOLUTIONS	H1 H2 	CAT.NO. SP500AR	 LR3902  LISTED 252L E50394 130-9 TYPE 3AH
HPS SPARTAN INDUSTRIAL CONTROL TRANSFORMER	500 VA 60 Hz 80 °C RISE		
 npl398c CE 300 VA	X4 X2 X3 X1	MADE IN CHINA	

NOTES:



TITLE: SPARTAN 1 PHASE CONTROL TRANSFORMER

			DES: WWONG
			DATE: 09/10/19
NO.	DATE	BY	REVISION
			SCALE: NTS

SHEET 1 OF 1

EDBSP500AR