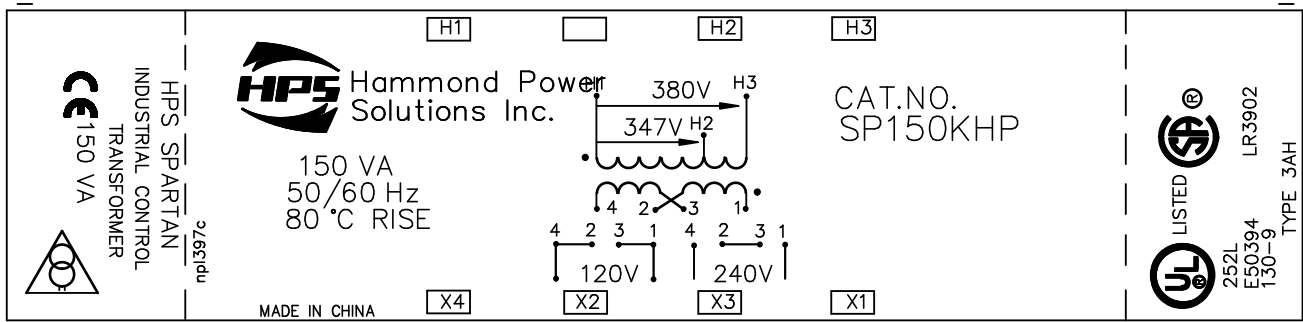


ALL DIMENSIONS ARE IN INCHES  
 \* TOLERANCES STD. + / - 0.1 INCHES [ + / - 3 MM]

- \* OPTIONAL FUSEBLOCK ADAPTER KIT (P/N SPFBAK1) WILL ADD 0.38"[9.65] TO THE HEIGHT
- \* OPTIONAL PRIMARY AND SECONDARY FINGERGUARDS (P/N SPFG1) WILL ADD 0.19"[4.9] TO THE HEIGHT AND 0.38"[9.65] TO THE DEPTH



NOTES:



TITLE: SPARTAN 1 PHASE CONTROL TRANSFORMER

DES:	WWONG
DATE:	09/10/19
SCALE:	NTS

NO.	DATE	BY	REVISION

SHEET 1 OF 1

EDBSP150KHP