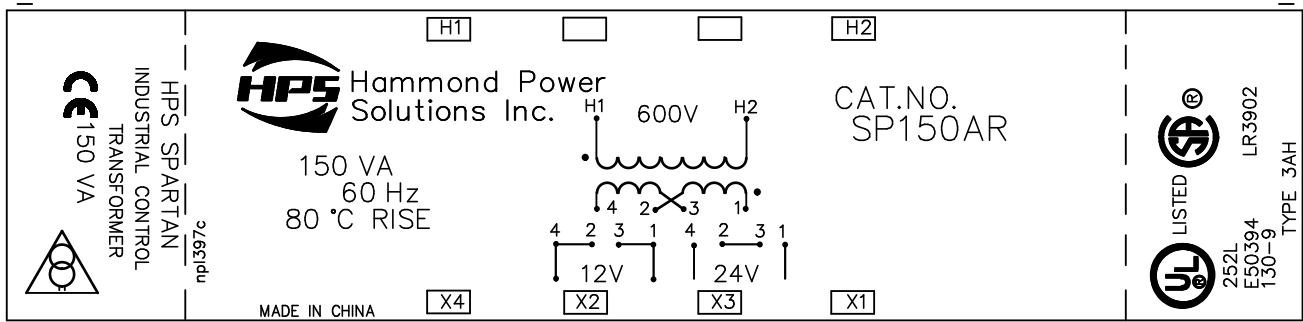


ALL DIMENSIONS ARE IN INCHES
 * TOLERANCES STD. + / - 0.1 INCHES [+ / - 3 MM]

* OPTIONAL FUSEBLOCK ADAPTER KIT (P/N SPFBAK1) WILL ADD 0.38"[9.65] TO THE HEIGHT

* OPTIONAL PRIMARY AND SECONDARY FINGERSHIELDS (P/N SPFG1) WILL ADD 0.19"[4.9] TO THE HEIGHT AND 0.38"[9.65] TO THE DEPTH



NOTES:



TITLE: SPARTAN 1 PHASE CONTROL TRANSFORMER

| | |
|--------|----------|
| DES: | WWONG |
| DATE: | 09/10/19 |
| SCALE: | NTS |

| NO. | DATE | BY | REVISION |
|-----|------|----|----------|
| | | | |

SHEET 1 OF 1

EDBSP150AR