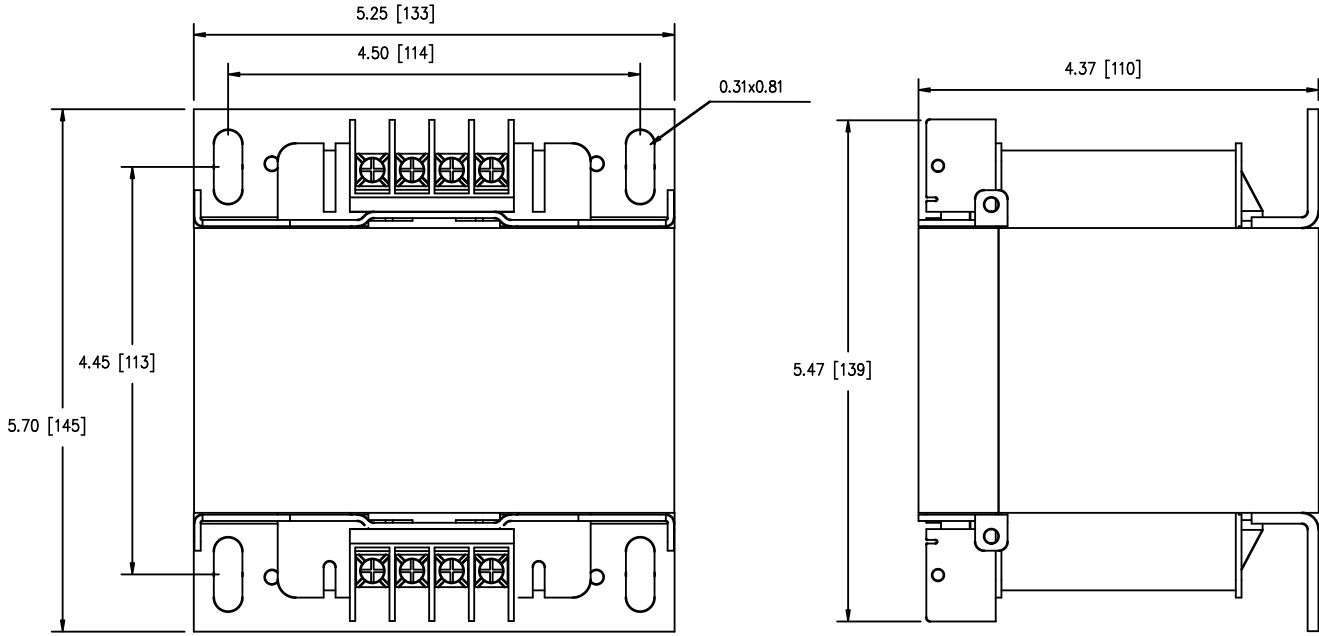


THIS DRAWING CONTAINS STRICTLY CONFIDENTIAL INFORMATION BELONGING TO HAMMOND POWER SOLUTIONS AND MUST NOT BE DISTRIBUTED OUTSIDE AUTHORIZED PARTIES.



* ALL DIMENSIONS ARE IN INCHES
 * TOLERANCES STD. + / - 0.1 INCHES [+ / - 3 MM]

* OPTIONAL FUSEBLOCK ADAPTER KIT (P/N SPFBAK1) WILL ADD 0.38"[9.65] TO THE HEIGHT

* OPTIONAL PRIMARY AND SECONDARY FINGERSHIELDS (P/N SPFG1) WILL ADD 0.19"[4.9] TO THE HEIGHT AND 0.38"[9.65] TO THE DEPTH

hammond
POWER SOLUTIONS

HPS SPARTAN
INDUSTRIAL CONTROL TRANSFORMER

1000 VA
50/60 Hz
80 °C RISE

650 VA

H1 H2 H3

X4 X2 X3 X1

CAT.NO.
SP1000KHP

LR3902

UL LISTED
252L
E50394
130-9

TYPE 3AH

MADE IN CHINA

NOTES:



TITLE: SPARTAN 1 PHASE CONTROL TRANSFORMER

			DES: WWONG
			DATE: 09/10/19
NO.	DATE	BY	REVISION
			SCALE: NTS

SHEET 1 OF 1

EDBSP1000KHP

0.0 httpd 2026/07/11 18:54