



TITLE: 3PH DISTRIBUTION TRANSFORMER
NAMEPLATE INFORMATION


NO.	DATE	BY	REVISION	DES: PPICASSI
				DATE: 24/05/10
				SCALE: NTS

SHEET 1 OF 3

EDBSK3A1000PK9S

0.0 httpd 2026/06/05 20:42

THIS DRAWING CONTAINS STRICTLY CONFIDENTIAL INFORMATION BELONGING TO HAMMOND POWER SOLUTIONS AND MUST NOT BE DISTRIBUTED OUTSIDE AUTHORIZED PARTIES.



POWER SOLUTIONS
Guelph, ONT
Compton, CA

HPS Sentinel™ K
Energy Efficient Distribution Transformer
Transformateur de Distribution à Bon Rendement Énergétique
Baraboo, WI
Monterrey, MX

Part No. **SK3A1000PK9S**

Cust. Ref.

Phase

Type

Cooling

kVA

Temp. Rise

Temp Class

Winding

Frequency

Impedance %

Encl Type

Weight lbs/kg

Serial No.

HV/HT

BIL

Term Bornes

LV/BT

BIL

Term Bornes

Energy Regulations

Reglements Energetique

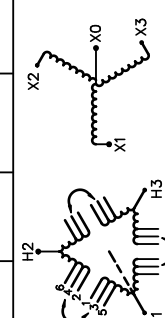
Suitable for non-sinusoidal current load with K-factor not to exceed
Convient à des courants non-sinusoidaux avec facteur K n'excédant pas

Hyderabad, IN Compton, CA Monterrey, MX Part No. **SK3A1000PK9S**

SPACINGS BETWEEN ANY VENTILATED ENCLOSURE PANEL AND ANY ADJACENT WALL SHALL BE A MINIMUM OF 12 INCHES ELECTROSTATIC SHIELD

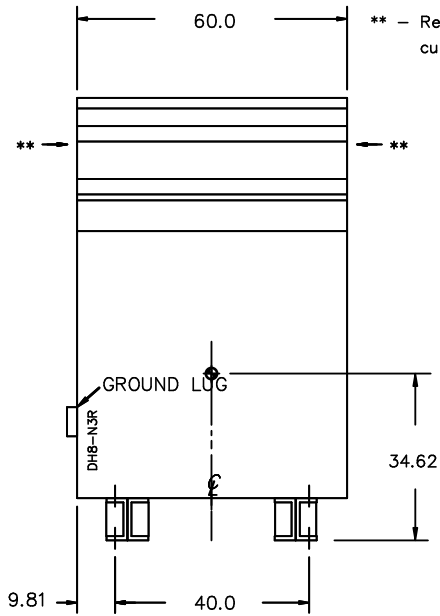
VOLTS	CURRENT COURANT	% RATED VOLTAGE NOMINALE	CONNECTION CONNECTION PAR PHASE
630	916	105	1-2
615	939	102.5	2-3
600	962	100	3-4
585	987	97.5	4-5
570	1013	95	5-6

SEISMIC QUALIFICATIONS:
AS FLOOR MOUNT ONLY
IBC 2018/ASCE 7-16
SDS<=2.0g Z/n=0 Ip=1.5



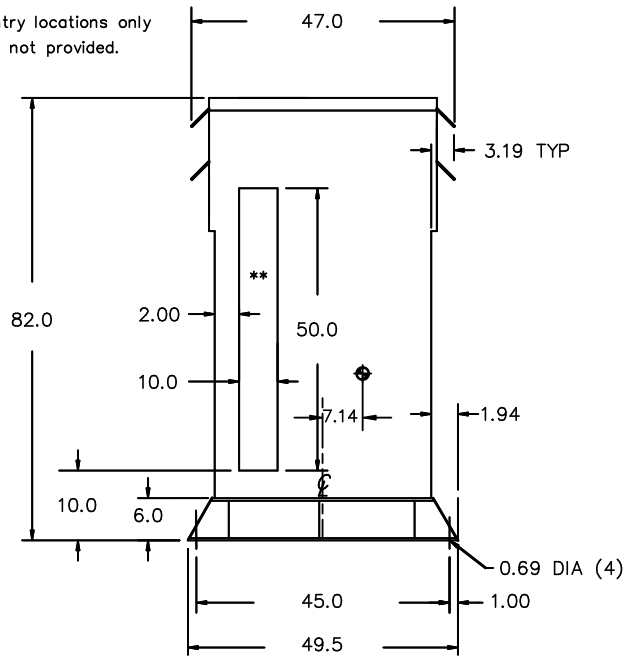
d000187hb

FRONT VIEW



** - Recommended cable entry locations only
cutouts & gland plates not provided.

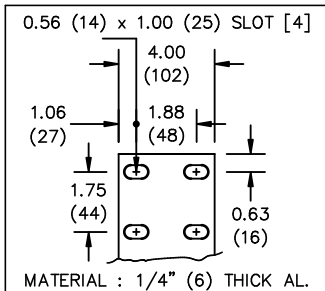
SIDE VIEW



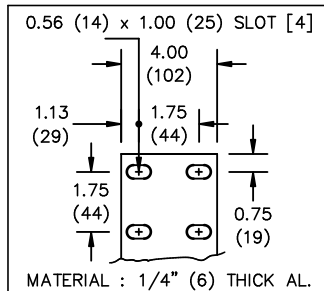
All Dimensions in inches

ENCLOSURE COLOR : ANSI 61 GREY - OUTDOOR

HV TERMINAL DETAIL



LV TERMINAL DETAIL



CUSTOMER NOTES:

- HV TERMINATED AT TOP FRONT
- LV TERMINATED AT BOTTOM FRONT
- 200% RATED NEUTRAL XO HAS TWO TERMINALS, DIVIDE CABLES EVENLY



TITLE: 3PH DISTRIBUTION TRANSFORMER

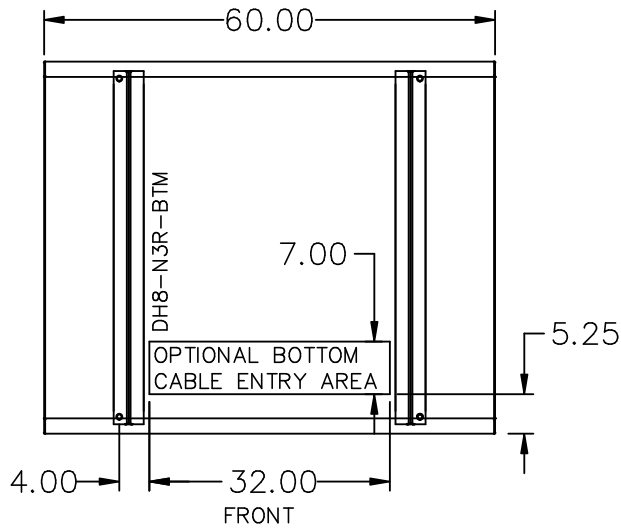
DES:	PPICASSI
DATE:	24/05/10
SCALE:	NTS

NO.	DATE	BY	REVISION

SHEET 2 OF 3

EDBSK3A100PK9S

ENCLOSURE BOTTOM VIEW



NOTE:
 WHEN BOTTOM CABLE ENTRY IS OPTED, THE SPACE USED FOR CONDUITS IN THE FRONT OF THE TRANSFORMER SHOULD NOT OBSTRUCT MORE THAN 50% OF THE FRONT AIR INTAKE AREA DEFINED BETWEEN THE BOTTOM PLATE AND THE SUPPORTING LEGS.
 SEE MANUAL FOR ADDITIONAL INFORMATION



TITLE: 3PH DISTRIBUTION TRANSFORMER
 ENCLOSURE BOTTOM VIEW

				DES: PPICASSI
				DATE: 24/05/10
NO.	DATE	BY	REVISION	SCALE: NTS

SHEET 3 OF 3

EDBSK3A100PK9S