



TITLE: 3PH DISTRIBUTION TRANSFORMER
NAMEPLATE INFORMATION


NO.	DATE	BY	REVISION

DES:	DCORTEZ
DATE:	24/04/26
SCALE:	NTS

SHEET 1 OF 3

EDBSK3A1000KK4S

0.1 httpd 2026/06/25 01:37



POWER SOLUTIONS

Guelph, ONT Compton, CA Hyderabad, IN

HPS Sentinel™ K

Energy Efficient Distribution Transformer

Transformateur de Distribution à Bon Rendement Énergétique

Baraboo, WI Monterrey, MX

Part No. SK3A1000KK4S

Cust. Ref.

Ref. du Client

Serial No.

No. de Serie

Phase

Type

Cooling

Refrroidissement

kVA

Temp. Rise

Echauffement

Temp Class

Classe Temp

Winding

Enroulement

Frequency

Fréquence Hz

Impedance %

① 170°C

Encl Type

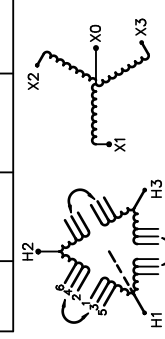
Type De Coffrage

Weight lbs/kg

Poids

VOLTS	CURRENT COURANT	% RATED VOLTAGE NOMINALE	CONNECTION CONNECTION PAR PHASE
509	1135	106	1-2
494	1168	103	2-3
480	1203	100	3-4
466	1240	97	4-5
451	1280	94	5-6

SPACINGS BETWEEN ANY VENTILATED ENCLOSURE PANEL AND ANY ADJACENT WALL SHALL BE A MINIMUM OF 12 INCHES ELECTROSTATIC SHIELD

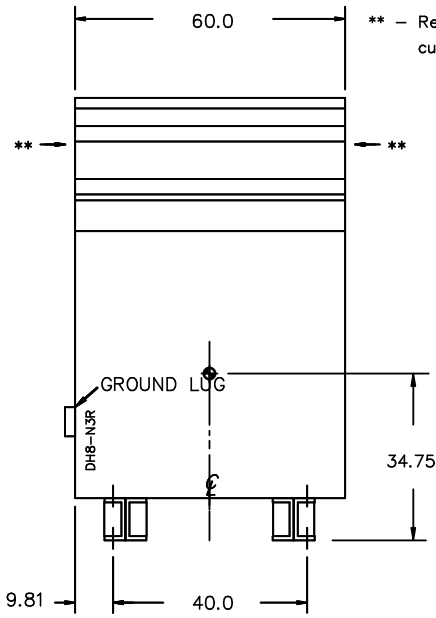


SEISMIC QUALIFICATIONS:
AS FLOOR MOUNT ONLY
IBC 2018/ASCE 7-16
SDS<=2.0g Z/n=0 Ip=1.5

d000187hb

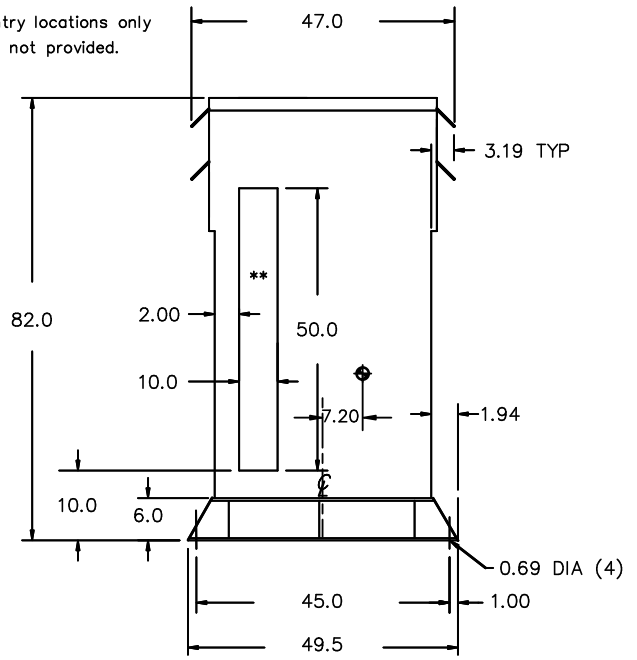
THIS DRAWING CONTAINS STRICTLY CONFIDENTIAL INFORMATION BELONGING TO HAMMOND POWER SOLUTIONS AND MUST NOT BE DISTRIBUTED OUTSIDE AUTHORIZED PARTIES.

FRONT VIEW



** - Recommended cable entry locations only cutouts & gland plates not provided.

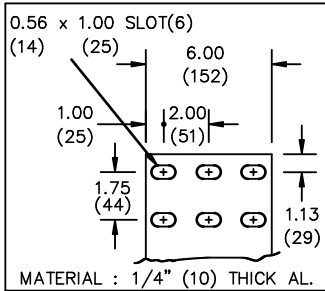
SIDE VIEW



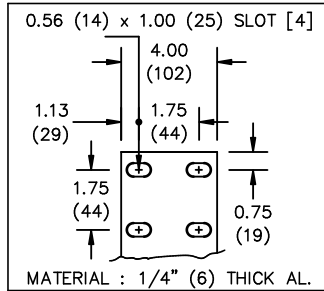
All Dimensions in inches

ENCLOSURE COLOR : ANSI 61 GREY - OUTDOOR

HV TERMINAL DETAIL



LV TERMINAL DETAIL



CUSTOMER NOTES:

- HV TERMINATED AT TOP FRONT
- LV TERMINATED AT BOTTOM FRONT
- 200% RATED NEUTRAL XO HAS TWO TERMINALS, DIVIDE CABLES EVENLY



TITLE: 3PH DISTRIBUTION TRANSFORMER

DES:	DCORTEZ
DATE:	24/04/26
SCALE:	NTS

NO.	DATE	BY	REVISION

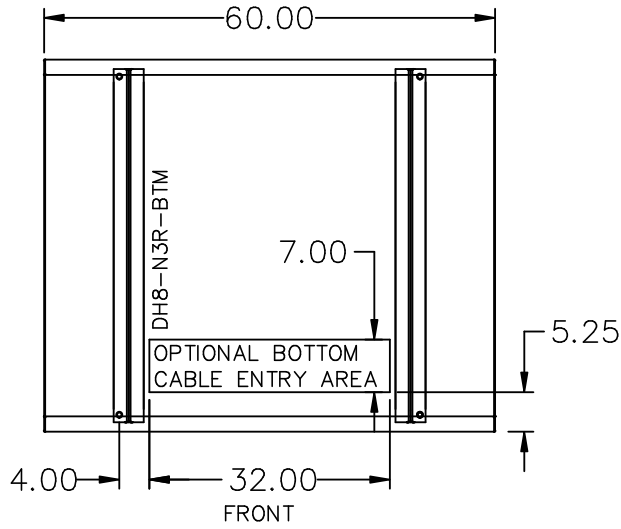
SHEET 2 OF 3

EDBSK3A100KK4S

0.1 httpd 2026/06/25 01:37

THIS DRAWING CONTAINS STRICTLY CONFIDENTIAL INFORMATION BELONGING TO HAMMOND POWER SOLUTIONS AND MUST NOT BE DISTRIBUTED OUTSIDE AUTHORIZED PARTIES.

ENCLOSURE BOTTOM VIEW



NOTE:
 WHEN BOTTOM CABLE ENTRY IS OPTED, THE SPACE USED FOR CONDUITS IN THE FRONT OF THE TRANSFORMER SHOULD NOT OBSTRUCT MORE THAN 50% OF THE FRONT AIR INTAKE AREA DEFINED BETWEEN THE BOTTOM PLATE AND THE SUPPORTING LEGS.
 SEE MANUAL FOR ADDITIONAL INFORMATION



TITLE: 3PH DISTRIBUTION TRANSFORMER
 ENCLOSURE BOTTOM VIEW

				DES: DCORTEZ
				DATE: 24/04/26
NO.	DATE	BY	REVISION	SCALE: NTS

SHEET 3 OF 3

EDBSK3A100KK4S