



TITLE: 3PH DISTRIBUTION TRANSFORMER
NAMEPLATE INFORMATION

NO.	DATE	BY	REVISION

DES:	DCORTEZ
DATE:	24/05/03
SCALE:	NTS

SHEET 1 OF 3

EDBSK3A1000KK4K

0.1 httpd 2026/04/04 00:32

THIS DRAWING CONTAINS STRICTLY CONFIDENTIAL INFORMATION BELONGING TO HAMMOND POWER SOLUTIONS AND MUST NOT BE DISTRIBUTED OUTSIDE AUTHORIZED PARTIES.

POWER SOLUTIONS
Guelph, ONT Compton, CA
Hyderabad, IN

HPS Sentinel™ K
Energy Efficient Distribution Transformer
Transformateur de Distribution à Bon Rendement Énergétique

LR 3902
DRY TYPE TRANSFORMER E112313
ALSO VERIFIED IN ACCORDANCE TO ENERGY STANDARD CRO22-18 BY UNDERWRITERS LABORATORIES INC. © 306

LISTED

Part No. SK3A1000KK4K

Cust. Ref.	Serial No.	HV/HT	480V	1203A	1203A
Ref. du Client	No. de Serie				
Phase	3	BIL	10 kV		
Type	K	Term Bornes	H1 H2 H3		
Cooling Refroidissement	ANN	LV/BT	480Y/277V	1203A	
kVA	1000	BIL	10 kV		
Temp. Rise Echauffement	150 °C	Term Bornes	X0 X1 X2 X3		
Temp Class	220 °C	Energy Regulations	DOE 10 CFR PART 431:2016		
Winding Enroulement	CU	Reglements Energetique	CEE ACT SOR/2018-201		
Frequency	60	Suitable for non-sinusoidal current load with K-factor not to exceed 4			
Impedance % @ 170 °C	5.6	Convient à des courants non-sinusoidaux avec facteur K n'excédant pas 4			
Encl Type Type De Coffrage	3R	Weight lbs/kg	5740/2604		

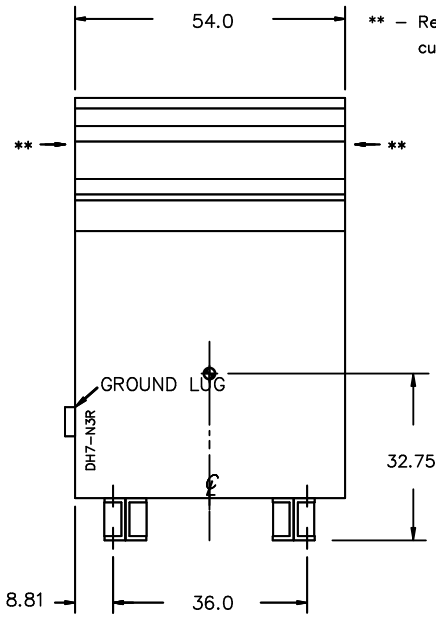
VOLTS	CURRENT COURANT	% RATED VOLTAGE NOMINALE	CONNECTION CONNECTION PAR PHASE
504	1146	105	1-2
492	1173	102.5	2-3
480	1203	100	3-4
468	1234	97.5	4-5
456	1266	95	5-6

SEISMIC QUALIFICATIONS:
AS FLOOR MOUNT ONLY
IBC 2018/ASCE 7-16
SDS<=2.0g Z/n=0 Ip=1.5

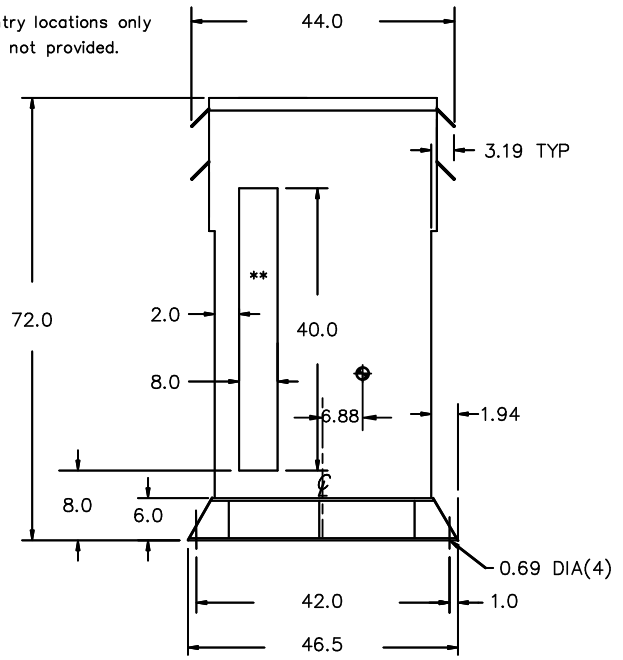
SPACINGS BETWEEN ANY VENTILATED ENCLOSURE PANEL AND ANY ADJACENT WALL SHALL BE A MINIMUM OF 12 INCHES ELECTROSTATIC SHIELD

d000187hb

FRONT VIEW



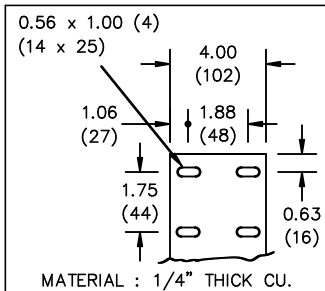
SIDE VIEW



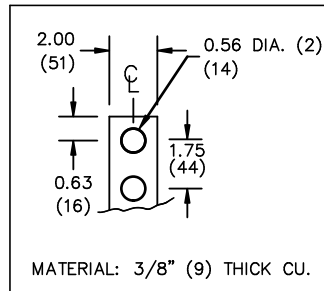
All Dimensions in inches

ENCLOSURE COLOR : ANSI 61 GREY - OUTDOOR

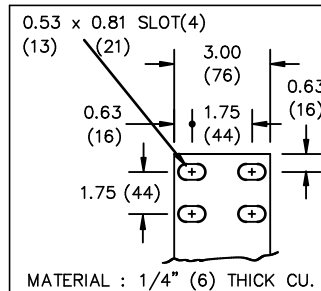
HV TERMINAL DETAIL



LV TERMINAL DETAIL



XO TERMINAL DETAIL



CUSTOMER NOTES:

- HV TERMINATED AT TOP FRONT
- LV TERMINATED AT BOTTOM FRONT
- XO TERMINATED AT BOTTOM FRONT
- 200% RATED NEUTRAL XO HAS TWO TERMINALS, DIVIDE CABLES EVENLY



TITLE: 3PH DISTRIBUTION TRANSFORMER

DES:	DCORTEZ
DATE:	24/05/03
SCALE:	NTS

SHEET 2 OF 3

EDBSK3A100KK4K

0.1 httpd 2026/04/04 00:32

THIS DRAWING CONTAINS STRICTLY CONFIDENTIAL INFORMATION BELONGING TO HAMMOND POWER SOLUTIONS AND MUST NOT BE DISTRIBUTED OUTSIDE AUTHORIZED PARTIES.

ENCLOSURE BOTTOM VIEW



NOTE:
 WHEN BOTTOM CABLE ENTRY IS OPTED, THE SPACE USED FOR CONDUITS IN THE FRONT OF THE TRANSFORMER SHOULD NOT OBSTRUCT MORE THAN 50% OF THE FRONT AIR INTAKE AREA DEFINED BETWEEN THE BOTTOM PLATE AND THE SUPPORTING LEGS.
 SEE MANUAL FOR ADDITIONAL INFORMATION



TITLE: 3PH DISTRIBUTION TRANSFORMER
 ENCLOSURE BOTTOM VIEW

				DES: DCORTEZ
				DATE: 24/05/03
NO.	DATE	BY	REVISION	SCALE: NTS

SHEET 3 OF 3

EDBSK3A100KK4K