


- IMPEDANCE SHOWN IS CALCULATED VALUE - NOT GUARANTEED

d000187hb



hammond
POWER SOLUTIONS

Guelph, ONT Compton, CA
Hyderabad, IN

HPS Sentinel™ K
Energy Efficient Distribution Transformer
Transformateur de Distribution à Bon Rendement Énergétique

Baraboo, WI
Monterrey, MX

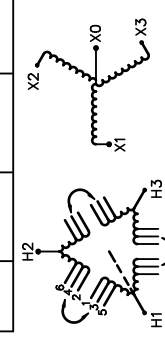
Part No. **SK3A1000KB3K**

Serial No. []
HV/HT 480V
BIL 10 kV
Term Bornes H1 H2 H3
LV/BT 208Y/120V 2776A
BIL 10 kV
Term Bornes X0 X1 X2 X3
DOE 10 CFR PART 431:2016
CEE ACT SOR/2018-201

Cust. Ref. []
Phase 3
Type K
Cooling Refroidissement ANN
kVA 1000
Temp. Rise Echauffement 150 °C
Temp Class 220 °C
Winding Enroulement CU
Frequency Régulations 60
Impedance % 5.5
Encl Type Type De Coffrage 3R
Weight lbs/kg Poids 6550/2972

Spacings between any ventilated enclosure panel and any adjacent wall shall be a minimum of 12 inches electrostatic shield


SEISMIC QUALIFICATIONS:
AS FLOOR MOUNT ONLY
IBC 2018/ASCE 7-16
SDS<=2.0g Z/n=0 Ip=1.5



VOLTS	CURRENT COURANT	% RATED VOLTAGE NOMINALE	CONNECTION CONNECTION PAR PHASE
504	1146	105	1-2
492	1173	102.5	2-3
480	1203	100	3-4
468	1234	97.5	4-5
456	1266	95	5-6

DRY TYPE TRANSFORMER E112313
ALSO VERIFIED IN ACCORDANCE TO ENERGY STANDARD CROZ2-18 BY UNDERMETERS LABORATORIES INC. 316

LISTED



8 03423 13034 3

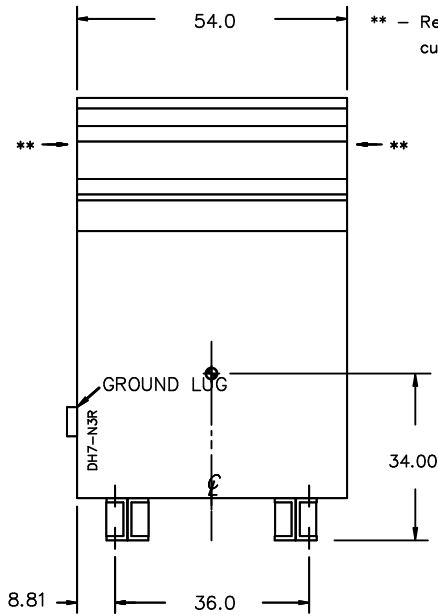


TITLE: 3PH DISTRIBUTION TRANSFORMER NAMEPLATE INFORMATION	
DES: DCORTEZ	DATE: 23/05/30
NO.	DATE
BY	REVISION
SCALE: NTS	

SHEET 1 OF 3
EDBSK3A1000KB3K
0.1 httpd 2026/04/02 11:44

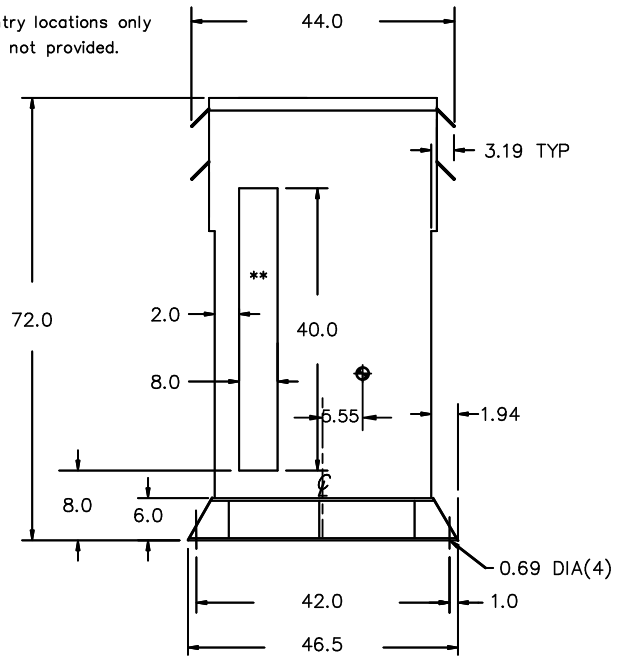
THIS DRAWING CONTAINS STRICTLY CONFIDENTIAL INFORMATION BELONGING TO HAMMOND POWER SOLUTIONS AND MUST NOT BE DISTRIBUTED OUTSIDE AUTHORIZED PARTIES.

FRONT VIEW



** - Recommended cable entry locations only
cutouts & gland plates not provided.

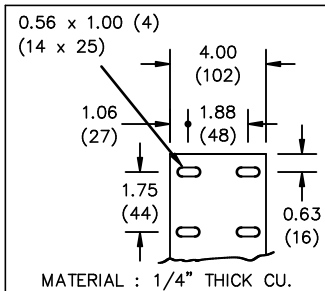
SIDE VIEW



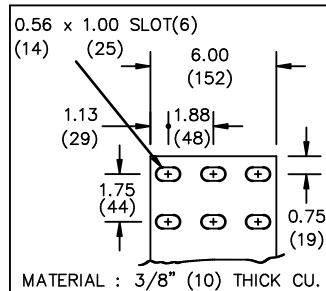
All Dimensions in inches

ENCLOSURE COLOR : ANSI 61 GREY - OUTDOOR

HV TERMINAL DETAIL



LV TERMINAL DETAIL



CUSTOMER NOTES:

- HV TERMINATED AT TOP FRONT
- LV TERMINATED AT BOTTOM FRONT
- 200% NEUTRAL PROVIDED. 2 NEUTRAL PADS, DIVIDE CABLES EVENLY.

THIS DRAWING CONTAINS STRICTLY CONFIDENTIAL INFORMATION BELONGING TO HAMMOND POWER SOLUTIONS AND MUST NOT BE DISTRIBUTED OUTSIDE AUTHORIZED PARTIES.



TITLE: 3PH DISTRIBUTION TRANSFORMER

SHEET 2 OF 3

EDBSK3A100KB3K

				DES: DCORTEZ
				DATE: 23/05/30
NO.	DATE	BY	REVISION	SCALE: NTS

ENCLOSURE BOTTOM VIEW



NOTE:
 WHEN BOTTOM CABLE ENTRY IS OPTED, THE SPACE USED FOR CONDUITS IN THE FRONT OF THE TRANSFORMER SHOULD NOT OBSTRUCT MORE THAN 50% OF THE FRONT AIR INTAKE AREA DEFINED BETWEEN THE BOTTOM PLATE AND THE SUPPORTING LEGS.
 SEE MANUAL FOR ADDITIONAL INFORMATION



TITLE: 3PH DISTRIBUTION TRANSFORMER
 ENCLOSURE BOTTOM VIEW

				DES: DCORTEZ
				DATE: 23/05/30
NO.	DATE	BY	REVISION	SCALE: NTS

SHEET 3 OF 3

EDBSK3A100KB3K