



TITLE: 3PH DISTRIBUTION TRANSFORMER  
NAMEPLATE INFORMATION

NO.	DATE	BY	REVISION	DES: CSHAH
				DATE: 21/11/15
				SCALE: NTS

SHEET 1 OF 3

EDBSK3A0750PK4K

0.0 httpd 2026/06/25 23:35

THIS DRAWING CONTAINS STRICTLY CONFIDENTIAL INFORMATION BELONGING TO HAMMOND POWER SOLUTIONS AND MUST NOT BE DISTRIBUTED OUTSIDE AUTHORIZED PARTIES.

**POWER SOLUTIONS**  
Guelph, ONT  
Compton, CA

**HPS Sentinel™ K**  
Energy Efficient Distribution Transformer  
Transformateur de Distribution à Bon Rendement Énergétique

Hyderabad, IN  
Compton, CA  
Monterrey, MX

Part No. **SK3A0750PK4K**

Cust. Ref. [ ]  
Ref. du Client [ ]

Phase 3

Type K

Cooling Refroidissement ANN

kVA 750

Temp. Rise Echauffement 150 °C

Temp Class Classe Temp 220 °C

Winding Enroulement CU

Frequency Fréquence Hz 60

Impedance % @ 170 °C 5.2

Encl Type Type De Coffrage 3R

Weight lbs/kg Poids 4370/1983

Serial No. No. de Serie [ ]

HV/HT 600V 722A

BIL 10 kV

Term Bornes H1 H2 H3

LV/BT 480Y/277V 902A

BIL 10 kV

Term Bornes X0 X1 X2 X3

Energy Regulations Règlement Energétique DOE 10 CFR PART 431:2016

CEE ACT SOR/2018-201

Suitable for non-sinusoidal current load with K-factor not to exceed 4  
Convient à des courants non-sinusoidaux avec facteur K n'excédant pas 4

SPACINGS BETWEEN ANY VENTILATED ENCLOSURE PANEL AND ANY ADJACENT WALL SHALL BE A MINIMUM OF 12 INCHES  
ÉLECTROSTATIC SHIELD

VOLTS	CURRENT COURANT	% RATED VOLTAGE / % NOMINALE	CONNECTIONS CONNECTIONS PAR PHASE
630	687	105	1-2
615	704	102.5	2-3
600	722	100	3-4
585	740	97.5	4-5
570	760	95	5-6
555	780	92.5	6-7
540	802	90	7-8

SEISMIC QUALIFICATIONS:  
AS FLOOR MOUNT ONLY  
IBC 2018/ASCE 7-16  
SDS<=2.0g Z/n=0 Ip=1.5

d000187hb

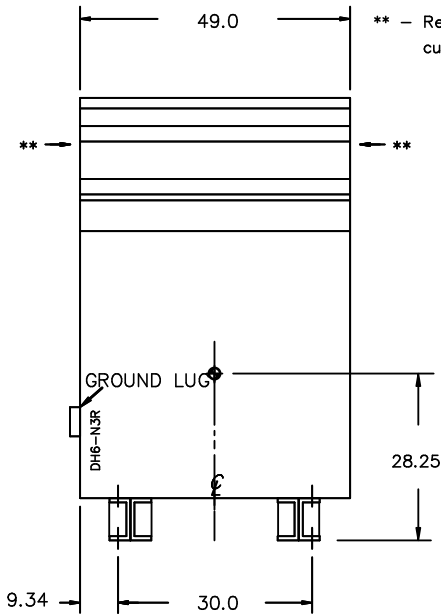


SP @ LR 3902  
DRY TYPE TRANSFORMER E112313  
ALSO VERIFIED IN ACCORDANCE TO ENERGY STANDARD CRO22-18 BY UNDERMETERS LABORATORIES INC. 316



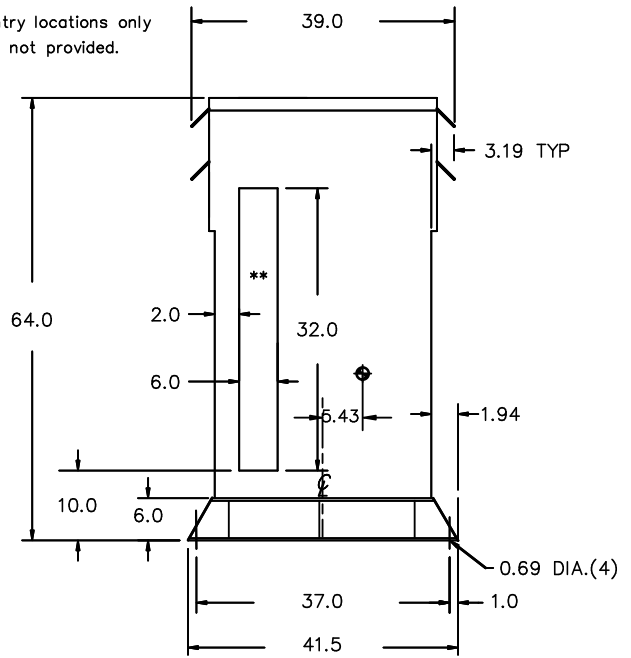
LISTED

FRONT VIEW



\*\* - Recommended cable entry locations only  
cutouts & gland plates not provided.

SIDE VIEW



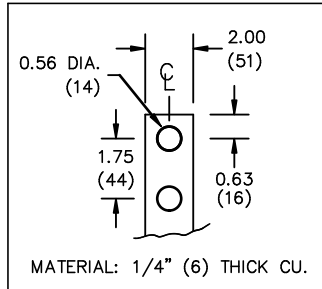
All Dimensions in inches

ENCLOSURE COLOR : ANSI 61 GREY - OUTDOOR

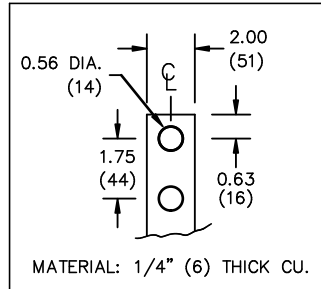
HV TERMINAL DETAIL



LV TERMINAL DETAIL



XO TERMINAL DETAIL



CUSTOMER NOTES:

- HV TERMINATED AT TOP FRONT
  - LV TERMINATED AT BOTTOM FRONT
  - XO TERMINATED AT BOTTOM FRONT
- 200% RATED NEUTRAL XO HAS TWO TERMINALS, DIVIDE CABLES EVENLY



TITLE: 3PH DISTRIBUTION TRANSFORMER

DES:	CSHAH
DATE:	21/11/15
SCALE:	NTS

NO.	DATE	BY	REVISION

SHEET 2 OF 3

EDBSK3A0750PK4K

THIS DRAWING CONTAINS STRICTLY CONFIDENTIAL INFORMATION BELONGING TO HAMMOND POWER SOLUTIONS AND MUST NOT BE DISTRIBUTED OUTSIDE AUTHORIZED PARTIES. 0.0 httpd 2026/06/25 23:35

ENCLOSURE BOTTOM VIEW



NOTE:  
 WHEN BOTTOM CABLE ENTRY IS OPTED, THE SPACE USED FOR CONDUITS IN THE FRONT OF THE TRANSFORMER SHOULD NOT OBSTRUCT MORE THAN 50% OF THE FRONT AIR INTAKE AREA DEFINED BETWEEN THE BOTTOM PLATE AND THE SUPPORTING LEGS.  
 SEE MANUAL FOR ADDITIONAL INFORMATION



TITLE: 3PH DISTRIBUTION TRANSFORMER  
 ENCLOSURE BOTTOM VIEW

				DES: CSHAH
				DATE: 21/11/15
NO.	DATE	BY	REVISION	SCALE: NTS

SHEET 3 OF 3

EDBSK3A0750PK4K