



TITLE: 3PH DISTRIBUTION TRANSFORMER  
NAMEPLATE INFORMATION

DES:	DCORTEZ
DATE:	24/06/04
SCALE:	NTS

SHEET 1 OF 3

EDBSK3A0750PK3K

0.0 httpd 2026/04/03 11:18

THIS DRAWING CONTAINS STRICTLY CONFIDENTIAL INFORMATION BELONGING TO HAMMOND POWER SOLUTIONS AND MUST NOT BE DISTRIBUTED OUTSIDE AUTHORIZED PARTIES.

**POWER SOLUTIONS**

Hyderabad, IN    Guelph, ONT    Baraboo, WI    Monterrey, MX

**HPS Sentinel™ K**

Energy Efficient Distribution Transformer

Transformateur de Distribution à Bon Rendement Énergétique

Part No. SK3A0750PK3K

LR 3902

DRY TYPE TRANSFORMER E112313

ALSO VERIFIED IN ACCORDANCE TO ENERGY STANDARD CRO22-18 BY UNDERMETERS LABORATORIES INC. © 316

**LISTED**

Cust. Ref.	Serial No.	HV/HT	600V	722A	CONNECTION FOR CONNECTION PER PHASE
Ref. du Client	No. de Serie				
Phase	3				1-2 2-3 3-4 4-5 5-6 6-7 7-8
Type	K				
Cooling	ANN				
Refrroidissement					
kVA	750				
Temp. Rise	150 °C				
Echauffement					
Temp Class	220 °C				
Classe Temp					
Winding	CU				
Enroulement					
Frequency	60				
Frequence Hz					
Impedance %	4.4				
© 170 °C					
Encl Type	3R				
Type De Coffrage					
Weight lbs/kg	4850/2200				
Poids					

VOLTS	CURRENT COURANT	% RATED VOLTAGE NOMINALE	CONNECTION FOR CONNECTION PER PHASE
630	687	105	1-2
615	704	102.5	2-3
600	722	100	3-4
585	740	97.5	4-5
570	760	95	5-6
555	780	92.5	6-7
540	802	90	7-8

H1 H2 H3

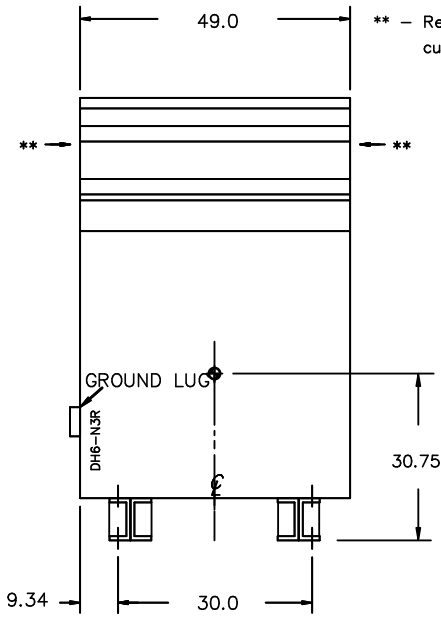
X0 X1 X2 X3

SEISMIC QUALIFICATIONS:  
AS FLOOR MOUNT ONLY  
IBC 2018/ASCE 7-16  
SDS<=2.0g Z/n=0 Ip=1.5

SPACINGS BETWEEN ANY VENTILATED ENCLOSURE PANEL AND ANY ADJACENT WALL SHALL BE A MINIMUM OF 12 INCHES ELECTROSTATIC SHIELD

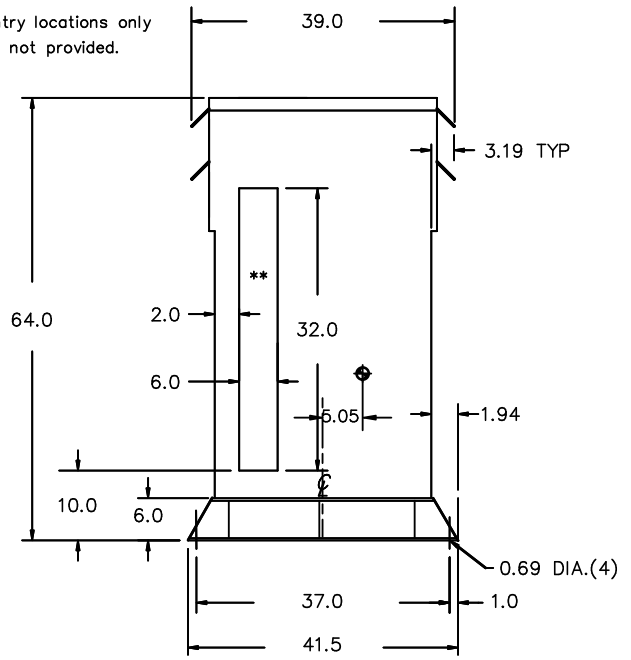
d000187hb

FRONT VIEW



\*\* - Recommended cable entry locations only  
cutouts & gland plates not provided.

SIDE VIEW



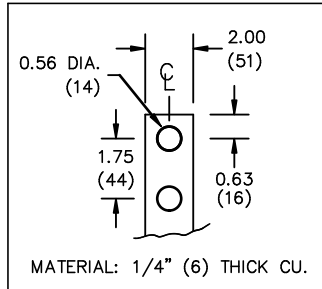
All Dimensions in inches

ENCLOSURE COLOR : ANSI 61 GREY - OUTDOOR

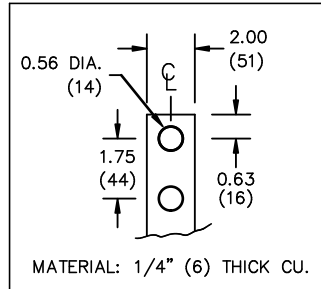
HV TERMINAL DETAIL



LV TERMINAL DETAIL



XO TERMINAL DETAIL



CUSTOMER NOTES:

- HV TERMINATED AT TOP FRONT
- LV TERMINATED AT BOTTOM FRONT
- XO TERMINATED AT BOTTOM FRONT
- 200% RATED NEUTRAL XO HAS TWO TERMINALS, DIVIDE CABLES EVENLY



TITLE: 3PH DISTRIBUTION TRANSFORMER

DES:	DCORTEZ
DATE:	24/06/04
SCALE:	NTS

NO.	DATE	BY	REVISION

SHEET 2 OF 3

EDBSK3A0750PK3K

ENCLOSURE BOTTOM VIEW



NOTE:  
 WHEN BOTTOM CABLE ENTRY IS OPTED, THE SPACE USED FOR CONDUITS IN THE FRONT OF THE TRANSFORMER SHOULD NOT OBSTRUCT MORE THAN 50% OF THE FRONT AIR INTAKE AREA DEFINED BETWEEN THE BOTTOM PLATE AND THE SUPPORTING LEGS.  
 SEE MANUAL FOR ADDITIONAL INFORMATION



TITLE: 3PH DISTRIBUTION TRANSFORMER  
 ENCLOSURE BOTTOM VIEW

				DES: DCORTEZ
				DATE: 24/06/04
NO.	DATE	BY	REVISION	SCALE: NTS

SHEET 3 OF 3

EDBSK3A0750PK3K