



TITLE: 3PH DISTRIBUTION TRANSFORMER
NAMEPLATE INFORMATION

DES:	DCORTEZ
DATE:	21/11/04
SCALE:	NTS

SHEET 1 OF 3

EDBSK3A0750PB4S

0.1 httpd 2026/04/03 14:59

THIS DRAWING CONTAINS STRICTLY CONFIDENTIAL INFORMATION BELONGING TO HAMMOND POWER SOLUTIONS AND MUST NOT BE DISTRIBUTED OUTSIDE AUTHORIZED PARTIES.

POWER SOLUTIONS

Hyderabad, IN Guelph, ONT Baraboo, WI Monterrey, MX

HPS Sentinel™ K

Energy Efficient Distribution Transformer

Transformateur de Distribution à Bon Rendement Énergétique

Part No. SK3A0750PB4S

LR 3902

DRY TYPE TRANSFORMER E112313

ALSO VERIFIED IN ACCORDANCE TO ENERGY STANDARD CROZ2-18 BY UNDERWriters LABORATORIES INC. © 316

LISTED

VOLTS	CURRENT COURANT	% RATED VOLTAGE NOMINALE	CONNECTION FOR CONNECTION PAR PHASE
630	687	105	1-2
615	704	102.5	2-3
600	722	100	3-4
585	740	97.5	4-5
570	760	95	5-6
555	780	92.5	6-7
540	802	90	7-8

Serial No. No. de Serie	
HV/HT	600V 722A
BIL	10 kV
Term Bornes	H1 H2 H3
LV/BT	208Y/120V 2082A
BIL	10 kV
Term Bornes	X0 X1 X2 X3
Energy Regulations Energetique	DOE 10 CFR PART 431:2016
CEE ACT SOR/2018-201	

Cust. Ref. Ref. du Client	
Phase	3
Type	K
Cooling Refroidissement	ANN
kVA	750
Temp. Rise Echauffement	150 °C
Temp Class Classe Temp	220 °C
Winding Enroulement	AL
Frequency Fréquence Hz	60
Impedance % @ 170 °C	6.2
Encl Type Type De Coffrage	3R
Weight lbs/kg Poids	4640/2105

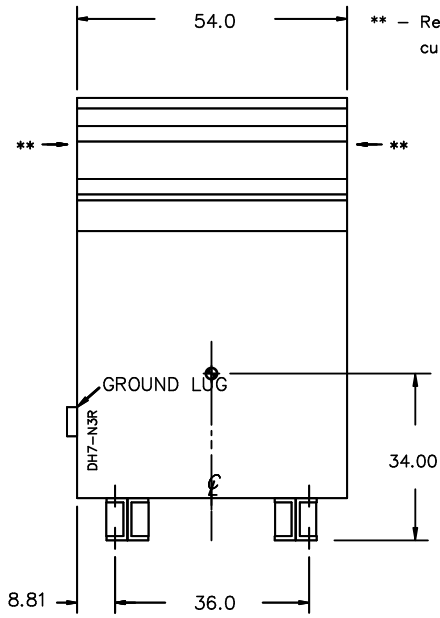
Suitable for non-sinusoidal current load with K-factor not to exceed 4
Convient à des courants non-sinusoidaux avec facteur K n'excédant pas 4

SEISMIC QUALIFICATIONS:
AS FLOOR MOUNT ONLY
IBC 2018/ASCE 7-16
SDS<=2.0g Z/n=0 Ip=1.5

SPACINGS BETWEEN ANY VENTILATED ENCLOSURE PANEL AND ANY ADJACENT WALL SHALL BE A MINIMUM OF 12 INCHES ELECTROSTATIC SHIELD

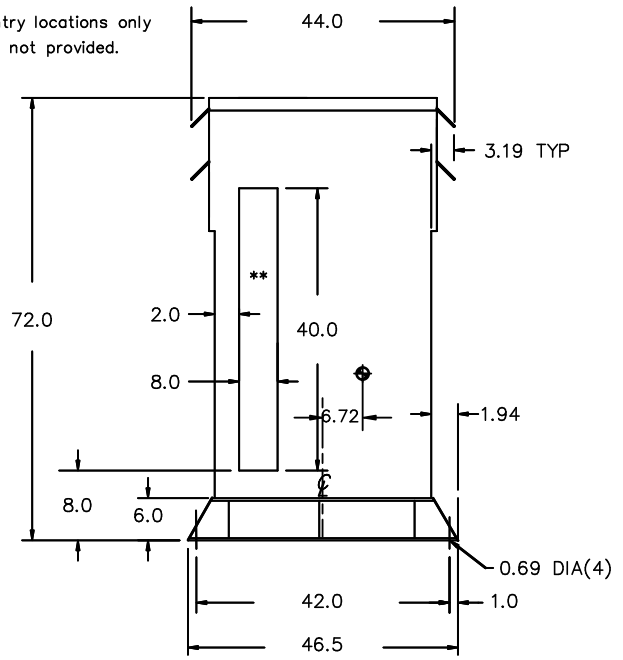
d000187hb

FRONT VIEW



** - Recommended cable entry locations only cutouts & gland plates not provided.

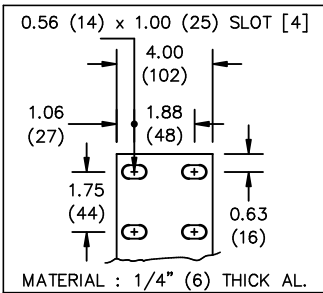
SIDE VIEW



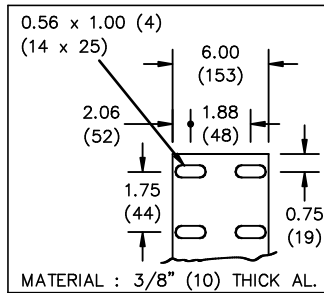
All Dimensions in inches

ENCLOSURE COLOR : ANSI 61 GREY - OUTDOOR

HV TERMINAL DETAIL



LV TERMINAL DETAIL



CUSTOMER NOTES:

- HV TERMINATED AT TOP FRONT
- LV TERMINATED AT BOTTOM FRONT
- 200% NEUTRAL PROVIDED, DIVIDE CABLES EVENLY BETWEEN 2 PADS



TITLE: 3PH DISTRIBUTION TRANSFORMER

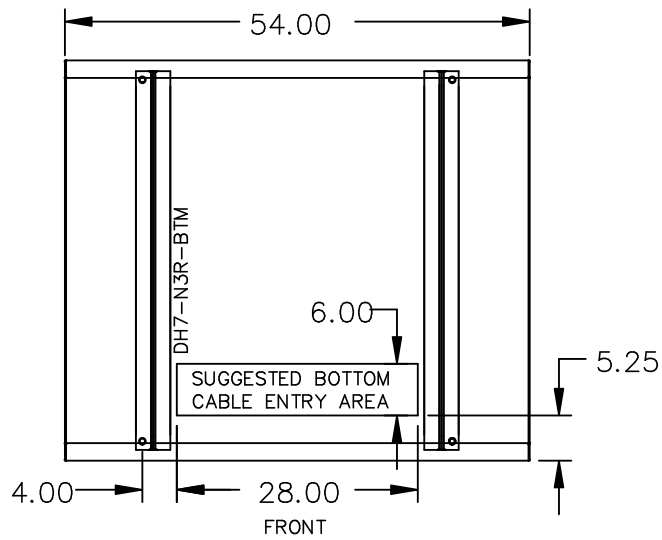
DES:	DCORTEZ
DATE:	21/11/04
SCALE:	NTS

NO.	DATE	BY	REVISION

SHEET 2 OF 3

EDBSK3A0750PB4S

ENCLOSURE BOTTOM VIEW



NOTE:
 WHEN BOTTOM CABLE ENTRY IS OPTED, THE SPACE USED FOR CONDUITS IN THE FRONT OF THE TRANSFORMER SHOULD NOT OBSTRUCT MORE THAN 50% OF THE FRONT AIR INTAKE AREA DEFINED BETWEEN THE BOTTOM PLATE AND THE SUPPORTING LEGS.
 SEE MANUAL FOR ADDITIONAL INFORMATION



TITLE: 3PH DISTRIBUTION TRANSFORMER
 ENCLOSURE BOTTOM VIEW

				DES: DCORTEZ
				DATE: 21/11/04
NO.	DATE	BY	REVISION	SCALE: NTS

SHEET 3 OF 3

EDBSK3A0750P4S