



TITLE: 3PH DISTRIBUTION TRANSFORMER  
NAMEPLATE INFORMATION

NO.	DATE	BY	REVISION	DES: DCORTEZ DATE: 24/01/23 SCALE: NTS
-----	------	----	----------	--

SHEET 1 OF 3

EDBSK3A0750PB4K

0.1 httpd 2026/05/19 23:36

THIS DRAWING CONTAINS STRICTLY CONFIDENTIAL INFORMATION BELONGING TO HAMMOND POWER SOLUTIONS AND MUST NOT BE DISTRIBUTED OUTSIDE AUTHORIZED PARTIES.

**POWER SOLUTIONS**

Guelph, ONT Compton, CA Hyderabad, IN

**HPS Sentinel™ K**

Energy Efficient Distribution Transformer

Transformateur de Distribution à Bon Rendement Énergétique

Baraboo, WI Monterrey, MX

Part No. SK3A0750PB4K

LR 3902

DRY TYPE TRANSFORMER E112313

ALSO VERIFIED IN ACCORDANCE TO ENERGY STANDARD CROZ 2-18 BY UNDERMILLERS LABORATORIES INC. © 316

**LISTED**

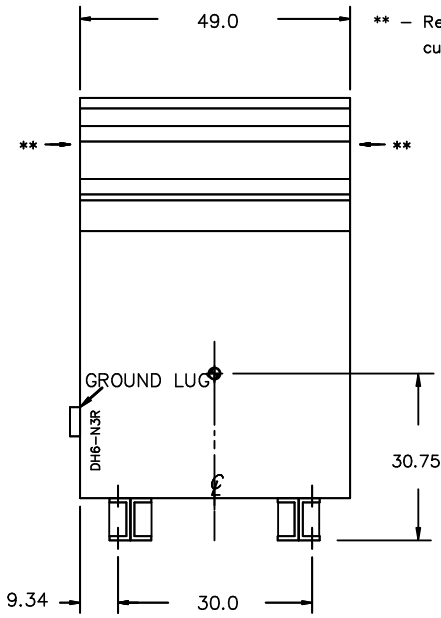
Cust. Ref.	Serial No.	HV/HT	600V	722A	CONNECTION FOR CONNECTION PER PHASE
Ref. du Client	No. de Serie				
Phase	3	BIL	10 kV		1-2
Type	K	Term Bornes	H1 H2 H3		2-3
Cooling Refroidissement	ANN	LV/BT	208Y/120V	2082A	3-4
kVA	750	BIL	10 kV		4-5
Temp. Rise Echauffement	150 °C	Term Bornes	X0 X1 X2 X3		5-6
Temp Class Classe Temp	220 °C	Energy Regulations Règlements Énergétique	DOE 10 CFR PART 431:2016		6-7
Winding Enroulement	CU	CEE ACT SOR/2018-201			7-8
Frequency Fréquence Hz	60	Suitable for non-sinusoidal current load with K-factor not to exceed 4			
Impedance % @ 170 °C	5.8	Convient à des courants non-sinusoidaux avec facteur K n'excédant pas 4			
Encl Type Type De Coffrage	3R				
Weight lbs/kg Poids	4380/1987				

VOLTS	CURRENT COURANT	% RATED VOLTAGE % NOMINALE	CONNECTION FOR CONNECTION PER PHASE
630	687	105	1-2
615	704	102.5	2-3
600	722	100	3-4
585	740	97.5	4-5
570	760	95	5-6
555	780	92.5	6-7
540	802	90	7-8

SEISMIC QUALIFICATIONS:  
AS FLOOR MOUNT ONLY  
IBC 2018/ASCE 7-16  
SDS<=2.0g Z/n=0 Ip=1.5

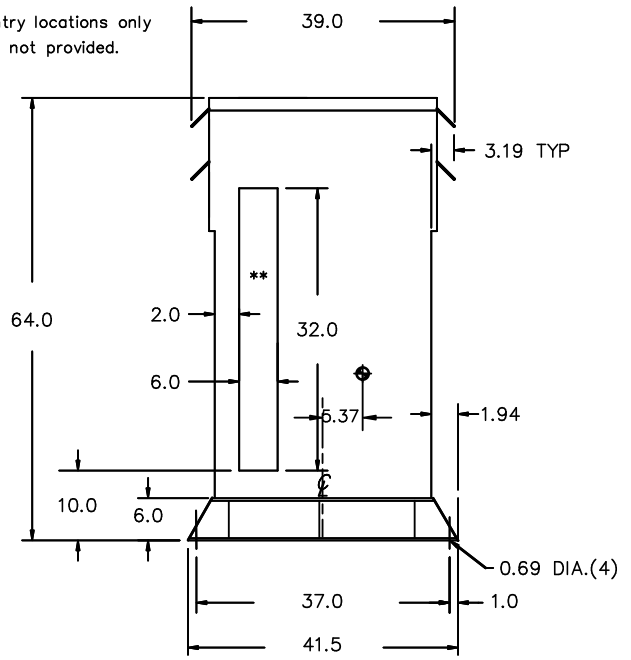
d000187hb

FRONT VIEW



\*\* - Recommended cable entry locations only  
cutouts & gland plates not provided.

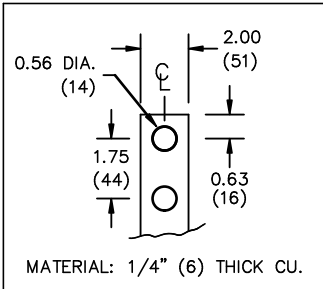
SIDE VIEW



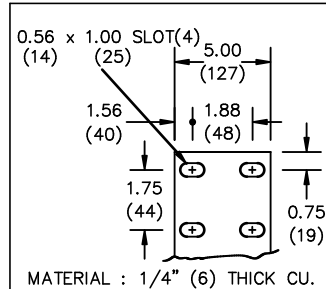
All Dimensions in inches

ENCLOSURE COLOR : ANSI 61 GREY - OUTDOOR

HV TERMINAL DETAIL



LV TERMINAL DETAIL



CUSTOMER NOTES:

- HV TERMINATED AT TOP FRONT
- LV TERMINATED AT BOTTOM FRONT
- 200% RATED NEUTRAL XO HAS TWO TERMINALS, DIVIDE CABLES EVENLY



TITLE: 3PH DISTRIBUTION TRANSFORMER

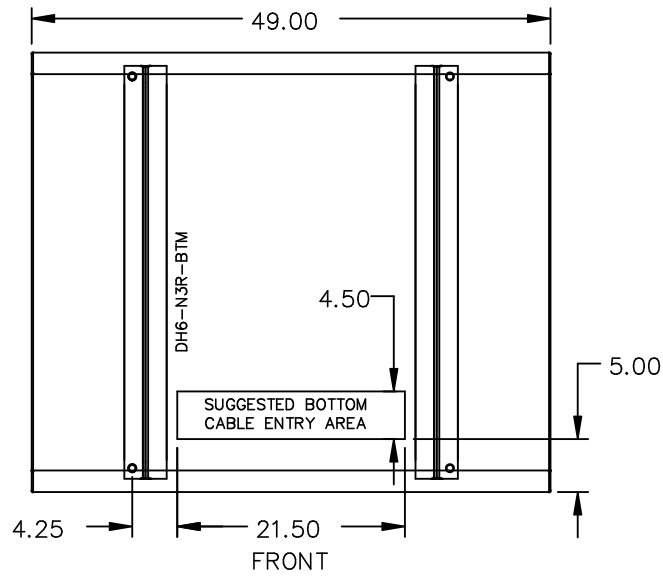
DES:	DCORTEZ
DATE:	24/01/23
SCALE:	NTS

NO.	DATE	BY	REVISION

SHEET 2 OF 3

EDBSK3A0750PB4K

ENCLOSURE BOTTOM VIEW



NOTE:  
 WHEN BOTTOM CABLE ENTRY IS OPTED, THE SPACE USED FOR CONDUITS IN THE FRONT OF THE TRANSFORMER SHOULD NOT OBSTRUCT MORE THAN 50% OF THE FRONT AIR INTAKE AREA DEFINED BETWEEN THE BOTTOM PLATE AND THE SUPPORTING LEGS.  
 SEE MANUAL FOR ADDITIONAL INFORMATION



TITLE: 3PH DISTRIBUTION TRANSFORMER  
 ENCLOSURE BOTTOM VIEW

				DES: DCORTEZ
				DATE: 24/01/23
NO.	DATE	BY	REVISION	SCALE: NTS

SHEET 3 OF 3

EDBSK3A0750PB4K