



TITLE: 3PH DISTRIBUTION TRANSFORMER
NAMEPLATE INFORMATION

NO.	DATE	BY	REVISION	DES: RHARISH
				DATE: 24/11/25
				SCALE: NTS

SHEET 1 OF 3

EDBSK3A0750KB4S

0.0 httpd 2026/05/28 13:04

THIS DRAWING CONTAINS STRICTLY CONFIDENTIAL INFORMATION BELONGING TO HAMMOND POWER SOLUTIONS AND MUST NOT BE DISTRIBUTED OUTSIDE AUTHORIZED PARTIES.

POWER SOLUTIONS

Guelph, ONT
Compton, CA

Hyderabad, IN

HPS Sentinel™ K

Energy Efficient Distribution Transformer

Transformateur de Distribution à Bon Rendement Énergétique

Baraboo, WI
Monterrey, MX

Part No. SK3A0750KB4S

LR 3902

DRY TYPE TRANSFORMER E112313

ALSO VERIFIED IN ACCORDANCE TO ENERGY STANDARD CRO22-18 BY UNDERMETERS LABORATORIES INC. 3106

LISTED

SPACINGS BETWEEN ANY VENTILATED ENCLOSURE PANEL AND ANY ADJACENT WALL SHALL BE A MINIMUM OF 12 INCHES ELECTROSTATIC SHIELD

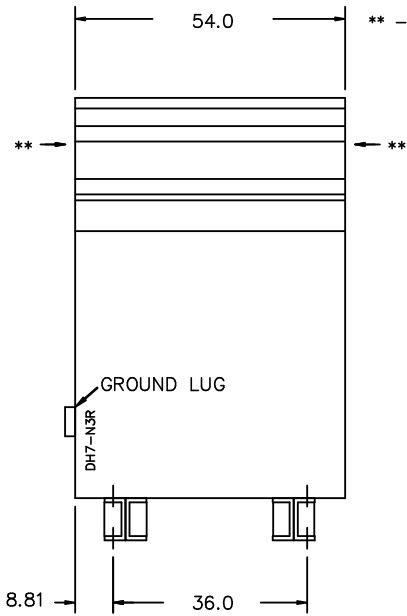
Cust. Ref. Ref. du Client	Serial No. No. de Serie	HV/HT	480V	902A	
Phase	3	BIL	10 kV		
Type	K	Term Bornes	H1 H2 H3		
Cooling Refroidissement	ANN	LV/BT	208Y/120V	2082A	
kVA	750	BIL	10 kV		
Temp. Rise Echauffement	150 °C	Term Bornes	X0 X1 X2 X3		
Temp Class Classe Temp	220 °C	Energy Regulations Règlements Énergétique	DOE 10 CFR PART 431:2016		
Winding Enroulement	AL	CEE ACT SOR/2018-201			
Frequency Fréquence Hz	60	Suitable for non-sinusoidal current load with K-factor not to exceed 4 Convient à des courants non-sinusoidaux avec facteur K n'excédant pas 4			
Impedance % ① 170 °C	6.2	Weight lbs/kg	4500/2042		
Encl Type Type De Coffrage	3R				

VOLTS	CURRENT COURANT	% RATED VOLTAGE % NOMINALE	CONNECTION CONNECTION PAR PHASE
504	859	105	1-2
492	880	102.5	2-3
480	902	100	3-4
468	925	97.5	4-5
456	950	95	5-6
444	975	92.5	6-7
432	1002	90	7-8

SEISMIC QUALIFICATIONS:
X0 FLOOR MOUNT ONLY
IBC 2018/ASCE 7-16
SDS<=2.0g Z/n=0 Ip=1.5

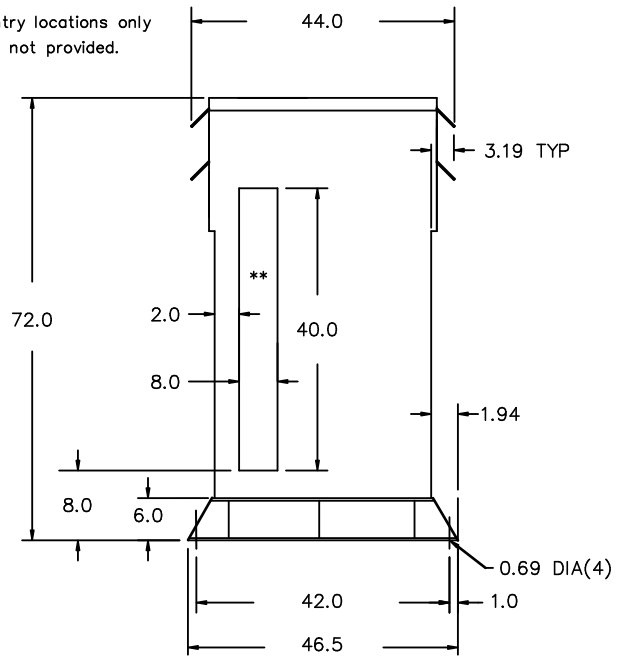
d000187hb

FRONT VIEW



** - Recommended cable entry locations only
cutouts & gland plates not provided.

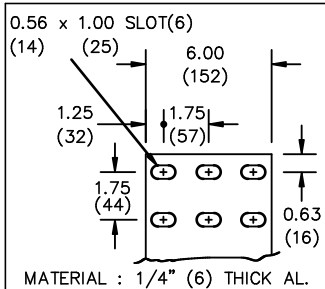
SIDE VIEW



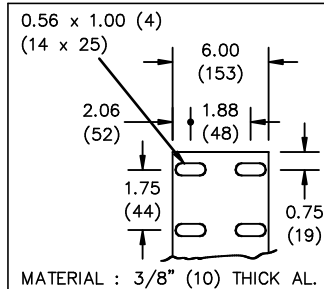
All Dimensions in inches

ENCLOSURE COLOR : ANSI 61 GREY - OUTDOOR

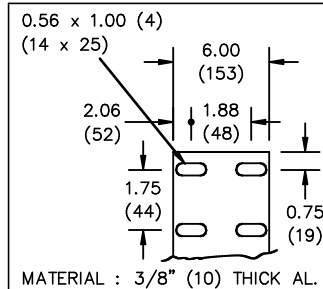
HV TERMINAL DETAIL



LV TERMINAL DETAIL



XO TERMINAL DETAIL



CUSTOMER NOTES:

- HV TERMINATED AT TOP FRONT
- LV TERMINATED AT BOTTOM FRONT
- XO TERMINATED AT BOTTOM FRONT
- C.W: (2) XO PADS. DISTRIBUTE CABLES EVENLY AMONG BOTH



TITLE: 3PH DISTRIBUTION TRANSFORMER

DES:	RHARISH
DATE:	24/11/25
SCALE:	NTS

NO.	DATE	BY	REVISION

SHEET 2 OF 3

EDBSK3A0750KB4S

ENCLOSURE BOTTOM VIEW



NOTE:
 WHEN BOTTOM CABLE ENTRY IS OPTED, THE SPACE USED FOR CONDUITS IN THE FRONT OF THE TRANSFORMER SHOULD NOT OBSTRUCT MORE THAN 50% OF THE FRONT AIR INTAKE AREA DEFINED BETWEEN THE BOTTOM PLATE AND THE SUPPORTING LEGS.
 SEE MANUAL FOR ADDITIONAL INFORMATION



TITLE: 3PH DISTRIBUTION TRANSFORMER
 ENCLOSURE BOTTOM VIEW

				DES: RHARISH
				DATE: 24/11/25
NO.	DATE	BY	REVISION	SCALE: NTS

SHEET 3 OF 3

EDBSK3A0750KB4S