



TITLE: 3PH DISTRIBUTION TRANSFORMER
NAMEPLATE INFORMATION


NO.	DATE	BY	REVISION	DES: RMOVVA
				DATE: 22/02/24
				SCALE: NTS

SHEET 1 OF 3

EDBSK3A0500PK9K

0.0 httpd 2026/04/03 12:16

THIS DRAWING CONTAINS STRICTLY CONFIDENTIAL INFORMATION BELONGING TO HAMMOND POWER SOLUTIONS AND MUST NOT BE DISTRIBUTED OUTSIDE AUTHORIZED PARTIES.




hammond
POWER SOLUTIONS

Guelph, ONT Compton, CA
Hyderabad, IN

HPS Sentinel™ K
Energy Efficient Distribution Transformer
Transformateur de Distribution à Bon Rendement Énergétique

Baraboo, WI
Monterrey, MX

Part No. SK3A0500PK9K



LR 3902
DRY TYPE TRANSFORMER E112313
ALSO VERIFIED IN ACCORDANCE TO ENERGY STANDARD CROZ2-18 BY UNDERMETERS LABORATORIES INC. 316

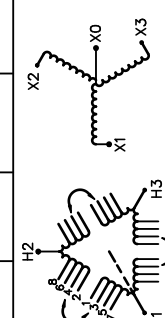
LISTED

VOLTS	CURRENT COURANT	% RATED VOLTAGE / % NOMINALE	CONNECTIONS / CONNECTIONS PAR PHASE
630	458	105	1-2
615	469	102.5	2-3
600	481	100	3-4
585	493	97.5	4-5
570	506	95	5-6
555	520	92.5	6-7
540	535	90	7-8

Serial No. / No. de Serie	
HV/HT	600V 481A
BIL	10 kV
Term Bornes	H1 H2 H3
LV/BT	480Y/277V 601A
BIL	10 kV
Term Bornes	X0 X1 X2 X3
Energy Regulations / Réglements Énergétique	DOE 10 CFR PART 431:2016
CEE ACT SOR/2018-201	

Cust. Ref. / Ref. du Client	
Phase	3
Type	K
Cooling / Refroidissement	ANN
kVA	500
Temp. Rise / Echauffement	150 °C
Temp Class / Classe Temp	220 °C
Winding / Enroulement	CU
Frequency / Fréquence Hz	60
Impedance % @ 170 °C	4.9
Encl Type / Type De Coffrage	3R
Weight lbs/kg / Poids	3520/1597

Suitable for non-sinusoidal current load with K-factor not to exceed 9
Convient à des courants non-sinusoidaux avec facteur K n'excédant pas 9

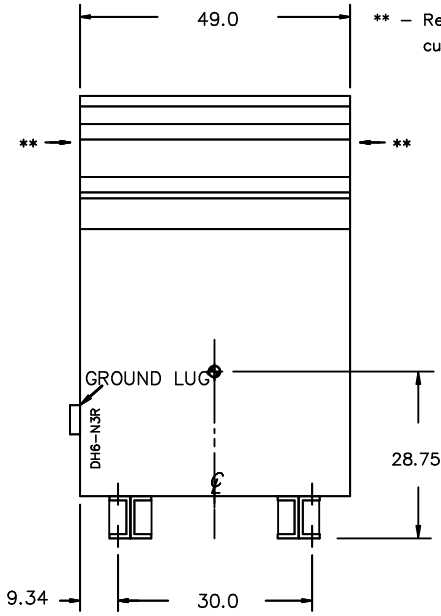


SEISMIC QUALIFICATIONS:
AS FLOOR MOUNT ONLY
IBC 2018/ASCE 7-16
SDS<=2.0g Z/n=0 Ip=1.5

SPACINGS BETWEEN ANY VENTILATED ENCLOSURE PANEL AND ANY ADJACENT WALL SHALL BE A MINIMUM OF 12 INCHES ELECTROSTATIC SHIELD

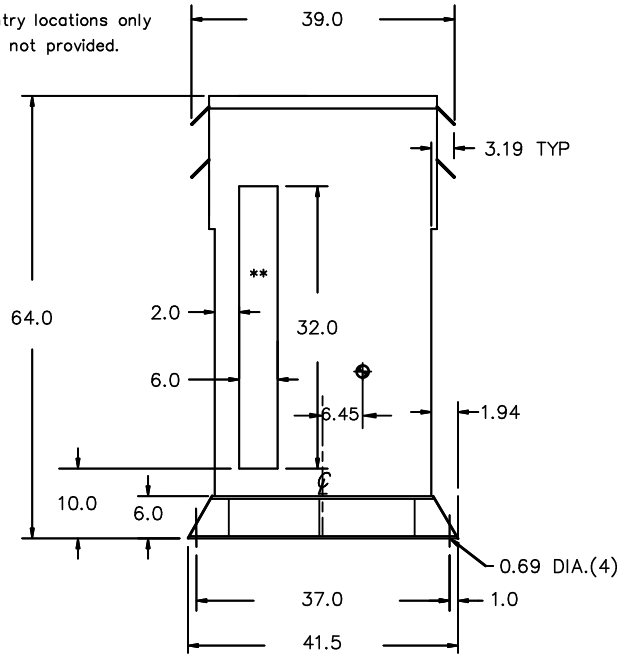
d000187hb

FRONT VIEW



** - Recommended cable entry locations only cutouts & gland plates not provided.

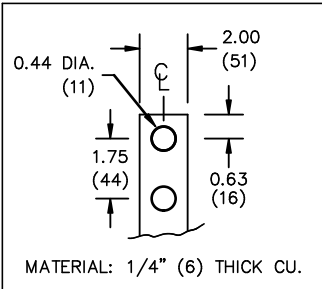
SIDE VIEW



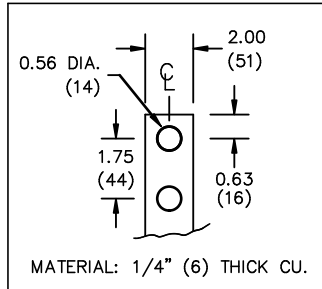
All Dimensions in inches

ENCLOSURE COLOR : ANSI 61 GREY - OUTDOOR

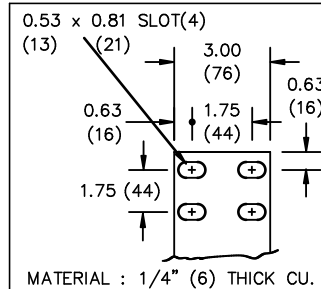
HV TERMINAL DETAIL



LV TERMINAL DETAIL



X0 TERMINAL DETAIL



CUSTOMER NOTES:

- HV TERMINATED AT TOP FRONT
- LV TERMINATED AT BOTTOM FRONT
- X0 TERMINATED AT BOTTOM FRONT
- 200% RATED NEUTRAL PROVIDED



TITLE: 3PH DISTRIBUTION TRANSFORMER

DES:	RMOVVA
DATE:	22/02/24
SCALE:	NTS

NO.	DATE	BY	REVISION

SHEET 2 OF 3

EDBSK3A0500PK9K

ENCLOSURE BOTTOM VIEW



NOTE:
 WHEN BOTTOM CABLE ENTRY IS OPTED, THE SPACE USED FOR CONDUITS IN THE FRONT OF THE TRANSFORMER SHOULD NOT OBSTRUCT MORE THAN 50% OF THE FRONT AIR INTAKE AREA DEFINED BETWEEN THE BOTTOM PLATE AND THE SUPPORTING LEGS.
 SEE MANUAL FOR ADDITIONAL INFORMATION



TITLE: 3PH DISTRIBUTION TRANSFORMER
 ENCLOSURE BOTTOM VIEW

				DES: RMOVVA
				DATE: 22/02/24
NO.	DATE	BY	REVISION	SCALE: NTS

SHEET 3 OF 3

EDBSK3A0500PK9K