



TITLE: 3PH DISTRIBUTION TRANSFORMER
NAMEPLATE INFORMATION

NO.	DATE	BY	REVISION	DES: RMOVVA
				DATE: 25/04/24
				SCALE: NTS

SHEET 1 OF 3

EDBSK3A0500PK4K

0.1 httpd 2026/04/02 07:40

THIS DRAWING CONTAINS STRICTLY CONFIDENTIAL INFORMATION BELONGING TO HAMMOND POWER SOLUTIONS AND MUST NOT BE DISTRIBUTED OUTSIDE AUTHORIZED PARTIES.

POWER SOLUTIONS

Guelph, ONT Compton, CA Hyderabad, IN

HPS Sentinel™ K

Energy Efficient Distribution Transformer

Transformateur de Distribution à Bon Rendement Énergétique

Baraboo, WI Monterrey, MX

Part No. SK3A0500PK4K

LR 3902

DRY TYPE TRANSFORMER E112313

ALSO VERIFIED IN ACCORDANCE TO ENERGY STANDARD CRO22-18 BY UNDERWITERS LABORATORIES INC. © 316

LISTED

VOLTS	CURRENT COURANT	% RATED VOLTAGE NOMINALE	CONNECTIONS CONNECTIONS PAR PHASE
630	458	105	1-2
615	469	102.5	2-3
600	481	100	3-4
585	493	97.5	4-5
570	506	95	5-6
555	520	92.5	6-7
540	535	90	7-8

Serial No. No. de Serie	
HV/HT	600V 481A
BIL	10 kV
Term Bornes	H1 H2 H3
LV/BT	480Y/277V 601A
BIL	10 kV
Term Bornes	X0 X1 X2 X3
Energy Regulations Réglements Énergétique	DOE 10 CFR PART 431:2016
CEE ACT SOR/2018-201	

Cust. Ref. Ref. du Client

Phase 3

Type K

Cooling Refroidissement ANN

kVA 500

Temp. Rise Echauffement 150 °C

Temp Class Classe Temp 220 °C

Winding Enroulement CU

Frequency Fréquence Hz 60

Impedance % @ 170 °C 4.5

Encl Type Type De Coffrage 3R

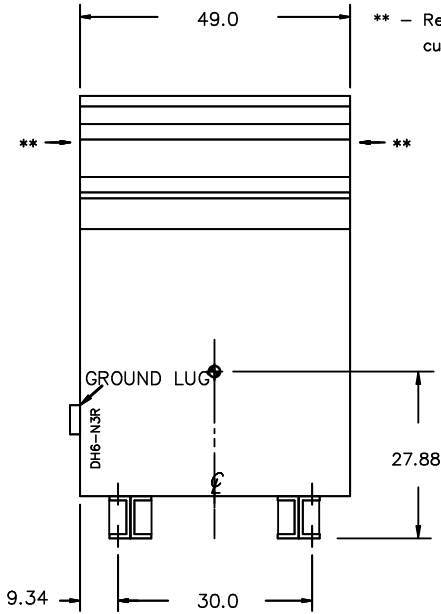
Weight lbs/kg Poids 3360/1525

Spacings between any ventilated enclosure panel and any adjacent wall shall be a minimum of 12 inches Electrostatic Shield

SEISMIC QUALIFICATIONS:
AS FLOOR MOUNT ONLY
IBC 2018/ASCE 7-16
SDS<=2.0g Z/n=0 Ip=1.5

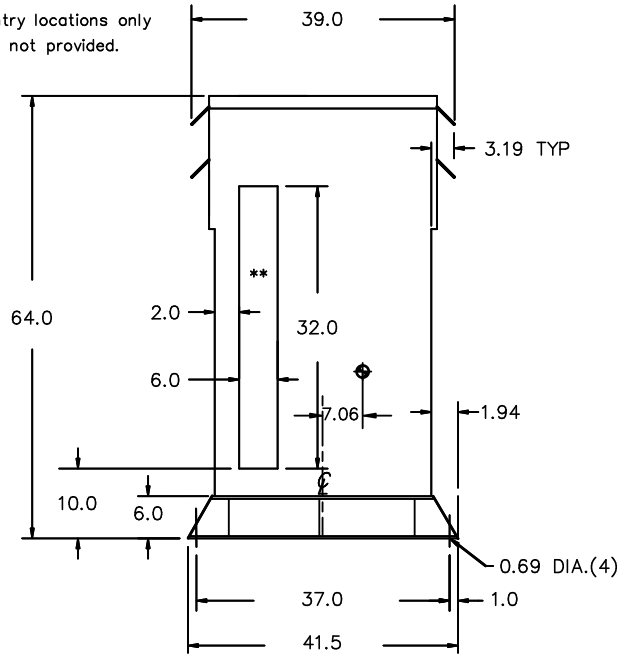
d000187hb

FRONT VIEW



** - Recommended cable entry locations only cutouts & gland plates not provided.

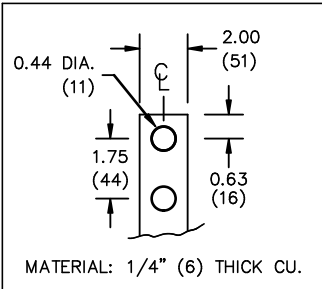
SIDE VIEW



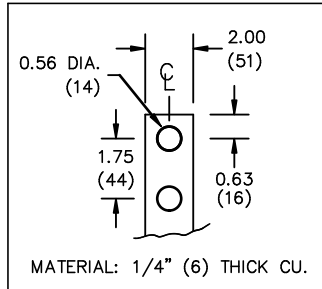
All Dimensions in inches

ENCLOSURE COLOR : ANSI 61 GREY - OUTDOOR

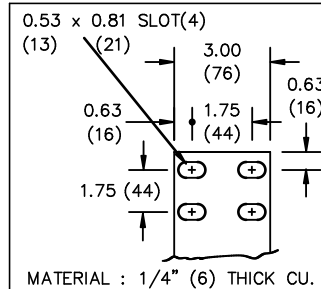
HV TERMINAL DETAIL



LV TERMINAL DETAIL



X0 TERMINAL DETAIL



CUSTOMER NOTES:

- HV TERMINATED AT TOP FRONT
- LV TERMINATED AT BOTTOM FRONT
- X0 TERMINATED AT BOTTOM FRONT
- 200% RATED NEUTRAL PROVIDED



TITLE: 3PH DISTRIBUTION TRANSFORMER

DES:	RMOVVA
DATE:	25/04/24
SCALE:	NTS

NO.	DATE	BY	REVISION

SHEET 2 OF 3

EDBSK3A0500PK4K

ENCLOSURE BOTTOM VIEW



NOTE:
 WHEN BOTTOM CABLE ENTRY IS OPTED, THE SPACE USED FOR CONDUITS IN THE FRONT OF THE TRANSFORMER SHOULD NOT OBSTRUCT MORE THAN 50% OF THE FRONT AIR INTAKE AREA DEFINED BETWEEN THE BOTTOM PLATE AND THE SUPPORTING LEGS.
 SEE MANUAL FOR ADDITIONAL INFORMATION



TITLE: 3PH DISTRIBUTION TRANSFORMER
 ENCLOSURE BOTTOM VIEW

				DES: RMOVVA
				DATE: 25/04/24
NO.	DATE	BY	REVISION	SCALE: NTS

SHEET 3 OF 3

EDBSK3A0500PK4K