



TITLE: 3PH DISTRIBUTION TRANSFORMER  
NAMEPLATE INFORMATION

DES:	DCORTEZ
DATE:	21/10/11
SCALE:	NTS

SHEET 1 OF 3

EDBSK3A0500KK9K

0.1 httpd 2026/04/04 03:28

THIS DRAWING CONTAINS STRICTLY CONFIDENTIAL INFORMATION BELONGING TO HAMMOND POWER SOLUTIONS AND MUST NOT BE DISTRIBUTED OUTSIDE AUTHORIZED PARTIES.

**POWER SOLUTIONS**  
Guelph, ONT  
Compton, CA  
Hyderabad, IN

**hammond** HPS Sentinel™ K  
Energy Efficient Distribution Transformer  
Transformateur de Distribution à Bon Rendement Énergétique  
Baraboo, WI  
Monterrey, MX  
Part No. SK3A0500KK9K

Cust. Ref. [ ]  
Ref. du Client [ ]

Phase 3

Type K

Cooling Refroidissement ANN

kVA 500

Temp. Rise Echauffement 150 °C

Temp Class Classe Temp 220 °C

Winding Enroulement CU

Frequency Fréquence Hz 60

Impedance % @ 170 °C 4.4

Encl Type Type De Coffrage 3R

Weight lbs/kg Poids 3340/1515

Serial No. No. de Serie [ ]

HV/HT 480V 601A

BIL 10 kV

Term Bornes H1 H2 H3

LV/BT 480Y/277V 601A

BIL 10 kV

Term Bornes X0 X1 X2 X3

Energy Regulations Règlement Energétique DOE 10 CFR PART 431:2016

CEE ACT SOR/2018-201

Suitable for non-sinusoidal current load with K-factor not to exceed 9  
Convient à des courants non-sinusoidaux avec facteur K n'excédant pas 9

SPACINGS BETWEEN ANY VENTILATED ENCLOSURE PANEL AND ANY ADJACENT WALL SHALL BE A MINIMUM OF 12 INCHES  
ELECTROSTATIC SHIELD

VOLTS	CURRENT COURANT	% RATED VOLTAGE % NOMINALE	CONNECTION CONNECTION PAR PHASE
504	573	105	1-2
492	587	102.5	2-3
480	601	100	3-4
468	617	97.5	4-5
456	633	95	5-6
444	650	92.5	6-7
432	668	90	7-8

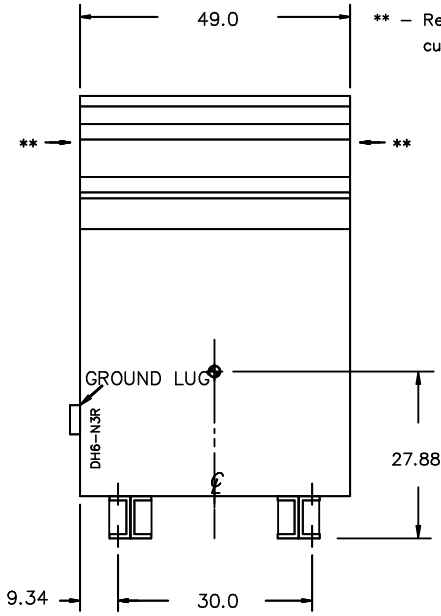
SEISMIC QUALIFICATIONS:  
X0 FLOOR MOUNT ONLY  
IBC 2018/ASCE 7-16  
SDS<=2.0g Z/n=0 Ip=1.5

SPACINGS BETWEEN ANY VENTILATED ENCLOSURE PANEL AND ANY ADJACENT WALL SHALL BE A MINIMUM OF 12 INCHES  
ELECTROSTATIC SHIELD

SEISMIC QUALIFICATIONS:  
X0 FLOOR MOUNT ONLY  
IBC 2018/ASCE 7-16  
SDS<=2.0g Z/n=0 Ip=1.5

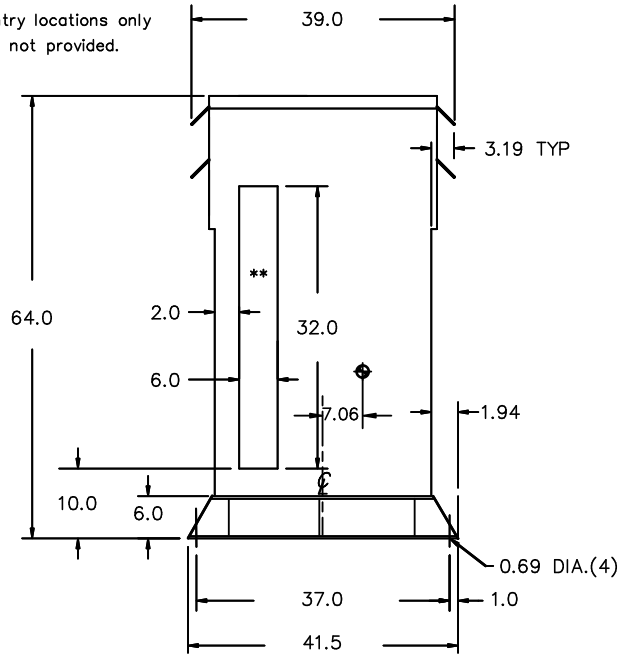
d000187hb

FRONT VIEW



\*\* - Recommended cable entry locations only cutouts & gland plates not provided.

SIDE VIEW



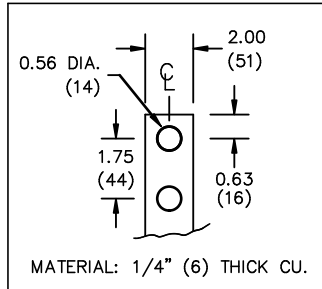
All Dimensions in inches

ENCLOSURE COLOR : ANSI 61 GREY - OUTDOOR

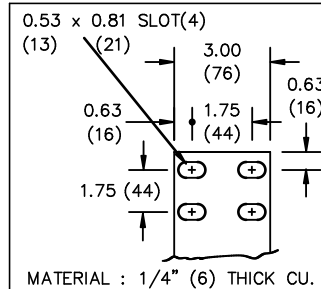
HV TERMINAL DETAIL



LV TERMINAL DETAIL



X0 TERMINAL DETAIL



L.V.2. TERMINAL DETAIL

MECHANICAL TYPE LUGS INCLUDED  
SUITABLE FOR 350MCM-6 CU/AL  
CONDUCTORS  
2 CONDUCTORS PER PHASE

CUSTOMER NOTES:

- HV TERMINATED AT TOP FRONT
- LV TERMINATED AT BOTTOM FRONT
- X0 TERMINATED AT BOTTOM FRONT
- LV2 TERMINATED AT TOP REAR
- 200% RATED NEUTRAL PROVIDED



TITLE: 3PH DISTRIBUTION TRANSFORMER

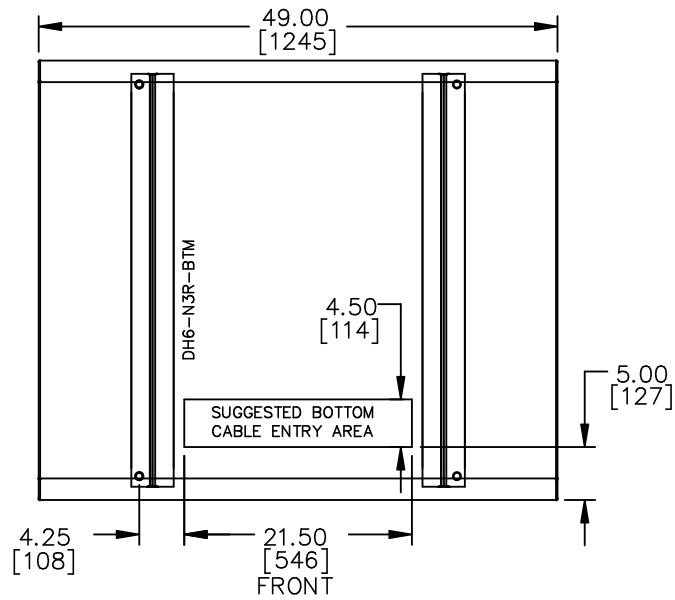
DES:	DCORTEZ
DATE:	21/10/11
SCALE:	NTS

NO.	DATE	BY	REVISION

SHEET 2 OF 3

EDBSK3A0500K9K

ENCLOSURE BOTTOM VIEW



NOTE:  
 WHEN BOTTOM CABLE ENTRY IS OPTED, THE SPACE USED FOR CONDUITS IN THE FRONT OF THE TRANSFORMER SHOULD NOT OBSTRUCT MORE THAN 50% OF THE FRONT AIR INTAKE AREA DEFINED BETWEEN THE BOTTOM PLATE AND THE SUPPORTING LEGS.  
 SEE MANUAL FOR ADDITIONAL INFORMATION



TITLE: 3PH DISTRIBUTION TRANSFORMER  
ENCLOSURE BOTTOM VIEW

				DES: DCORTEZ
				DATE: 21/10/11
NO.	DATE	BY	REVISION	SCALE: NTS

SHEET 3 OF 3

EDBSK3A0500KK9K