




TITLE: 3PH DISTRIBUTION TRANSFORMER
NAMEPLATE INFORMATION

1	21/07/16	PP	EDB UPDATE	DES: CSHAH
NO.	DATE	BY	REVISION	SCALE: NTS

SHEET 1 OF 3


EDBSK3A0500KK4S

1:1 httpd 2026/04/02 10:44



hammond
POWER SOLUTIONS

HPS Sentinel™ K
Energy Efficient Distribution Transformer
Transformateur de Distribution à Bon Rendement Énergétique



LR 3902
UL LISTED

Guelph, ONT Baraboo, WI
Compton, CA Monterrey, MX

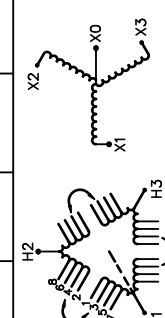
Part No. SK3A0500KK4S

Hyderabad, IN

Cust. Ref. [] Serial No. []
Ref. du Client [] No. de Serie []

Phase	3	HV/HT	480V	601A
Type	K	BIL	10 kV	
Cooling Refroidissement	ANN	Term Bornes	H1 H2 H3	
kVA	500	LV/BT	480Y/277V	601A
Temp. Rise Echauffement	150 °C	BIL	10 kV	
Temp Class Classe Temp	220 °C	Term Bornes	X0 X1 X2 X3	
Winding Enroulement	AL	Energy Regulations Réglements Energetique	DOE 10 CFR PART 431:2016	
Frequency Fréquence Hz	60	CEE ACT	SOR/2018-201	
Impedance % @ 170 °C	6.1	Suitable for non-sinusoidal current load with K-factor not to exceed 4 Convient à des courants non-sinusoidaux avec facteur K n'excédant pas 4		
Encl Type Type De Coffrage	3R	Weight Poids	3200	

VOLTS	CURRENT COURANT	% RATED VOLTAGE % NOMINALE	CONNECTION CONNECTION PAR PHASE
504	573	105	1-2
492	587	102.5	2-3
480	601	100	3-4
468	617	97.5	4-5
456	633	95	5-6
444	650	92.5	6-7
432	668	90	7-8

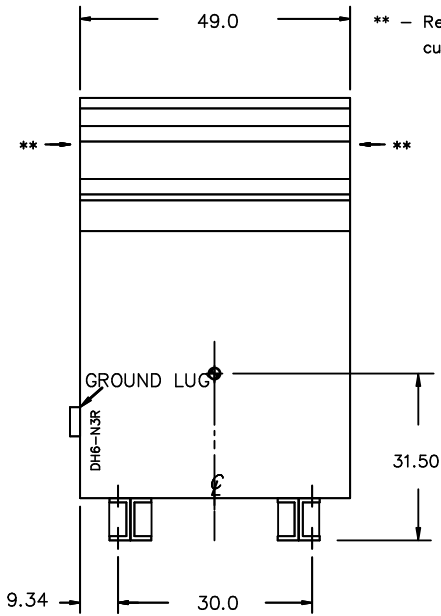


SEISMIC QUALIFICATIONS:
AS FLOOR MOUNT ONLY
IBC 2018/ASCE 7-16
SDS<=2.0g Z/n=0 Ip=1.5

SPACINGS BETWEEN ANY VENTILATED ENCLOSURE PANEL AND ANY ADJACENT WALL SHALL BE A MINIMUM OF 12 INCHES ELECTROSTATIC SHIELD

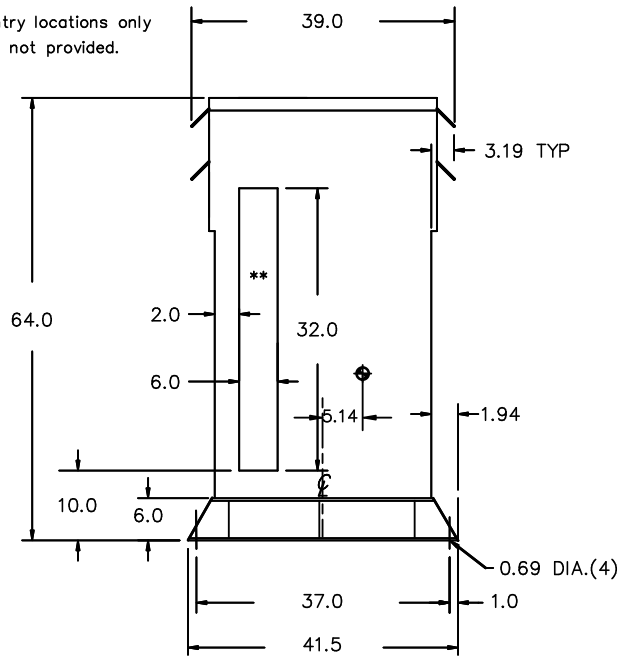
d000187hb

FRONT VIEW



** - Recommended cable entry locations only cutouts & gland plates not provided.

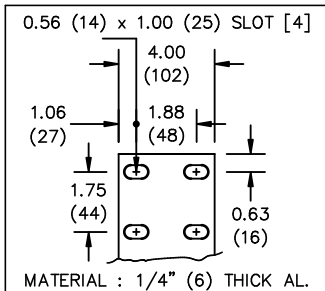
SIDE VIEW



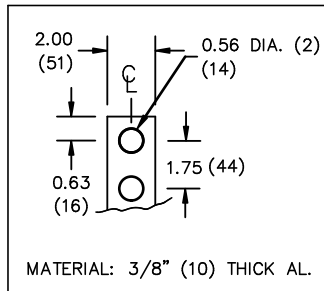
All Dimensions in inches

ENCLOSURE COLOR : ANSI 61 GREY - OUTDOOR

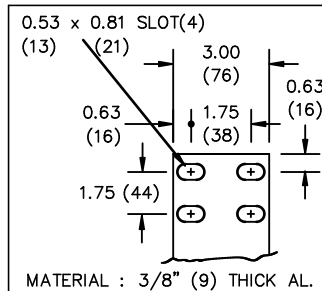
HV TERMINAL DETAIL



LV TERMINAL DETAIL



X0 TERMINAL DETAIL



CUSTOMER NOTES:

- HV TERMINATED AT TOP FRONT
- LV TERMINATED AT BOTTOM FRONT
- X0 TERMINATED AT BOTTOM FRONT
- 200% RATED NEUTRAL PROVIDED



TITLE: 3PH DISTRIBUTION TRANSFORMER

1	21/07/16	PP	EDB UPDATE	DES: CSHAH
NO.	DATE	BY	REVISION	SCALE: NTS

SHEET 2 OF 3

EDBSK3A0500K4S

1.1 httpd 2026/04/02 10:44

THIS DRAWING CONTAINS STRICTLY CONFIDENTIAL INFORMATION BELONGING TO HAMMOND POWER SOLUTIONS AND MUST NOT BE DISTRIBUTED OUTSIDE AUTHORIZED PARTIES.

ENCLOSURE BOTTOM VIEW



NOTE:
 WHEN BOTTOM CABLE ENTRY IS OPTED, THE SPACE USED FOR CONDUITS IN THE FRONT OF THE TRANSFORMER SHOULD NOT OBSTRUCT MORE THAN 50% OF THE FRONT AIR INTAKE AREA DEFINED BETWEEN THE BOTTOM PLATE AND THE SUPPORTING LEGS.
 SEE MANUAL FOR ADDITIONAL INFORMATION



TITLE: 3PH DISTRIBUTION TRANSFORMER ENCLOSURE BOTTOM VIEW

1	21/07/16	PP	EDB UPDATE	DES: CSHAH
NO.	DATE	BY	REVISION	SCALE: NTS

SHEET 3 OF 3

EDBSK3A0500K4S