




TITLE: 3PH DISTRIBUTION TRANSFORMER  
NAMEPLATE INFORMATION

4	21/07/16	PP	EDB UPDATE	DES: RBHATIA
3	20/03/17	PP	SEISMIC UPDATE	DATE: 15/12/22
NO.	DATE	BY	REVISION	SCALE: NTS

SHEET 1 OF 3

EDBSK3A0500KB3S

4.1 httpd 2026/06/15 21:50



**POWER SOLUTIONS**

Guelph, ONT Compton, CA Hyderabad, IN

**HPS Sentinel™ K**

Energy Efficient Distribution Transformer

Transformateur de Distribution à Bon Rendement Énergétique

Baraboo, WI Monterrey, MX Part No. SK3A0500KB3S

Cust. Ref. [ ]  
Ref. du Client [ ]

Phase 3

Type K

Cooling Refroidissement ANN

kVA 500

Temp. Rise Echauffement 150 °C

Temp Class Classe Temp 220 °C

Winding Enroulement AL

Frequency Fréquence Hz 60

Impedance % @ 170 °C 6.2

Encl Type Type De Coffrage 3R

Weight Poids lbs 3000

Serial No. No. de Serie [ ]

HV/HT 480V

BIL 10 kV

Term Bornes H1 H2 H3

LV/BT 208Y/120V

BIL 10 kV

Term Bornes X0 X1 X2 X3

Energy Regulations Règlement Energétique DOE 10 CFR PART 431:2016

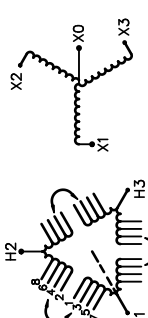
CEE ACT SOR/2018-201

Suitable for non-sinusoidal current load with K-factor not to exceed 13  
Convient à des courants non-sinusoidaux avec facteur K n'excédant pas 13

SPACINGS BETWEEN ANY VENTILATED ENCLOSURE PANEL AND ANY ADJACENT WALL SHALL BE A MINIMUM OF 12 INCHES  
ELECTROSTATIC SHIELD

VOLTS	CURRENT COURANT	% RATED VOLTAGE % NOMINALE	CONNECTION CONNECTION PAR PHASE
504	573	105	1-2
492	587	102.5	2-3
480	601	100	3-4
468	617	97.5	4-5
456	633	95	5-6
444	650	92.5	6-7
432	668	90	7-8

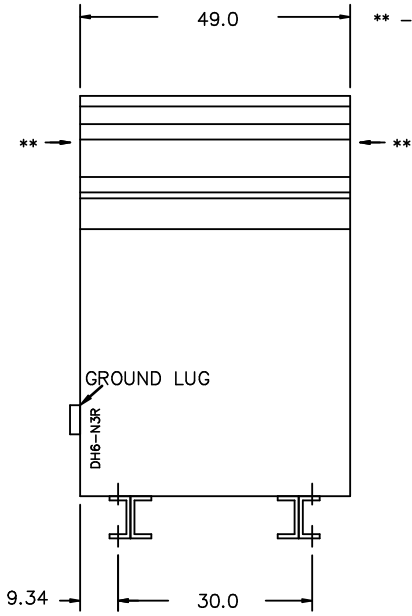
SEISMIC QUALIFICATIONS:  
AS FLOOR MOUNT ONLY  
IBC 2018/ASCE 7-16  
SDS<=2.0g Z/n=0 Ip=1.5



d000187hb

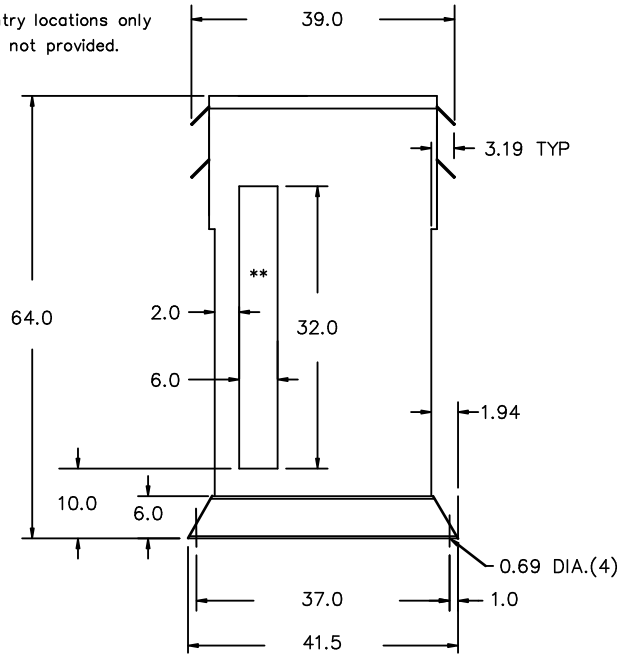
THIS DRAWING CONTAINS STRICTLY CONFIDENTIAL INFORMATION BELONGING TO HAMMOND POWER SOLUTIONS AND MUST NOT BE DISTRIBUTED OUTSIDE AUTHORIZED PARTIES.

FRONT VIEW



\*\* - Recommended cable entry locations only  
cutouts & gland plates not provided.

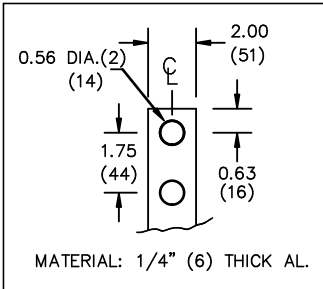
SIDE VIEW



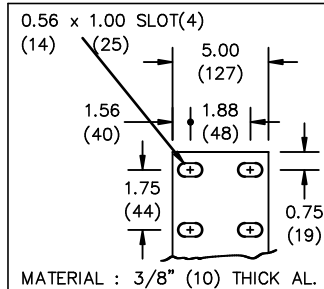
All Dimensions in inches

ENCLOSURE COLOR : ANSI 61 GREY - OUTDOOR

H.V.1. TERMINAL DETAIL



L.V.1. TERMINAL DETAIL



CUSTOMER NOTES:

- HV1 TERMINATED AT TOP FRONT
- LV1 TERMINATED AT BOTTOM FRONT

THIS DRAWING CONTAINS STRICTLY CONFIDENTIAL INFORMATION BELONGING TO HAMMOND POWER SOLUTIONS AND MUST NOT BE DISTRIBUTED OUTSIDE AUTHORIZED PARTIES.



TITLE: 3PH DISTRIBUTION TRANSFORMER

4	21/07/16	PP	EDB UPDATE	DES: RBHATIA
3	20/03/17	PP	SEISMIC UPDATE	DATE: 15/12/22
NO.	DATE	BY	REVISION	SCALE: NTS

SHEET 2 OF 3

EDBSK3A0500KB35

4.1 htpd 2026/06/15 21:50

ENCLOSURE BOTTOM VIEW



NOTE:  
 WHEN BOTTOM CABLE ENTRY IS OPTED, THE SPACE USED FOR CONDUITS IN THE FRONT OF THE TRANSFORMER SHOULD NOT OBSTRUCT MORE THAN 50% OF THE FRONT AIR INTAKE AREA DEFINED BETWEEN THE BOTTOM PLATE AND THE SUPPORTING LEGS.  
 SEE MANUAL FOR ADDITIONAL INFORMATION



TITLE: 3PH DISTRIBUTION TRANSFORMER  
 ENCLOSURE BOTTOM VIEW

4	21/07/16	PP	EDB UPDATE	DES: RBHATIA
3	20/03/17	PP	SEISMIC UPDATE	DATE: 15/12/22
NO.	DATE	BY	REVISION	SCALE: NTS

SHEET 3 OF 3

EDBSK3A0500K3S