



TITLE: 3PH DISTRIBUTION TRANSFORMER
NAMEPLATE INFORMATION


NO.	DATE	BY	REVISION	DES: RMOVVA
				DATE: 23/06/26
				SCALE: NTS

SHEET 1 OF 3

EDBSK3A0300KB9S

0.0 httpd 2026/04/04 00:58

THIS DRAWING CONTAINS STRICTLY CONFIDENTIAL INFORMATION BELONGING TO HAMMOND POWER SOLUTIONS AND MUST NOT BE DISTRIBUTED OUTSIDE AUTHORIZED PARTIES.



POWER SOLUTIONS

Guelph, ONT Compton, CA Hyderabad, IN

hammond HPS Sentinel™ K

Energy Efficient Distribution Transformer

Transformateur de Distribution à Bon Rendement Énergétique

Baraboo, WI Monterrey, MX Part No. SK3A0300KB9S

Cust. Ref. [] Serial No. []

Phase 3 HV/HT 480V 361A

Type K BIL 10 kV

Cooling ANN Term H1 H2 H3

kVA 300 LV/BT 208Y/120V 833A

Temp. Rise 150 °C BIL 10 kV

Temp Class 220 °C Term Bornes X0 X1 X2 X3

Winding AL Energy Regulations DOE 10 CFR PART 431:2016

Frequency 60 Reglements Energetique CEE ACT SOR/2018-201

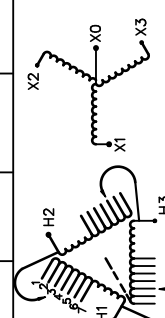
Impedance % 6.7 Suitable for non-sinusoidal current load with K-factor not to exceed 9

Encl Type 3R Convient à des courants non-sinusoidaux avec facteur K n'excédant pas

Weight lbs/kg 2100/953

SPACINGS BETWEEN ANY VENTILATED ENCLOSURE PANEL AND ANY ADJACENT WALL SHALL BE A MINIMUM OF 5 INCHES ELECTROSTATIC SHIELD

VOLTS	CURRENT COURANT	% RATED VOLTAGE NOMINALE	CONNECTION CONNECTION PAR PHASE
504	344	105	1
492	352	102.5	2
480	361	100	3
468	370	97.5	4
456	380	95	5
444	390	92.5	6
432	401	90	7



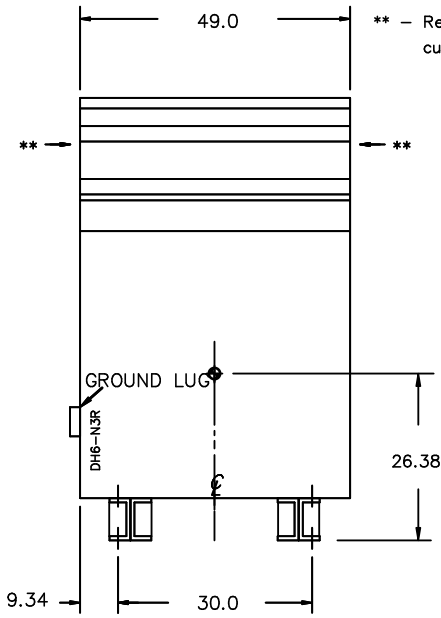
SEISMIC QUALIFICATIONS:
X0 FLOOR MOUNT ONLY
IBC 2018/ASCE 7-16
SDS<=2.0g Z/n=0 Ip=1.5

d000187hb



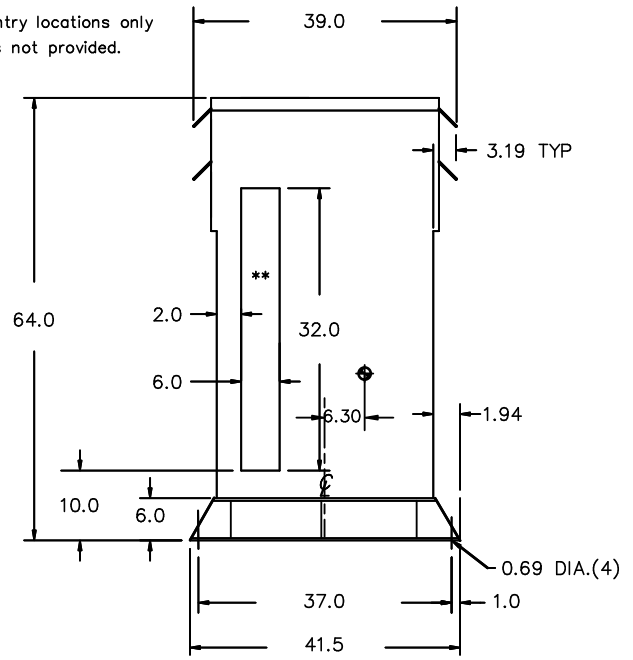
DRY TYPE TRANSFORMER E112313 ALSO VERIFIED IN ACCORDANCE TO ENERGY STANDARD CRO22-18 BY UNDERMETERS LABORATORIES INC. © 306

FRONT VIEW



** - Recommended cable entry locations only cutouts & gland plates not provided.

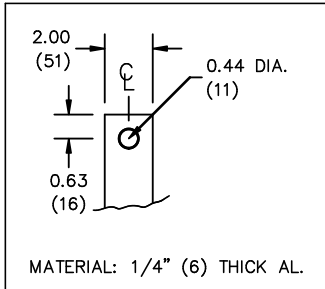
SIDE VIEW



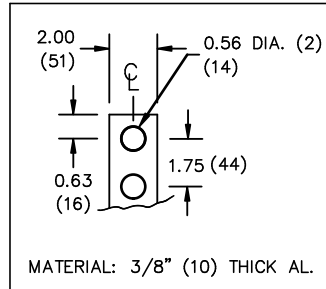
All Dimensions in inches

ENCLOSURE COLOR : ANSI 61 GREY - OUTDOOR

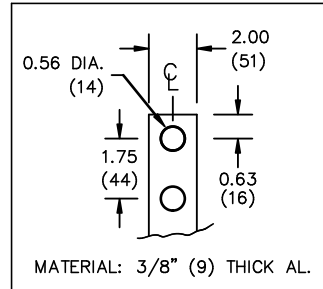
HV TERMINAL DETAIL



LV TERMINAL DETAIL



XO TERMINAL DETAIL



CUSTOMER NOTES:

- HV TERMINATED AT TOP FRONT
- LV TERMINATED AT BOTTOM FRONT
- XO TERMINATED AT BOTTOM FRONT
- 200% RATED NEUTRAL XO HAS TWO TERMINALS, DIVIDE CABLES EVENLY



TITLE: 3PH DISTRIBUTION TRANSFORMER

DES:	RMOVVA
DATE:	23/06/26
SCALE:	NTS

NO.	DATE	BY	REVISION

SHEET 2 OF 3

EDBSK3A0300KB9S

ENCLOSURE BOTTOM VIEW



NOTE:
 WHEN BOTTOM CABLE ENTRY IS OPTED, THE SPACE USED FOR CONDUITS IN THE FRONT OF THE TRANSFORMER SHOULD NOT OBSTRUCT MORE THAN 50% OF THE FRONT AIR INTAKE AREA DEFINED BETWEEN THE BOTTOM PLATE AND THE SUPPORTING LEGS.
 SEE MANUAL FOR ADDITIONAL INFORMATION



TITLE: 3PH DISTRIBUTION TRANSFORMER
 ENCLOSURE BOTTOM VIEW

				DES: RMOVVA
				DATE: 23/06/26
NO.	DATE	BY	REVISION	SCALE: NTS

SHEET 3 OF 3

EDBSK3A0300KB9S