



TITLE: 3PH DISTRIBUTION TRANSFORMER  
NAMEPLATE INFORMATION

3	21/07/16	PP	EDB UPDATE	DES: JWEN
2	20/03/17	PP	SEISMIC UPDATE	DATE: 15/11/17
NO.	DATE	BY	REVISION	SCALE: NTS

SHEET 1 OF 3

EDB SK3A0300KB3S

3.0 httpd 2026/04/04 09:46

THIS DRAWING CONTAINS STRICTLY CONFIDENTIAL INFORMATION BELONGING TO HAMMOND POWER SOLUTIONS AND MUST NOT BE DISTRIBUTED OUTSIDE AUTHORIZED PARTIES.

**POWER SOLUTIONS**

Guelph, ONT Compton, CA  
Hyderabad, IN

**HPS Sentinel™ K**

Energy Efficient Distribution Transformer

Transformateur de Distribution à Bon Rendement Énergétique

Baraboo, WI  
Monterrey, MX

Part No. SK3A0300KB3S

LR 3902

DRY TYPE TRANSFORMER E112313

ALSO VERIFIED IN ACCORDANCE TO ENERGY STANDARD CRO22-18 BY UNDERWRIERS LABORATORIES INC. © 316

**LISTED**

SPACINGS BETWEEN ANY VENTILATED ENCLOSURE PANEL AND ANY ADJACENT WALL SHALL BE A MINIMUM OF 5 INCHES EXCEPT WHEN WALL MOUNTED USING APPROVED WALL MOUNTING KIT ELECTROSTATIC SHIELD

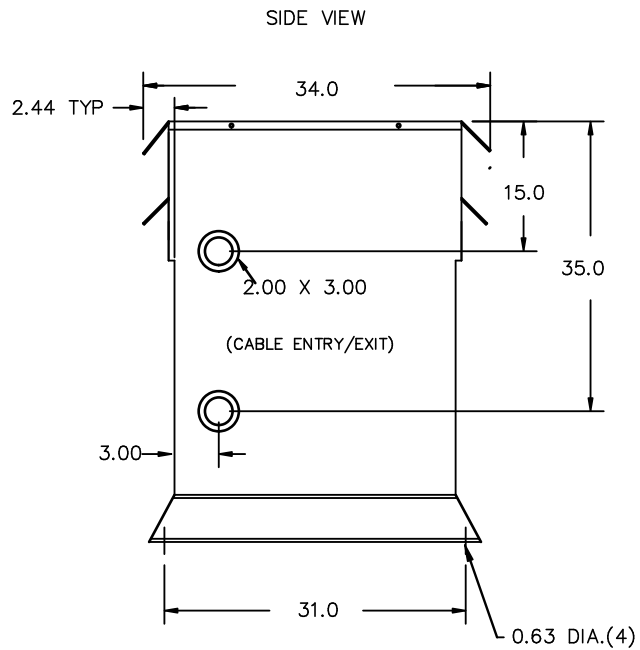
VOLTS	CURRENT COURANT	% RATED VOLTAGE % NOMINALE	CONNECTION CONNECTION PAR PHASE
504	344	105	1
492	352	102.5	2
480	361	100	3
468	370	97.5	4
456	380	95	5
444	390	92.5	6
432	401	90	7

Serial No. No. de Serie	
HV/HT	480V
BIL	10 kV
Term Bornes	H1 H2 H3
LV/BT	208Y/120V
BIL	10 kV
Term Bornes	X0 X1 X2 X3
Energy Regulations Réglements Énergétique	DOE 10 CFR PART 431:2016
CEE ACT SOR/2018-201	
Suitable for non-sinusoidal current load with K-factor not to exceed 13 Convient à des courants non-sinusoidaux avec facteur K n'excédant pas 13	

Cust. Ref. Ref. du Client	
Phase	3
Type	K
Cooling Refroidissement	ANN
kVA	300
Temp. Rise Echauffement	150 °C
Temp Class Classe Temp	220 °C
Winding Enroulement	AL
Frequency Fréquence Hz	60
Impedance % @ 170 °C	5
Encl Type Type De Coffrage	3R
Weight Poids lbs	1900

SEISMIC QUALIFICATIONS:  
XS FLOOR MOUNT ONLY  
IBC 2018/ASCE 7-16  
SDS<=2.0g Z/n=0 Ip=1.5

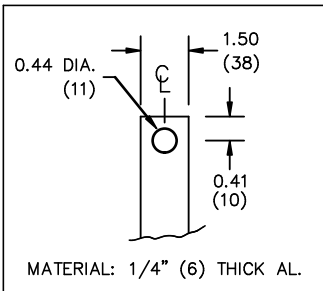
d000187hb



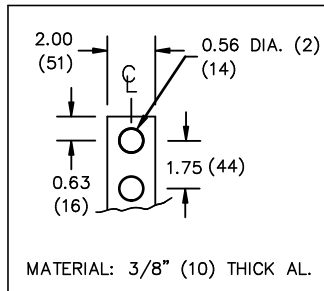
All Dimensions in inches

ENCLOSURE COLOR :ANSI 61 GREY – OUTDOOR

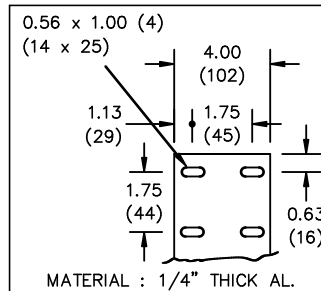
H.V.1. TERMINAL DETAIL



X1,2,3 TERMINAL DETAIL



X0 TERMINAL DETAIL



CUSTOMER NOTES:

- HV1 TERMINATED AT TOP FRONT
- X1,2,3 TERMINATED AT BOTTOM FRONT
- X0 TERMINATED AT BOTTOM FRONT
- X0 HAS QTY 2 PADS . DIVIDE CABLES EVENLY ON BOTH PADS



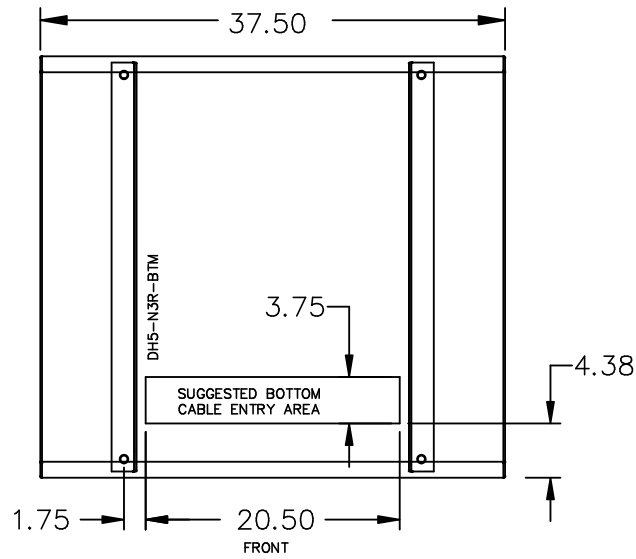
TITLE: 3PH DISTRIBUTION TRANSFORMER

3	21/07/16	PP	EDB UPDATE	DES: JWEN
2	20/03/17	PP	SEISMIC UPDATE	DATE: 15/11/17
NO.	DATE	BY	REVISION	SCALE: NTS

SHEET 2 OF 3

EDBSK3A0300K835

ENCLOSURE BOTTOM VIEW



NOTE:  
 WHEN BOTTOM CABLE ENTRY IS OPTED, THE SPACE USED FOR CONDUITS IN THE FRONT OF THE TRANSFORMER SHOULD NOT OBSTRUCT MORE THAN 50% OF THE FRONT AIR INTAKE AREA DEFINED BETWEEN THE BOTTOM PLATE AND THE SUPPORTING LEGS.  
 SEE MANUAL FOR ADDITIONAL INFORMATION



TITLE: 3PH DISTRIBUTION TRANSFORMER  
 ENCLOSURE BOTTOM VIEW

NO.	DATE	BY	REVISION	SCALE:
3	21/07/16	PP	EDB UPDATE	DES: JWEN
2	20/03/17	PP	SEISMIC UPDATE	DATE: 15/11/17
				SCALE: NTS

SHEET 3 OF 3

EDBSK3A0300K375