



TITLE: 3PH DISTRIBUTION TRANSFORMER  
NAMEPLATE INFORMATION

NO.	DATE	BY	REVISION	DES: RMOVVA
				DATE: 21/12/15
				SCALE: NTS

SHEET 1 OF 3

EDBSK3A0225PK4S

0.0 httpd 2026/04/04 21:29

THIS DRAWING CONTAINS STRICTLY CONFIDENTIAL INFORMATION BELONGING TO HAMMOND POWER SOLUTIONS AND MUST NOT BE DISTRIBUTED OUTSIDE AUTHORIZED PARTIES.

**POWER SOLUTIONS**

Guelph, ONT Compton, CA  
Hyderabad, IN Compton, CA

**HPS Sentinel™ K**

Energy Efficient Distribution Transformer

Transformateur de Distribution à Bon Rendement Énergétique

Baraboo, WI Monterrey, MX

Part No. SK3A0225PK4S

LR 3902

DRY TYPE TRANSFORMER E112313

ALSO VERIFIED IN ACCORDANCE TO ENERGY STANDARD CROZ2-18 BY UNDERWITERS LABORATORIES INC. 3106

**LISTED**

SPACINGS BETWEEN ANY VENTILATED ENCLOSURE PANEL AND ANY ADJACENT WALL SHALL BE A MINIMUM OF 5 INCHES ELECTROSTATIC SHIELD

VOLTS	CURRENT COURANT	% RATED VOLTAGE % NOMINALE	CONNECTION CONNECTION PAR PHASE
630	206	105	1
615	211	102.5	2
600	217	100	3
585	222	97.5	4
570	228	95	5
555	234	92.5	6
540	241	90	7

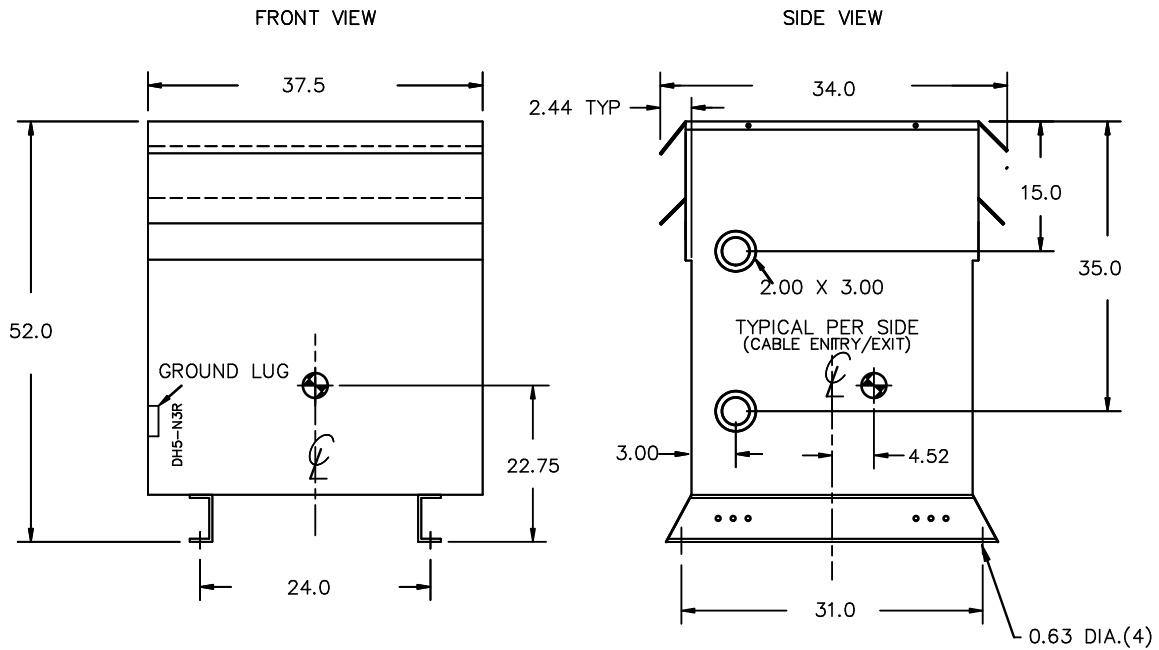
Serial No. No. de Serie	
HV/HT	217A
BIL	10 kV
Term Bornes	H1 H2 H3
LV/BT	480Y/277V 271A
BIL	10 kV
Term Bornes	X0 X1 X2 X3
Energy Regulations Réglements Énergétique	DOE 10 CFR PART 431:2016
CEE ACT SOR/2018-201	

Cust. Ref. Ref. du Client	
Phase	3
Type	K
Cooling Refroidissement	ANN
kVA	225
Temp. Rise Echauffement	150 °C
Temp Class Classe Temp	220 °C
Winding Enroulement	AL
Frequency Fréquence Hz	60
Impedance % @ 170 °C	6.4
Encl Type Type De Coffrage	3R
Weight lbs/kg Poids	1470/667

Suitable for non-sinusoidal current load with K-factor not to exceed 4  
Convient à des courants non-sinusoidaux avec facteur K n'excédant pas 4

SEISMIC QUALIFICATIONS:  
X0 FLOOR MOUNT ONLY  
IBC 2018/ASCE 7-16  
SDS<=2.0g Z/n=0 Ip=1.5

d000187hb



All Dimensions in inches

ENCLOSURE COLOR :ANSI 61 GREY – OUTDOOR

HV TERMINAL DETAIL

LV TERMINAL DETAIL

X0 TERMINAL DETAIL

MECHANICAL TYPE LUGS INCLUDED  
SUITABLE FOR 600MCM-2 CU/AL  
CONDUCTORS  
1 CONDUCTOR PER PHASE

MECHANICAL TYPE LUGS INCLUDED  
SUITABLE FOR 350MCM-6 CU/AL  
CONDUCTORS  
2 CONDUCTORS PER PHASE

MECHANICAL TYPE LUGS INCLUDED  
SUITABLE FOR 600MCM-2 CU/AL  
CONDUCTORS  
1 CONDUCTOR PER PHASE

CUSTOMER NOTES:

- HV TERMINATED AT TOP FRONT
- LV TERMINATED AT BOTTOM FRONT
- X0 TERMINATED AT BOTTOM FRONT
- 200% RATED NEUTRAL X0 HAS QTY 2 LUGS



TITLE: 3PH DISTRIBUTION TRANSFORMER

DES:	RMOVVA
DATE:	21/12/15
SCALE:	NTS

NO.	DATE	BY	REVISION

SHEET 2 OF 3

EDBSK3A0225PK4S

ENCLOSURE BOTTOM VIEW



NOTE:  
 WHEN BOTTOM CABLE ENTRY IS OPTED, THE SPACE USED FOR CONDUITS IN THE FRONT OF THE TRANSFORMER SHOULD NOT OBSTRUCT MORE THAN 50% OF THE FRONT AIR INTAKE AREA DEFINED BETWEEN THE BOTTOM PLATE AND THE SUPPORTING LEGS.  
 SEE MANUAL FOR ADDITIONAL INFORMATION



TITLE: 3PH DISTRIBUTION TRANSFORMER  
 ENCLOSURE BOTTOM VIEW

				DES: RMOVVA
				DATE: 21/12/15
NO.	DATE	BY	REVISION	SCALE: NTS

SHEET 3 OF 3

EDBSK3A0225PK4S