



TITLE: 3PH DISTRIBUTION TRANSFORMER
NAMEPLATE INFORMATION

NO.	DATE	BY	REVISION	DES: RMOVVA
				DATE: 23/05/08
				SCALE: NTS

SHEET 1 OF 3

EDBSK3A0225PB9S

0.0 httpd 2026/06/24 22:57

THIS DRAWING CONTAINS STRICTLY CONFIDENTIAL INFORMATION BELONGING TO HAMMOND POWER SOLUTIONS AND MUST NOT BE DISTRIBUTED OUTSIDE AUTHORIZED PARTIES.

POWER SOLUTIONS
Guelph, ONT
Compton, CA

HPS Sentinel™ K
Energy Efficient Distribution Transformer
Transformateur de Distribution à Bon Rendement Énergétique

Hyderabad, IN
Compton, CA
Monterrey, MX

Part No. **SK3A0225PB9S**

Cust. Ref. []
Ref. du Client []

Phase 3

Type K

Cooling Refroidissement ANN

kVA 225

Temp. Rise Echauffement 150 °C

Temp Class Classe Temp 220 °C

Winding Enroulement AL

Frequency Fréquence Hz 60

Impedance % @ 170 °C 5.4

Encl Type Type De Coffrage 3R

Weight lbs/kg Poids 1810/822

Serial No. No. de Serie []

HV/HT 600V 217A

BIL 10 kV

Term Bornes H1 H2 H3

LV/BT 208Y/120V 625A

BIL 10 kV

Term Bornes X0 X1 X2 X3

Energy Regulations Règlement Energétique DOE 10 CFR PART 431:2016

CEE ACT SOR/2018-201

Suitable for non-sinusoidal current load with K-factor not to exceed 9
Convient à des courants non-sinusoidaux avec facteur K n'excédant pas 9

Transformer TRANSFORMER E112313

DRY TYPE TRANSFORMER E112313

ALSO VERIFIED IN ACCORDANCE TO ENERGY STANDARD CROZ2-18 BY UNDERMETERS LABORATORIES INC. 316

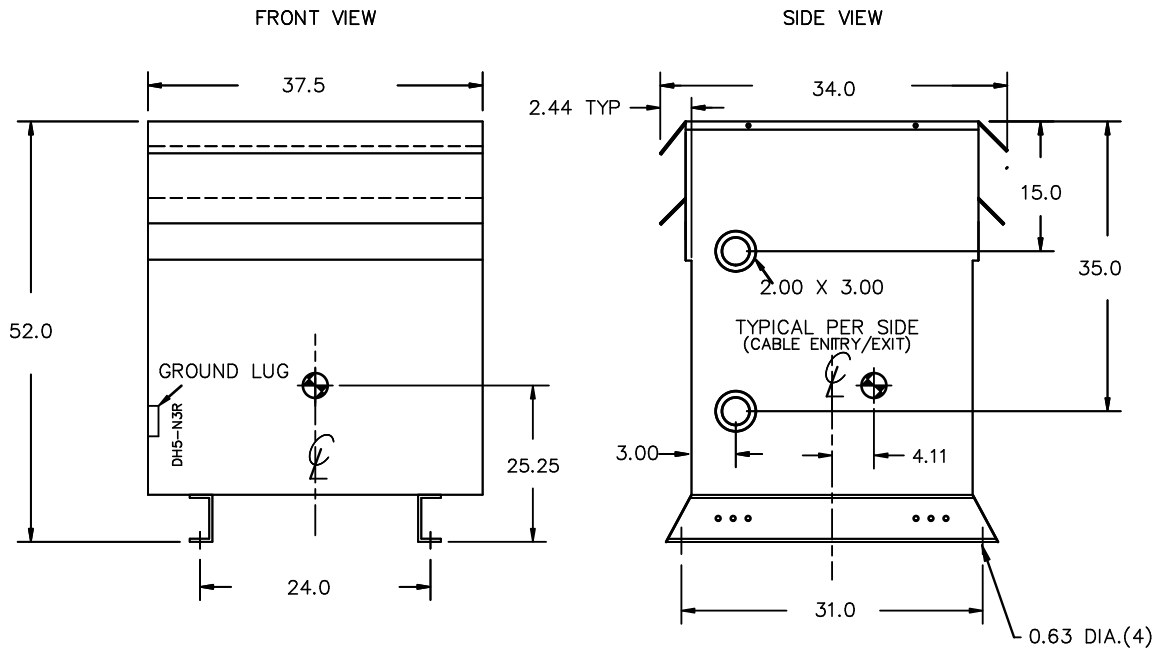
LISTED

SPACINGS BETWEEN ANY VENTILATED ENCLOSURE PANEL AND ANY ADJACENT WALL SHALL BE A MINIMUM OF 5 INCHES

VOLTS	CURRENT COURANT	% RATED VOLTAGE NOMINALE	CONNECTION CONNECTION PAR PHASE
630	206	105	1
615	211	102.5	2
600	217	100	3
585	222	97.5	4
570	228	95	5
555	234	92.5	6
540	241	90	7

SEISMIC QUALIFICATIONS:
X0 FLOOR MOUNT ONLY
IBC 2018/ASCE 7-16
SDS<=2.0g Z/n=0 Ip=1.5

d000187hb



All Dimensions in inches

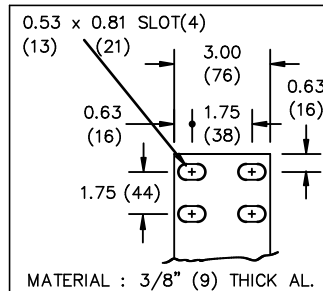
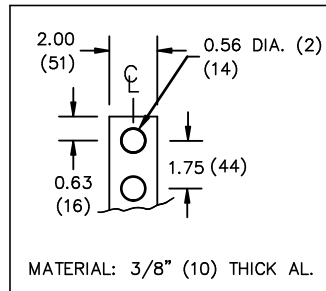
ENCLOSURE COLOR :ANSI 61 GREY – OUTDOOR

HV TERMINAL DETAIL

LV TERMINAL DETAIL

XO TERMINAL DETAIL

MECHANICAL TYPE LUGS INCLUDED
SUITABLE FOR 600MCM-2 CU/AL
CONDUCTORS
1 CONDUCTOR PER PHASE



CUSTOMER NOTES:

- HV TERMINATED AT TOP FRONT
- LV TERMINATED AT BOTTOM FRONT
- XO TERMINATED AT BOTTOM FRONT
- 200% RATED NEUTRAL PROVIDED



TITLE: 3PH DISTRIBUTION TRANSFORMER

DES:	RMOVVA
DATE:	23/05/08
SCALE:	NTS

NO.	DATE	BY	REVISION

SHEET 2 OF 3

EDBSK3A0225PB9S

ENCLOSURE BOTTOM VIEW



NOTE:
 WHEN BOTTOM CABLE ENTRY IS OPTED, THE SPACE USED FOR CONDUITS IN THE FRONT OF THE TRANSFORMER SHOULD NOT OBSTRUCT MORE THAN 50% OF THE FRONT AIR INTAKE AREA DEFINED BETWEEN THE BOTTOM PLATE AND THE SUPPORTING LEGS.
 SEE MANUAL FOR ADDITIONAL INFORMATION



TITLE: 3PH DISTRIBUTION TRANSFORMER
 ENCLOSURE BOTTOM VIEW

				DES: RMOVVA
				DATE: 23/05/08
NO.	DATE	BY	REVISION	SCALE: NTS

SHEET 3 OF 3

EDBSK3A0225PB9S