



TITLE: 3PH DISTRIBUTION TRANSFORMER
NAMEPLATE INFORMATION

1	21/07/16	PP	EDB UPDATE	DES: PPICASSI
NO.	DATE	BY	REVISION	SCALE: NTS

SHEET 1 OF 3

EDBSK3A0225PB4K

1.0 httpd 2026/04/02 03:22

THIS DRAWING CONTAINS STRICTLY CONFIDENTIAL INFORMATION BELONGING TO HAMMOND POWER SOLUTIONS AND MUST NOT BE DISTRIBUTED OUTSIDE AUTHORIZED PARTIES.

POWER SOLUTIONS
Guelph, ONT
Compton, CA

HPS Sentinel™ K
Energy Efficient Distribution Transformer
Transformateur de Distribution à Bon Rendement Énergétique

Baraboo, WI
Monterrey, MX

Hyderabad, IN Part No. **SK3A0225PB4K**

Cust. Ref. []
Ref. du Client []

Phase 3

Type K

Cooling Refroidissement ANN

kVA 225

Temp. Rise Echauffement 150 °C

Temp Class Classe Temp 220 °C

Winding Enroulement CU

Frequency Fréquence Hz 60

Impedance % @ 170 °C 3.6

Encl Type Type De Coffrage 3R

Weight Poids lbs 1700

Serial No. No. de Serie []

HV/HT 600V 217A

BIL 10 kV

Term Bornes H1 H2 H3

LV/BT 208Y/120V 625A

BIL 10 kV

Term Bornes X0 X1 X2 X3

Energy Regulations Règlements Énergétique DOE 10 CFR PART 431:2016

CEE ACT SOR/2018-201

Suitable for non-sinusoidal current load with K-factor not to exceed 4
Convient à des courants non-sinusoidaux avec facteur K n'excédant pas 4

SPACINGS BETWEEN ANY VENTILATED ENCLOSURE PANEL AND ANY ADJACENT WALL SHALL BE A MINIMUM OF 5 INCHES
ÉLECTROSTATIC SHIELD

VOLTS	CURRENT COURANT	% RATED VOLTAGE NOMINALE	CONNECTION CONNECTION PAR PHASE
630	206	105	1
615	211	102.5	2
600	217	100	3
585	222	97.5	4
570	228	95	5
555	234	92.5	6
540	241	90	7

SEISMIC QUALIFICATIONS:
AS FLOOR MOUNT ONLY
IBC 2018/ASCE 7-16
SDS<=2.0g Z/n=1 Ip=1.5

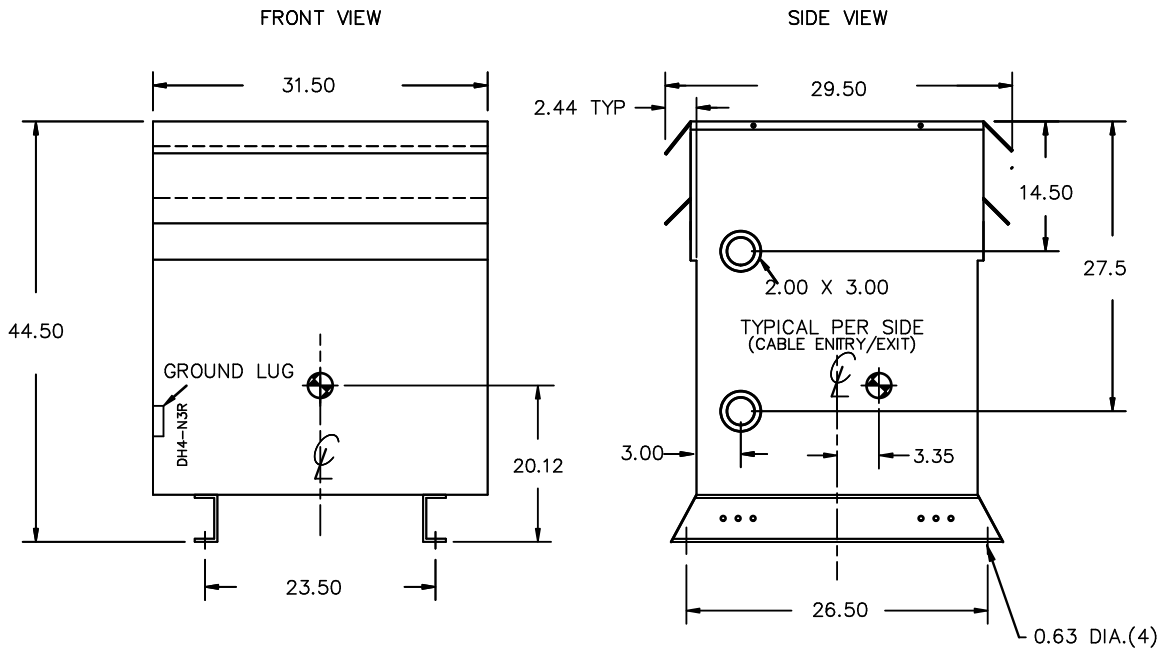
Also verified in accordance to Energy Standard CROZ-18 by Underwriters Laboratories Inc. 316

SP @ LR 3902

DRY TYPE TRANSFORMER E112313

LISTED

d000187hb



All Dimensions in inches

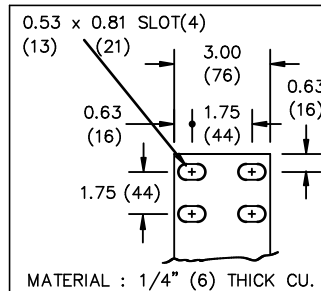
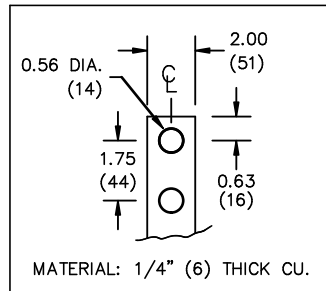
ENCLOSURE COLOR :ANSI 61 GREY – OUTDOOR

HV TERMINAL DETAIL

LV TERMINAL DETAIL

XO TERMINAL DETAIL

MECHANICAL TYPE LUGS INCLUDED
 SUITABLE FOR 600MCM-2 CU/AL
 CONDUCTORS
 1 CONDUCTOR PER PHASE



CUSTOMER NOTES:

- HV TERMINATED AT TOP FRONT
- LV TERMINATED AT BOTTOM FRONT
- XO TERMINATED AT BOTTOM FRONT
- 200% RATED NEUTRAL PROVIDED

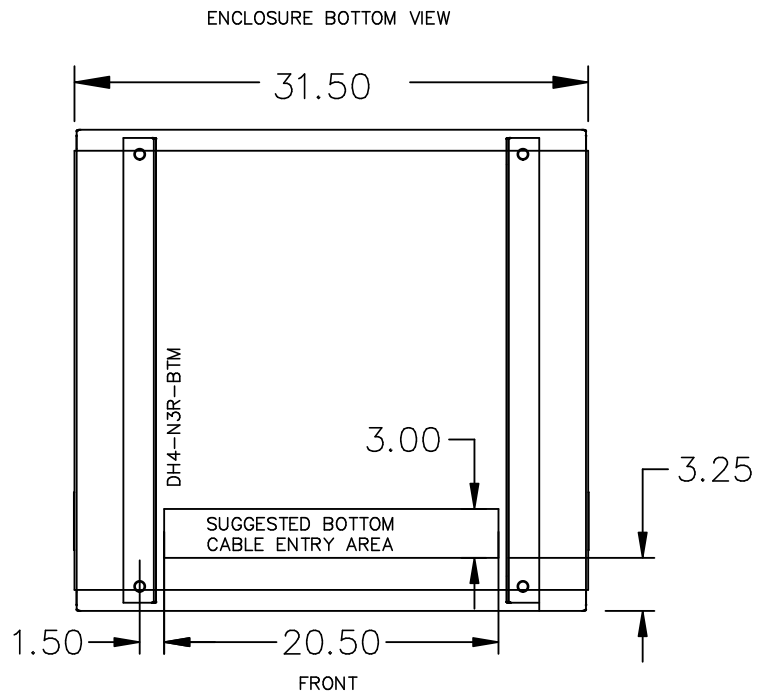


TITLE: 3PH DISTRIBUTION TRANSFORMER

1	21/07/16	PP	EDB UPDATE	DES: PPICASSI
NO.	DATE	BY	REVISION	SCALE: NTS

SHEET 2 OF 3

EDBSK3A0225PB4K



NOTE:
 WHEN BOTTOM CABLE ENTRY IS OPTED, THE SPACE USED FOR CONDUITS IN THE FRONT OF THE TRANSFORMER SHOULD NOT OBSTRUCT MORE THAN 50% OF THE FRONT AIR INTAKE AREA DEFINED BETWEEN THE BOTTOM PLATE AND THE SUPPORTING LEGS.
 SEE MANUAL FOR ADDITIONAL INFORMATION



TITLE: 3PH DISTRIBUTION TRANSFORMER
 ENCLOSURE BOTTOM VIEW

1	21/07/16	PP	EDB UPDATE	DES: PPLICASSI
NO.	DATE	BY	REVISION	SCALE: NTS

SHEET 3 OF 3

EDBSK3A0225PB4K