



TITLE: 3PH DISTRIBUTION TRANSFORMER
NAMEPLATE INFORMATION

2	21/07/16	PP	EDB UPDATE	DES: DCORTEZ
1	20/03/17	PP	SEISMIC UPDATE	DATE: 18/02/21
NO.	DATE	BY	REVISION	SCALE: NTS

SHEET 1 OF 3

EDBSK3A0225PB3K

2.1 httpd 2026/04/04 14:57

THIS DRAWING CONTAINS STRICTLY CONFIDENTIAL INFORMATION BELONGING TO HAMMOND POWER SOLUTIONS AND MUST NOT BE DISTRIBUTED OUTSIDE AUTHORIZED PARTIES.

POWER SOLUTIONS
Guelph, ONT Compton, CA
Hyderabad, IN

HPS Sentinel™ K
Energy Efficient Distribution Transformer
Transformateur de Distribution à Bon Rendement Énergétique

LR 3902
DRY TYPE TRANSFORMER
E112313
ALSO VERIFIED IN ACCORDANCE TO ENERGY STANDARD CROZ-18 BY UNDERMETERS LABORATORIES INC. © 316

Part No. SK3A0225PB3K

Cust. Ref. Ref. du Client	Serial No. No. de Serie	HV/HT	600V	217A
Phase	3	BIL	10 kV	
Type	K	Term Bornes	H1 H2 H3	
Cooling Refroidissement	ANN	LV/BT	208Y/120V	625A
kVA	225	BIL	10 kV	
Temp. Rise Echauffement	150 °C	Term Bornes	X0 X1 X2 X3	
Temp Class	220 °C	Energy Regulations Règlements Énergétique	DOE 10 CFR PART 431:2016	
Winding Enroulement	CU	Frequency Fréquence Hz	60	
Impedance % @ 170 °C	3.3	Impedance % Type De Coffrage	3R	
Encl Type Type De Coffrage	3R	Weight lbs/kg	1640/744	

TRANSFORMER 8 03423 13045 19

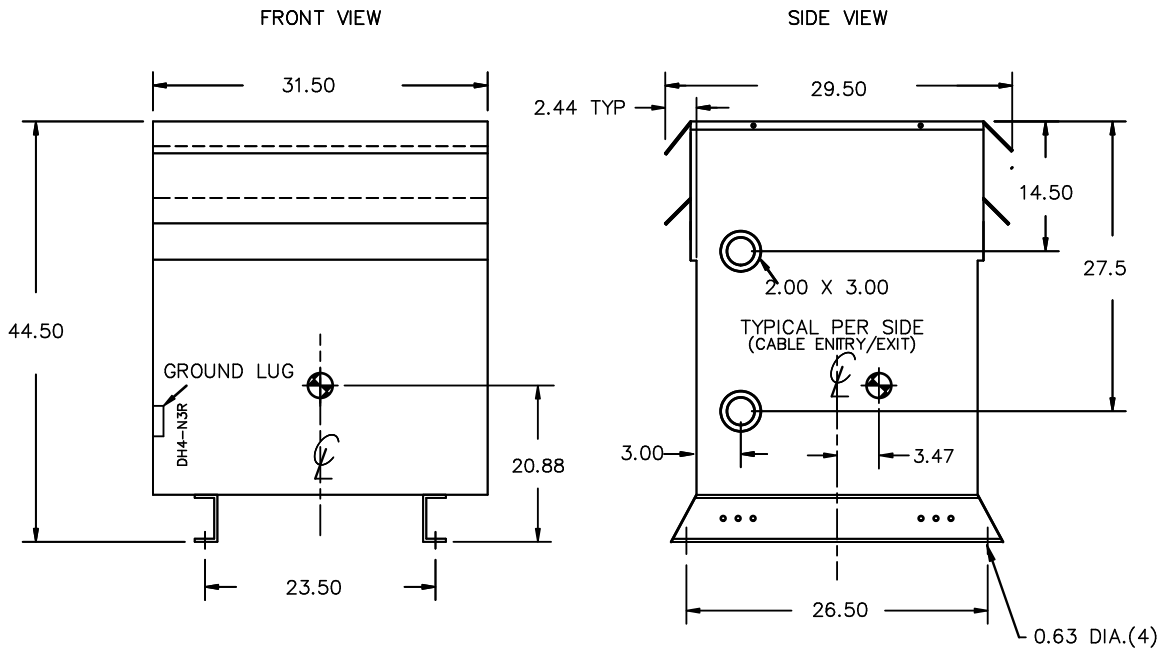
LISTED

VOLTS	CURRENT COURANT	% RATED VOLTAGE % NOMINALE	CONNECTION CONNECTION PAR PHASE
632	206	105.3	1
616	211	102.7	2
600	217	100	3
584	222	97.3	4
568	229	94.7	5
552	235	92	6
536	242	89.3	7

SPACINGS BETWEEN ANY VENTILATED ENCLOSURE PANEL AND ANY ADJACENT WALL SHALL BE A MINIMUM OF 5 INCHES
ÉLECTROSTATIC SHIELD

SEISMIC QUALIFICATIONS:
XS FLOOR MOUNT ONLY
IBC 2018/ASCE 7-16
SDS<=2.0g Z/n=1 Ip=1.5

d000187hb



All Dimensions in inches

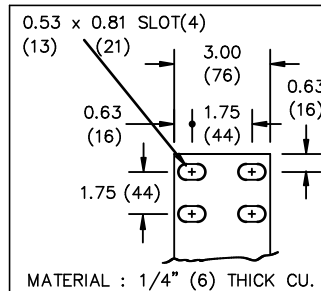
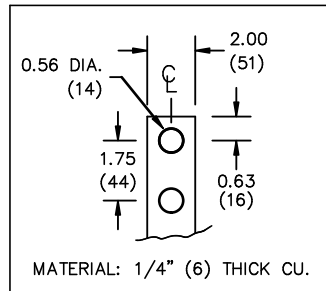
ENCLOSURE COLOR :ANSI 61 GREY – OUTDOOR

HV TERMINAL DETAIL

LV TERMINAL DETAIL

X0 TERMINAL DETAIL

MECHANICAL TYPE LUGS INCLUDED
SUITABLE FOR 600MCM-2 CU/AL
CONDUCTORS
1 CONDUCTOR PER PHASE



CUSTOMER NOTES:

- HV TERMINATED AT TOP FRONT
- LV TERMINATED AT BOTTOM FRONT
- X0 TERMINATED AT BOTTOM FRONT
- 200% RATED NEUTRAL PROVIDED

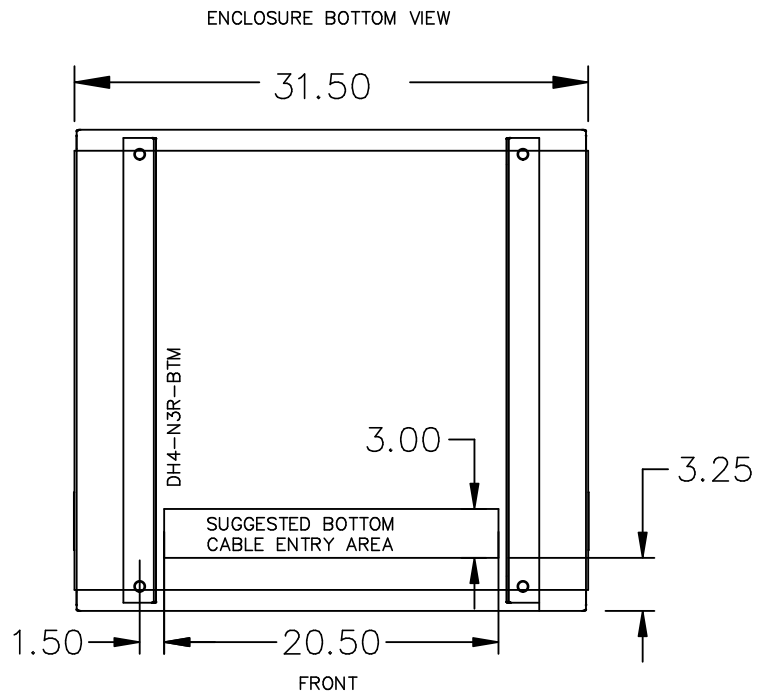


TITLE: 3PH DISTRIBUTION TRANSFORMER

2	21/07/16	PP	EDB UPDATE	DES: DCORTEZ
1	20/03/17	PP	SEISMIC UPDATE	DATE: 18/02/21
NO.	DATE	BY	REVISION	SCALE: NTS

SHEET 2 OF 3

EDBSK3A0225PB3K



NOTE:
 WHEN BOTTOM CABLE ENTRY IS OPTED, THE SPACE USED FOR CONDUITS IN THE FRONT OF THE TRANSFORMER SHOULD NOT OBSTRUCT MORE THAN 50% OF THE FRONT AIR INTAKE AREA DEFINED BETWEEN THE BOTTOM PLATE AND THE SUPPORTING LEGS.
 SEE MANUAL FOR ADDITIONAL INFORMATION



TITLE: 3PH DISTRIBUTION TRANSFORMER
 ENCLOSURE BOTTOM VIEW

2	21/07/16	PP	EDB UPDATE	DES: DCORTEZ
1	20/03/17	PP	SEISMIC UPDATE	DATE: 18/02/21
NO.	DATE	BY	REVISION	SCALE: NTS

SHEET 3 OF 3

EDBSK3A0225PB3K