



TITLE: 3PH DISTRIBUTION TRANSFORMER  
NAMEPLATE INFORMATION

3	21/07/16	PP	EDB UPDATE	DES: ASETH
2	20/03/12	PP	NPL UPDATE	DATE: 16/12/09
NO.	DATE	BY	REVISION	SCALE: NTS

SHEET 1 OF 3

EDBSK3A0225KK4S

3.0 httpd 2026/05/22 12:38

**hammond**  
POWER SOLUTIONS

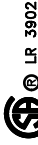
HPS Sentinel™ K

Energy Efficient Distribution Transformer

Transformateur de Distribution à Bon Rendement Énergétique

Guelph, ONT Baraboo, WI  
Compton, CA Monterrey, MX

Part No. SK3A0225KK4S



LR 3902



DRY TYPE TRANSFORMER E112313

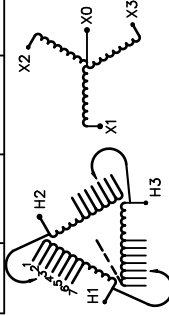
LISTED



8 03423 12895 1  
ALSO VERIFIED IN ACCORDANCE TO ENERGY STANDARD CRO22-18 BY UNDERWRIERS LABORATORIES INC. © 3/06

SPACINGS BETWEEN ANY VENTILATED ENCLOSURE PANEL AND ANY ADJACENT WALL SHALL BE A MINIMUM OF 5 INCHES EXCEPT WHEN WALL MOUNTED USING APPROVED WALL MOUNTING KIT ELECTROSTATIC SHIELD

VOLTS	CURRENT COURANT	% RATED VOLTAGE % NOMINALE	CONNECTION CONNECTION PAR PHASE
504	258	105	1
492	264	102.5	2
480	271	100	3
468	278	97.5	4
456	285	95	5
444	293	92.5	6
432	301	90	7

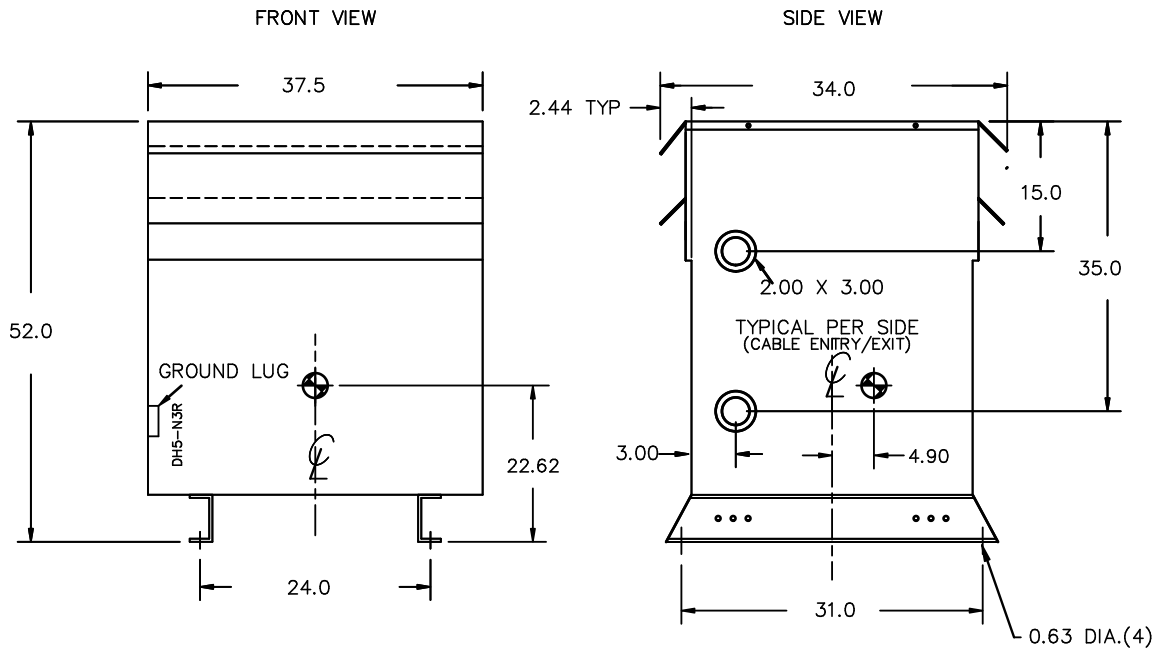


SEISMIC QUALIFICATIONS:  
AS FLOOR MOUNT ONLY  
IBC 2018/ASCE 7-16  
SDS<=2.0g Z/n=0 Ip=1.5

Cust. Ref. Ref. du Client	Serial No. No. de Serie
Phase	HV/HT 480V 271A
Type	BIL 10 kV
Cooling Refroidissement	Term Bornes H1 H2 H3
kVA	LV/BT 480Y/277V 271A
Temp. Rise Echauffement	BIL 10 kV
Temp Class Classe Temp	Term Bornes X0 X1 X2 X3
Winding Enroulement	Energy Regulations Règlements Énergétique DOE 10 CFR PART 431:2016
Frequency Fréquence Hz	CEE ACT SOR/2018-201
Impedance % @ 170°C	Suitable for non-sinusoidal current load with K-factor not to exceed 4 Convient à des courants non-sinusoidaux avec facteur K n'excédant pas 4
Encl Type Type De Coffrage	3R
Weight Poids lbs	1450

d000187hb

THIS DRAWING CONTAINS STRICTLY CONFIDENTIAL INFORMATION BELONGING TO HAMMOND POWER SOLUTIONS AND MUST NOT BE DISTRIBUTED OUTSIDE AUTHORIZED PARTIES.



All Dimensions in inches

ENCLOSURE COLOR :ANSI 61 GREY – OUTDOOR

HV TERMINAL DETAIL

LV TERMINAL DETAIL

XO TERMINAL DETAIL

MECHANICAL TYPE LUGS INCLUDED  
SUITABLE FOR 350MCM-6 CU/AL  
CONDUCTORS  
2 CONDUCTORS PER PHASE

MECHANICAL TYPE LUGS INCLUDED  
SUITABLE FOR 350MCM-6 CU/AL  
CONDUCTORS  
2 CONDUCTORS PER PHASE

MECHANICAL TYPE LUGS INCLUDED  
SUITABLE FOR 600MCM-2 CU/AL  
CONDUCTORS  
1 CONDUCTOR PER PHASE

CUSTOMER NOTES:

- HV TERMINATED AT TOP FRONT
- LV TERMINATED AT BOTTOM FRONT
- XO TERMINATED AT BOTTOM FRONT
- 200% RATED NEUTRAL XO HAS QTY 2 LUGS



TITLE: 3PH DISTRIBUTION TRANSFORMER

3	21/07/16	PP	EDB UPDATE	DES: ASETH
2	20/03/12	PP	NPL UPDATE	DATE: 16/12/09
NO.	DATE	BY	REVISION	SCALE: NTS

SHEET 2 OF 3

EDBSK3A0225K44S

ENCLOSURE BOTTOM VIEW



NOTE:  
 WHEN BOTTOM CABLE ENTRY IS OPTED, THE SPACE USED FOR CONDUITS IN THE FRONT OF THE TRANSFORMER SHOULD NOT OBSTRUCT MORE THAN 50% OF THE FRONT AIR INTAKE AREA DEFINED BETWEEN THE BOTTOM PLATE AND THE SUPPORTING LEGS.  
 SEE MANUAL FOR ADDITIONAL INFORMATION



TITLE: 3PH DISTRIBUTION TRANSFORMER  
 ENCLOSURE BOTTOM VIEW

3	21/07/16	PP	EDB UPDATE	DES: ASETH
2	20/03/12	PP	NPL UPDATE	DATE: 16/12/09
NO.	DATE	BY	REVISION	SCALE: NTS

SHEET 3 OF 3

EDBSK3A0225KK4S