




TITLE: 3PH DISTRIBUTION TRANSFORMER  
NAMEPLATE INFORMATION

1	21/07/16	PP	EDB UPDATE	DES: CSHAH
NO.	DATE	BY	REVISION	SCALE: NTS

SHEET 1 OF 3


EDBSK3A0225KK3S

1.0 httpd 2026/05/27 13:06



**POWER SOLUTIONS**  
Guelph, ONT  
Compton, CA

**HPS Sentinel™ K**  
Energy Efficient Distribution Transformer  
Transformateur de Distribution à Bon Rendement Énergétique



LR 3902  
DRY TYPE TRANSFORMER  
E112313  
ALSO VERIFIED IN ACCORDANCE TO ENERGY STANDARD C802.2-18 BY UNDERWRIERS LABORATORIES INC. © 316

Hyderabad, IN    Baraboo, WI    Monterrey, MX    Part No. SK3A0225KK3S

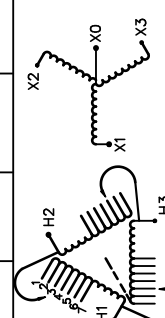
Cust. Ref. Ref. du Client	Serial No. No. de Serie	HV/HT	480V	271A	
Phase	3	BIL	10 kV		
Type	K	Term Bornes	H1 H2 H3		
Cooling Refroidissement	ANN	LV/BT	480Y/277V	271A	
kVA	225	BIL	10 kV		
Temp. Rise Echauffement	150 °C	Term Bornes	X0 X1 X2 X3		
Temp Class	220 °C	Energy Regulations Règlements Énergétique	DOE 10 CFR PART 431:2016		
Winding Enroulement	AL	Frequency Fréquence Hz	60		
Impedance % ① 170 °C	5.5	Impedance % Type De Coiffage	3R		
Encl Type Type De Coiffage	1650	Weight Poids lbs			

Serial No. [ ]    HV/HT 480V    BIL 10 kV    Term Bornes H1 H2 H3    LV/BT 480Y/277V    271A    BIL 10 kV    Term Bornes X0 X1 X2 X3    Energy Regulations Règlements Énergétique DOE 10 CFR PART 431:2016    Frequency Fréquence Hz 60    Impedance % ① 170 °C 5.5    Encl Type Type De Coiffage 3R    Weight Poids lbs 1650

VOLTS	CURRENT COURANT	% RATED VOLTAGE % NOMINALE	CONNECTION FOR CONNECTION PAR PHASE
504	258	105	1
492	264	102.5	2
480	271	100	3
468	278	97.5	4
456	285	95	5
444	293	92.5	6
432	301	90	7

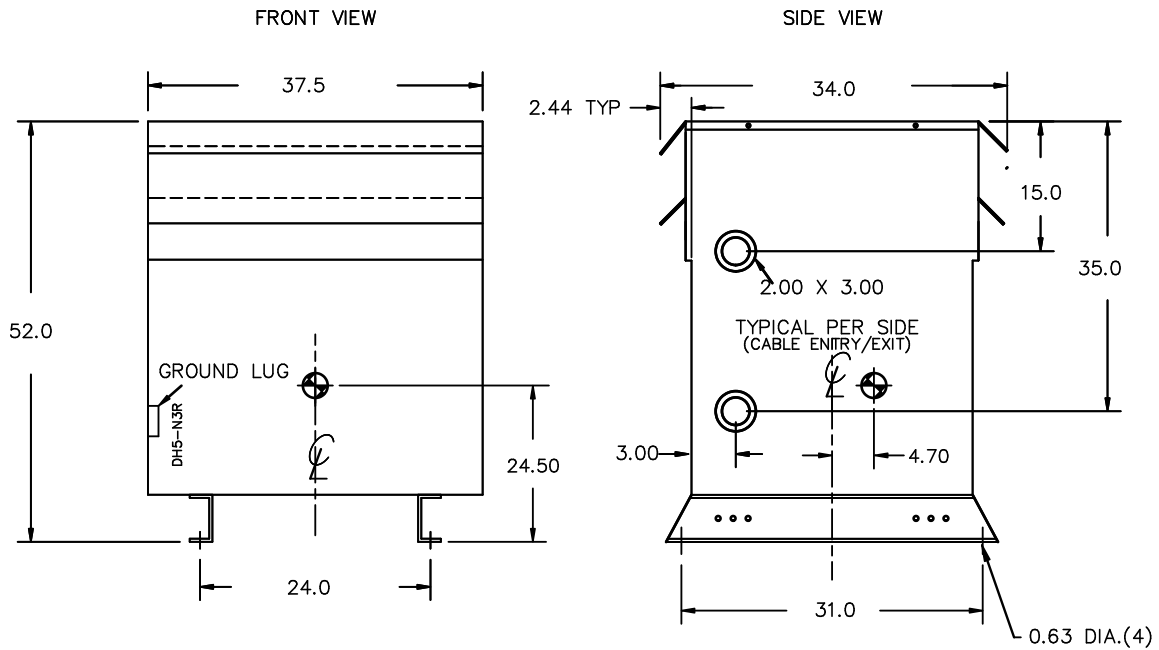
SPACINGS BETWEEN ANY VENTILATED ENCLOSURE PANEL AND ANY ADJACENT WALL SHALL BE A MINIMUM OF 5 INCHES EXCEPT WHEN WALL MOUNTED USING APPROVED WALL MOUNTING KIT ELECTROSTATIC SHIELD

SEISMIC QUALIFICATIONS:  
AS FLOOR MOUNT ONLY  
IBC 2018/ASCE 7-16  
SDS<=2.0g Z/n=0 Ip=1.5



d000187hb

THIS DRAWING CONTAINS STRICTLY CONFIDENTIAL INFORMATION BELONGING TO HAMMOND POWER SOLUTIONS AND MUST NOT BE DISTRIBUTED OUTSIDE AUTHORIZED PARTIES.



All Dimensions in inches

ENCLOSURE COLOR :ANSI 61 GREY – OUTDOOR

HV TERMINAL DETAIL

LV TERMINAL DETAIL

MECHANICAL TYPE LUGS INCLUDED  
SUITABLE FOR 350MCM-6 CU/AL  
CONDUCTORS  
2 CONDUCTORS PER PHASE

MECHANICAL TYPE LUGS INCLUDED  
SUITABLE FOR 350MCM-6 CU/AL  
CONDUCTORS  
2 CONDUCTORS PER PHASE

CUSTOMER NOTES:

- HV TERMINATED AT TOP FRONT
- LV TERMINATED AT BOTTOM FRONT
- 200% RATED NEUTRAL XO HAS QTY 2 LUGS



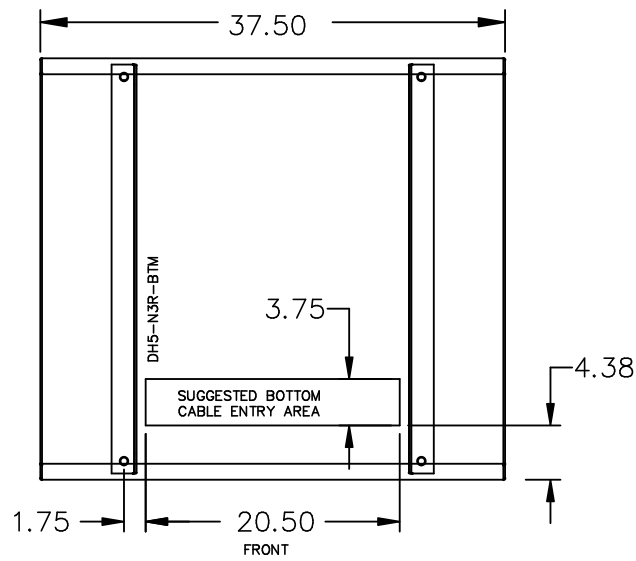
TITLE: 3PH DISTRIBUTION TRANSFORMER

1	21/07/16	PP	EDB UPDATE	DES: CSHAH
				DATE: 20/05/12
NO.	DATE	BY	REVISION	SCALE: NTS

SHEET 2 OF 3

EDBSK3A0225KK3S

ENCLOSURE BOTTOM VIEW



NOTE:  
 WHEN BOTTOM CABLE ENTRY IS OPTED, THE SPACE USED FOR CONDUITS IN THE FRONT OF THE TRANSFORMER SHOULD NOT OBSTRUCT MORE THAN 50% OF THE FRONT AIR INTAKE AREA DEFINED BETWEEN THE BOTTOM PLATE AND THE SUPPORTING LEGS.  
 SEE MANUAL FOR ADDITIONAL INFORMATION



TITLE: 3PH DISTRIBUTION TRANSFORMER  
 ENCLOSURE BOTTOM VIEW

1	21/07/16	PP	EDB UPDATE	DES: CSHAH
NO.	DATE	BY	REVISION	SCALE: NTS

SHEET 3 OF 3

EDBSK3A0225KK3S