



TITLE: 3PH DISTRIBUTION TRANSFORMER  
NAMEPLATE INFORMATION


|     |          |    |                |                |
|-----|----------|----|----------------|----------------|
| NO. | DATE     | BY | REVISION       | SCALE:         |
| 2   | 21/07/16 | PP | EDB UPDATE     | DES: RMOVVA    |
| 1   | 20/03/17 | PP | SEISMIC UPDATE | DATE: 17/10/06 |
|     |          |    |                | SCALE: NTS     |

SHEET 1 OF 3

EDBSK3A0225KK3K

2.0 httpd 2026/05/27 13:05

THIS DRAWING CONTAINS STRICTLY CONFIDENTIAL INFORMATION BELONGING TO HAMMOND POWER SOLUTIONS AND MUST NOT BE DISTRIBUTED OUTSIDE AUTHORIZED PARTIES.



**POWER SOLUTIONS**

Guelph, ONT Compton, CA  
Hyderabad, IN Compton, CA

**hammond** HPS Sentinel™ K

Energy Efficient Distribution Transformer  
Transformateur de Distribution à Bon Rendement Énergétique

Baraboo, WI  
Monterrey, MX

Part No. SK3A0225KK3K

Serial No. [ ] No. de Serie [ ]

HV/HT 480V 271A

BIL 10 kV

Term Bornes H1 H2 H3

LV/BT 480Y/277V 271A

BIL 10 kV

Term Bornes X0 X1 X2 X3

Energy Regulations DOE 10 CFR PART 431:2016

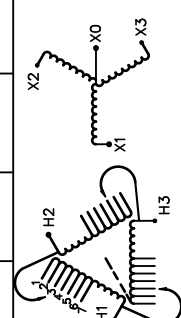
Reglements Energetique CEE ACT SOR/2018-201

Impedance % 4.1

Convenient à des courants non-sinusoidaux avec facteur K n'excédant pas 13

Weight Poids 1500

| VOLTS | CURRENT COURANT | % RATED VOLTAGE % NOMINALE | CONNECTION CONNECTION PAR PHASE |
|-------|-----------------|----------------------------|---------------------------------|
| 504   | 258             | 105                        | 1                               |
| 492   | 264             | 102.5                      | 2                               |
| 480   | 271             | 100                        | 3                               |
| 468   | 278             | 97.5                       | 4                               |
| 456   | 285             | 95                         | 5                               |
| 444   | 293             | 92.5                       | 6                               |
| 432   | 301             | 90                         | 7                               |



SEISMIC QUALIFICATIONS:  
AS FLOOR MOUNT ONLY  
IBC 2018/ASCE 7-16  
SDS<=2.0g Z/n=1 Ip=1.5

SPACINGS BETWEEN ANY VENTILATED ENCLOSURE PANEL AND ANY ADJACENT WALL SHALL BE A MINIMUM OF 5 INCHES EXCEPT WHEN WALL MOUNTED USING APPROVED WALL MOUNTING KIT ELECTROSTATIC SHIELD

d000187hb



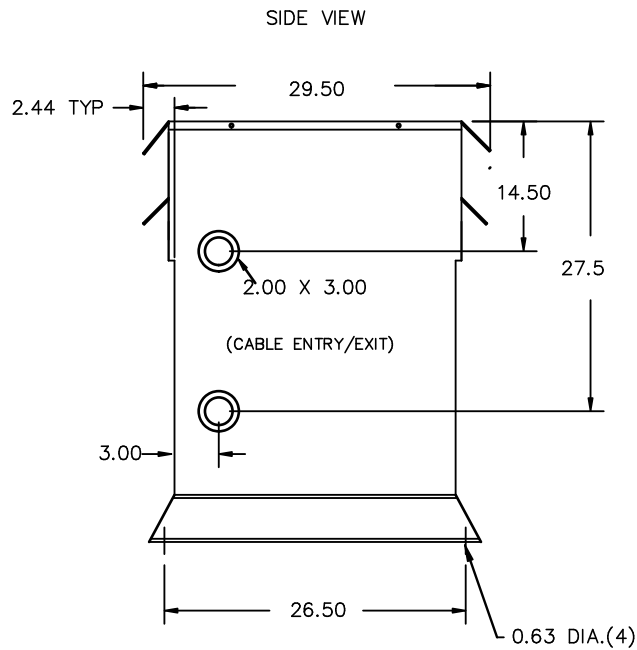
SP @ LR 3902  
DRY TYPE TRANSFORMER E112313  
ALSO VERIFIED IN ACCORDANCE TO ENERGY STANDARD CRO22-18 BY UNDERWITERS LABORATORIES INC. © 316



UL LISTED



All Dimensions in inches



ENCLOSURE COLOR :ANSI 61 GREY – OUTDOOR

HV TERMINAL DETAIL

LV TERMINAL DETAIL

MECHANICAL TYPE LUGS INCLUDED  
SUITABLE FOR 350MCM-6 CU/AL  
CONDUCTORS  
2 CONDUCTORS PER PHASE

MECHANICAL TYPE LUGS INCLUDED  
SUITABLE FOR 600MCM-2 CU/AL  
CONDUCTORS  
1 CONDUCTOR PER PHASE

CUSTOMER NOTES:

- HV TERMINATED AT TOP FRONT
- LV TERMINATED AT BOTTOM FRONT
- 200% RATED NEUTRAL XO HAS QTY 2 LUGS



TITLE: 3PH DISTRIBUTION TRANSFORMER

|     |          |    |                |                |
|-----|----------|----|----------------|----------------|
| 2   | 21/07/16 | PP | EDB UPDATE     | DES: RMOVVA    |
| 1   | 20/03/17 | PP | SEISMIC UPDATE | DATE: 17/10/06 |
| NO. | DATE     | BY | REVISION       | SCALE: NTS     |

SHEET 2 OF 3

EDBSK3A0225KK3K



NOTE:  
 WHEN BOTTOM CABLE ENTRY IS OPTED, THE SPACE USED FOR CONDUITS IN THE FRONT OF THE TRANSFORMER SHOULD NOT OBSTRUCT MORE THAN 50% OF THE FRONT AIR INTAKE AREA DEFINED BETWEEN THE BOTTOM PLATE AND THE SUPPORTING LEGS.  
 SEE MANUAL FOR ADDITIONAL INFORMATION



TITLE: 3PH DISTRIBUTION TRANSFORMER  
 ENCLOSURE BOTTOM VIEW

|     |          |    |                |                |
|-----|----------|----|----------------|----------------|
| 2   | 21/07/16 | PP | EDB UPDATE     | DES: RMOVVA    |
| 1   | 20/03/17 | PP | SEISMIC UPDATE | DATE: 17/10/06 |
| NO. | DATE     | BY | REVISION       | SCALE: NTS     |

SHEET 3 OF 3

EDBSK3A0225KK3K