



TITLE: 3PH DISTRIBUTION TRANSFORMER
NAMEPLATE INFORMATION

NO.	DATE	BY	REVISION	DES: PPICASSI
				DATE: 23/03/16
				SCALE: NTS

SHEET 1 OF 3

EDBSK3A0225KB9S

0.0 httpd 2026/06/25 01:33

THIS DRAWING CONTAINS STRICTLY CONFIDENTIAL INFORMATION BELONGING TO HAMMOND POWER SOLUTIONS AND MUST NOT BE DISTRIBUTED OUTSIDE AUTHORIZED PARTIES.

POWER SOLUTIONS
Guelph, ONT
Compton, CA
Hyderabad, IN

HPS Sentinel™ K
Energy Efficient Distribution Transformer
Transformateur de Distribution à Bon Rendement Énergétique
Baraboo, WI
Monterrey, MX

Part No. **SK3A0225KB9S**

Serial No. []
HV/HT 480V 271A
BIL 10 kV
Term Bornes H1 H2 H3
LV/BT 208Y/120V 625A
BIL 10 kV
Term Bornes X0 X1 X2 X3
DOE 10 CFR PART 431:2016
CEE ACT SOR/2018-201

Cust. Ref. []
Phase 3
Type K
Cooling Refroidissement ANN
kVA 225
Temp. Rise Echauffement 150 °C
Temp Class 220 °C
Winding Enroulement AL
Frequency 60
Impedance % @ 170 °C 6.2
Encl Type 3R
Weight lbs/kg 1710/776

Spacings between any ventilated enclosure panel and any adjacent wall shall be a minimum of 5 inches
ELECTROSTATIC SHIELD

VOLTS	CURRENT COURANT	% RATED VOLTAGE % NOMINALE	CONNECTION CONNECTION PAR PHASE
504	258	105	1
492	264	102.5	2
480	271	100	3
468	278	97.5	4
456	285	95	5
444	293	92.5	6
432	301	90	7

SEISMIC QUALIFICATIONS:
X0 FLOOR MOUNT ONLY
IBC 2018/ASCE 7-16
SDS<=2.0g Z/n=0 Ip=1.5

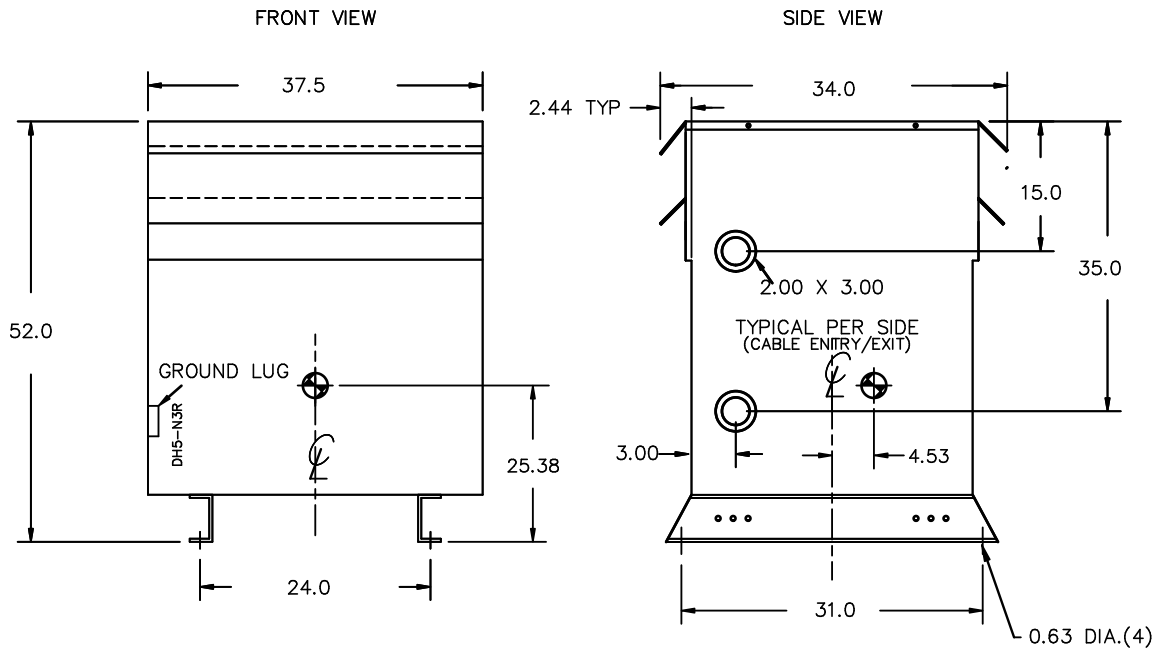
d000187hb



SP @ LR 3902
DRY TYPE TRANSFORMER E112313
ALSO VERIFIED IN ACCORDANCE TO ENERGY STANDARD CRO22-18 BY UNDERMETERS LABORATORIES INC. 316



LISTED



All Dimensions in inches

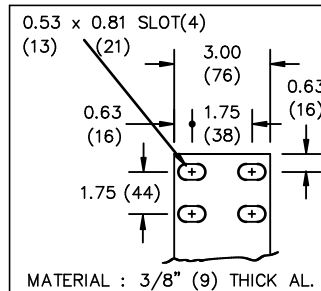
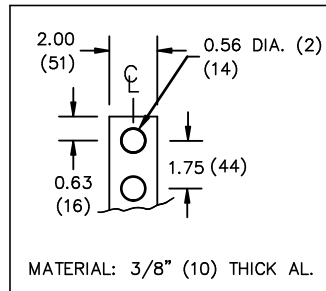
ENCLOSURE COLOR :ANSI 61 GREY – OUTDOOR

HV TERMINAL DETAIL

LV TERMINAL DETAIL

XO TERMINAL DETAIL

MECHANICAL TYPE LUGS INCLUDED
 SUITABLE FOR 350MCM-6 CU/AL
 CONDUCTORS
 2 CONDUCTORS PER PHASE



CUSTOMER NOTES:

- HV TERMINATED AT TOP FRONT
- LV TERMINATED AT BOTTOM FRONT
- XO TERMINATED AT BOTTOM FRONT
- 200% RATED NEUTRAL PROVIDED



TITLE: 3PH DISTRIBUTION TRANSFORMER

DES:	PPICASSI
DATE:	23/03/16
SCALE:	NTS

NO.	DATE	BY	REVISION

SHEET 2 OF 3

EDBSK3A0225KB9S

ENCLOSURE BOTTOM VIEW



NOTE:
 WHEN BOTTOM CABLE ENTRY IS OPTED, THE SPACE USED FOR CONDUITS IN THE FRONT OF THE TRANSFORMER SHOULD NOT OBSTRUCT MORE THAN 50% OF THE FRONT AIR INTAKE AREA DEFINED BETWEEN THE BOTTOM PLATE AND THE SUPPORTING LEGS.
 SEE MANUAL FOR ADDITIONAL INFORMATION



TITLE: 3PH DISTRIBUTION TRANSFORMER
 ENCLOSURE BOTTOM VIEW

				DES: PPICASSI
				DATE: 23/03/16
NO.	DATE	BY	REVISION	SCALE: NTS

SHEET 3 OF 3

EDBSK3A0225KB9S