



TITLE: 3PH DISTRIBUTION TRANSFORMER  
NAMEPLATE INFORMATION

NO.	DATE	BY	REVISION	SCALE:
2	21/07/16	PP	EDB UPDATE	DES: CSHAH
1	20/03/17	PP	SEISMIC UPDATE	DATE: 19/10/07
				SCALE: NTS

SHEET 1 OF 3

EDB SK3A0150PK4K

2.0 httpd 2026/06/03 10:31

THIS DRAWING CONTAINS STRICTLY CONFIDENTIAL INFORMATION BELONGING TO HAMMOND POWER SOLUTIONS AND MUST NOT BE DISTRIBUTED OUTSIDE AUTHORIZED PARTIES.

**POWER SOLUTIONS**  
Guelph, ONT  
Compton, CA

**HPS Sentinel™ K**  
Energy Efficient Distribution Transformer  
Transformateur de Distribution à Bon Rendement Énergétique

Hyderabad, IN  
Baraboo, WI  
Monterrey, MX

Part No. SK3A0150PK4K

Serial No. [ ]  
HV/HT 600V  
BIL 10 kV  
Term Bornes H1 H2 H3  
LV/BT 480Y/277V 180A  
BIL 10 kV  
Term Bornes X0 X1 X2 X3  
DOE 10 CFR PART 431:2016  
CEE ACT SOR/2018-201

Current 137  
141  
144  
148  
152  
156  
160

Volts 630  
615  
600  
585  
570  
555  
540

Winding Energy Regulations  
Frequency 60  
Impedance % 4.7  
Encl Type 3R  
Weight lbs 960

Connections: X0, X1, X2, X3, H1, H2, H3

SEISMIC QUALIFICATIONS:  
XS FLOOR MOUNT ONLY  
IBC 2018/ASCE 7-16  
SDS<=2.0g Z/n=1 Ip=1.5

CONNECTION TABLE:

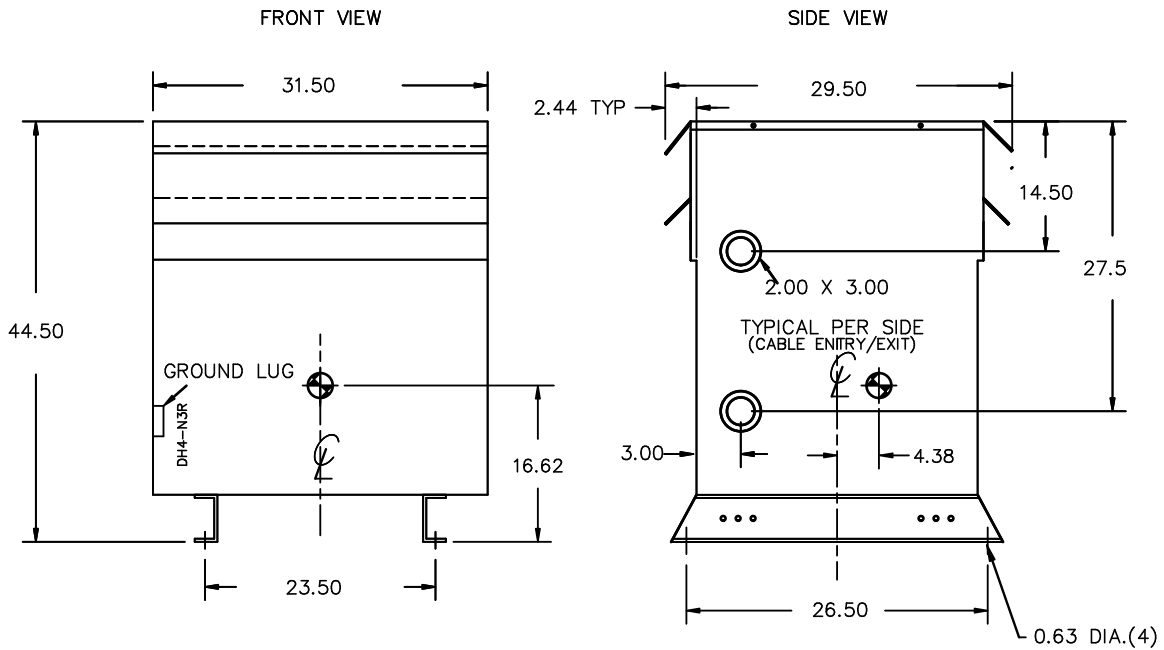
CONNECTION	% RATED VOLTAGE	CURRENT	CONNECTION
1	105	137	1
2	102.5	141	2
3	100	144	3
4	97.5	148	4
5	95	152	5
6	92.5	156	6
7	90	160	7

SPACINGS BETWEEN ANY VENTILATED ENCLOSURE PANEL AND ANY ADJACENT WALL SHALL BE A MINIMUM OF 5 INCHES EXCEPT WHEN WALL MOUNTED USING APPROVED WALL MOUNTING KIT ELECTROSTATIC SHIELD

LISTED BY UNDERWRITERS LABORATORIES INC. @ 316

DRY TYPE TRANSFORMER E112313 ALSO VERIFIED IN ACCORDANCE TO ENERGY STANDARD CRO22-18 BY UNDERWRITERS LABORATORIES INC. @ 316

d000187hb



All Dimensions in inches

ENCLOSURE COLOR :ANSI 61 GREY – OUTDOOR

HV TERMINAL DETAIL

LV TERMINAL DETAIL

X0 TERMINAL DETAIL

MECHANICAL TYPE LUGS INCLUDED  
SUITABLE FOR 250MCM-6 CU/AL  
CONDUCTORS  
1 CONDUCTOR PER PHASE

MECHANICAL TYPE LUGS INCLUDED  
SUITABLE FOR 350MCM-6 CU/AL  
CONDUCTORS  
1 CONDUCTOR PER PHASE

MECHANICAL TYPE LUGS INCLUDED  
SUITABLE FOR 600MCM-2 CU/AL  
CONDUCTORS  
2 CONDUCTORS PER PHASE

CUSTOMER NOTES:

- HV TERMINATED AT TOP FRONT
- LV TERMINATED AT BOTTOM FRONT
- X0 TERMINATED AT BOTTOM FRONT
- 200% RATED NEUTRAL PROVIDED



TITLE: 3PH DISTRIBUTION TRANSFORMER

2	21/07/16	PP	EDB UPDATE	DES: CSHAH
1	20/03/17	PP	SEISMIC UPDATE	DATE: 19/10/07
NO.	DATE	BY	REVISION	SCALE: NTS

SHEET 2 OF 3

EDBSK3A0150PK4K



NOTE:  
 WHEN BOTTOM CABLE ENTRY IS OPTED, THE SPACE USED FOR CONDUITS IN THE FRONT OF THE TRANSFORMER SHOULD NOT OBSTRUCT MORE THAN 50% OF THE FRONT AIR INTAKE AREA DEFINED BETWEEN THE BOTTOM PLATE AND THE SUPPORTING LEGS.  
 SEE MANUAL FOR ADDITIONAL INFORMATION



TITLE: 3PH DISTRIBUTION TRANSFORMER  
 ENCLOSURE BOTTOM VIEW

2	21/07/16	PP	EDB UPDATE	DES: CSHAH
1	20/03/17	PP	SEISMIC UPDATE	DATE: 19/10/07
NO.	DATE	BY	REVISION	SCALE: NTS

SHEET 3 OF 3

EDBSK3A0150PK4K