



TITLE: 3PH DISTRIBUTION TRANSFORMER
NAMEPLATE INFORMATION


DES:	RMOVVA
DATE:	21/10/25
SCALE:	NTS

SHEET 1 OF 3

EDBSK3A0150PK3S

0.0 httpd 2026/06/25 01:36

THIS DRAWING CONTAINS STRICTLY CONFIDENTIAL INFORMATION BELONGING TO HAMMOND POWER SOLUTIONS AND MUST NOT BE DISTRIBUTED OUTSIDE AUTHORIZED PARTIES.



POWER SOLUTIONS

Guelph, ONT
Compton, CA

Hyderabad, IN


HPS Sentinel™ K

Energy Efficient Distribution Transformer

Transformateur de Distribution à Bon Rendement Énergétique

Baraboo, WI
Monterrey, MX

Part No. SK3A0150PK3S



LR 3902

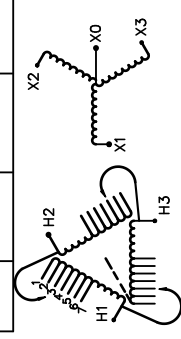
DRY TYPE TRANSFORMER E112313

ALSO VERIFIED IN ACCORDANCE TO ENERGY STANDARD CROZ2-18 BY UNDERWITERS LABORATORIES INC. 3106

LISTED

VOLTS	CURRENT COURANT	% RATED VOLTAGE % NOMINALE	CONNECTION CONNECTION PAR PHASE
630	137	105	1
615	141	102.5	2
600	144	100	3
585	148	97.5	4
570	152	95	5
555	156	92.5	6
540	160	90	7

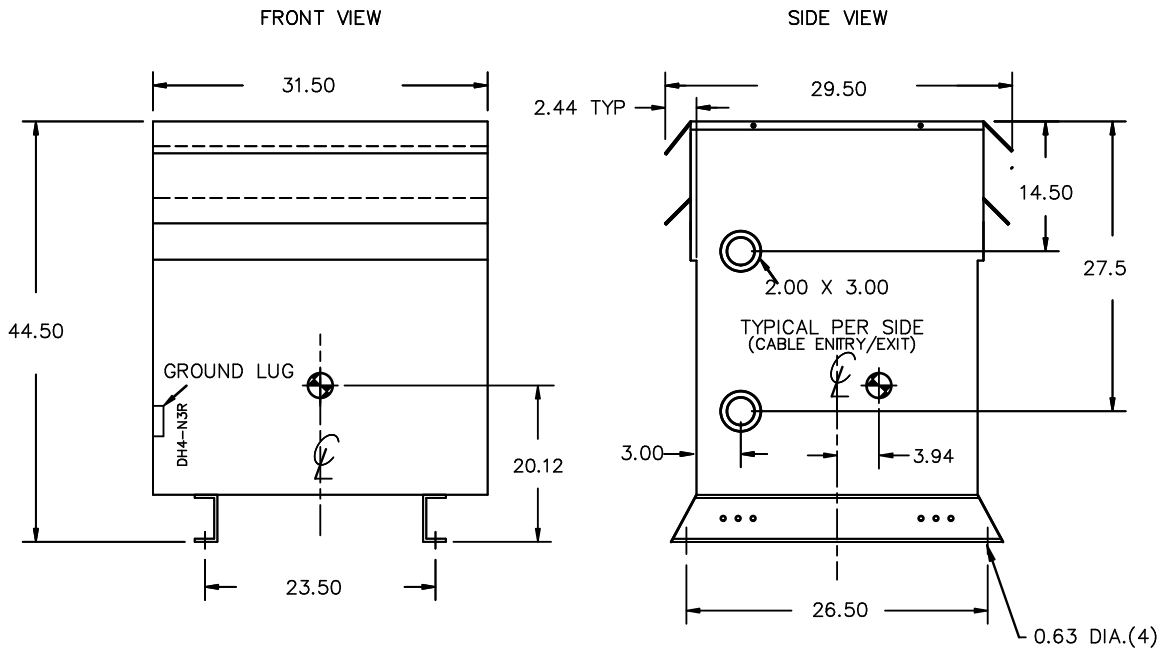
Cust. Ref. Ref. du Client	Serial No. No. de Serie
Phase	HV/HT
Type	BIL
Cooling Refroidissement	Term Bornes
kVA	LV/BT
Temp. Rise Echauffement	BIL
Temp Class Classe Temp	Term Bornes
Winding Enroulement	Energy Regulations Règlement Energetique
Frequency Fréquence Hz	DOE 10 CFR PART 431:2016
Impedance % @ 170°C	CEE ACT SOR/2018-201
Encl Type Type De Coffrage	Suitable for non-sinusoidal current load with K-factor not to exceed 13 Convient à des courants non-sinusoidaux avec facteur K n'excédant pas 13
Weight lbs/kg Poids	975/443



SEISMIC QUALIFICATIONS:
X3 FLOOR MOUNT ONLY
IBC 2018/ASCE 7-16
SDS<=2.0g Z/n=1 Ip=1.5

SPACINGS BETWEEN ANY VENTILATED ENCLOSURE PANEL AND ANY ADJACENT WALL SHALL BE A MINIMUM OF 5 INCHES ELECTROSTATIC SHIELD

d000187hb



All Dimensions in inches

ENCLOSURE COLOR :ANSI 61 GREY – OUTDOOR

HV TERMINAL DETAIL

LV TERMINAL DETAIL

X0 TERMINAL DETAIL

MECHANICAL TYPE LUGS INCLUDED
SUITABLE FOR 250MCM-6 CU/AL
CONDUCTORS
1 CONDUCTOR PER PHASE

MECHANICAL TYPE LUGS INCLUDED
SUITABLE FOR 350MCM-6 CU/AL
CONDUCTORS
1 CONDUCTOR PER PHASE

MECHANICAL TYPE LUGS INCLUDED
SUITABLE FOR 600MCM-2 CU/AL
CONDUCTORS
2 CONDUCTORS PER PHASE

CUSTOMER NOTES:

- HV TERMINATED AT TOP FRONT
- LV TERMINATED AT BOTTOM FRONT
- X0 TERMINATED AT BOTTOM FRONT
- 200% RATED NEUTRAL PROVIDED



TITLE: 3PH DISTRIBUTION TRANSFORMER

DES: RMOVVA
DATE: 21/10/25
SCALE: NTS
NO. DATE BY REVISION

SHEET 2 OF 3

EDBSK3A0150PK3S



NOTE:
 WHEN BOTTOM CABLE ENTRY IS OPTED, THE SPACE USED FOR CONDUITS IN THE FRONT OF THE TRANSFORMER SHOULD NOT OBSTRUCT MORE THAN 50% OF THE FRONT AIR INTAKE AREA DEFINED BETWEEN THE BOTTOM PLATE AND THE SUPPORTING LEGS.
 SEE MANUAL FOR ADDITIONAL INFORMATION



TITLE: 3PH DISTRIBUTION TRANSFORMER
ENCLOSURE BOTTOM VIEW

				DES: RMOVVA
				DATE: 21/10/25
NO.	DATE	BY	REVISION	SCALE: NTS

SHEET 3 OF 3

EDBSK3A0150PK3S