



TITLE: 3PH DISTRIBUTION TRANSFORMER
NAMEPLATE INFORMATION

NO.	DATE	BY	REVISION	SCALE:
2	21/07/16	PP	EDB UPDATE	DES: RMOVVA
1	20/03/17	PP	SEISMIC UPDATE	DATE: 18/04/26
				SCALE: NTS

SHEET 1 OF 3

EDBSK3A0150PB4K

2.1 httpd 2026/06/03 18:56

POWER SOLUTIONS
Guelph, ONT
Compton, CA

HPS Sentinel™ K
Energy Efficient Distribution Transformer
Transformateur de Distribution à Bon Rendement Énergétique

Hyderabad, IN
Baraboo, WI
Monterrey, MX

Part No. SK3A0150PB4K

Cust. Ref. []
Ref. du Client []

Phase 3

Type K

Cooling Refroidissement ANN

kVA 150

Temp. Rise Echauffement 150 °C

Temp Class 220 °C

Winding Enroulement CU

Frequency 60

Impedance % @ 170 °C 4.3

Encl Type Type De Coffrage 3R

Weight Poids 1040 lbs

Serial No. No. de Serie []

HV/HT 600V

BIL 10 kV

Term Bornes H1 H2 H3

LV/BT 208Y/120V

BIL 10 kV

Term Bornes X0 X1 X2 X3

Energy Regulations Règlement Energétique DOE 10 CFR PART 431:2016

CEE ACT SOR/2018-201

Suitable for non-sinusoidal current load with K-factor not to exceed 4
Convient à des courants non-sinusoidaux avec facteur K n'excédant pas 4

SPACINGS BETWEEN ANY VENTILATED ENCLOSURE PANEL AND ANY ADJACENT WALL SHALL BE A MINIMUM OF 5 INCHES
ÉLECTROSTATIC SHIELD

SEISMIC QUALIFICATIONS:
AS FLOOR MOUNT ONLY
IBC 2018/ASCE 7-16
SDS<=2.0g Z/n=1 Ip=1.5

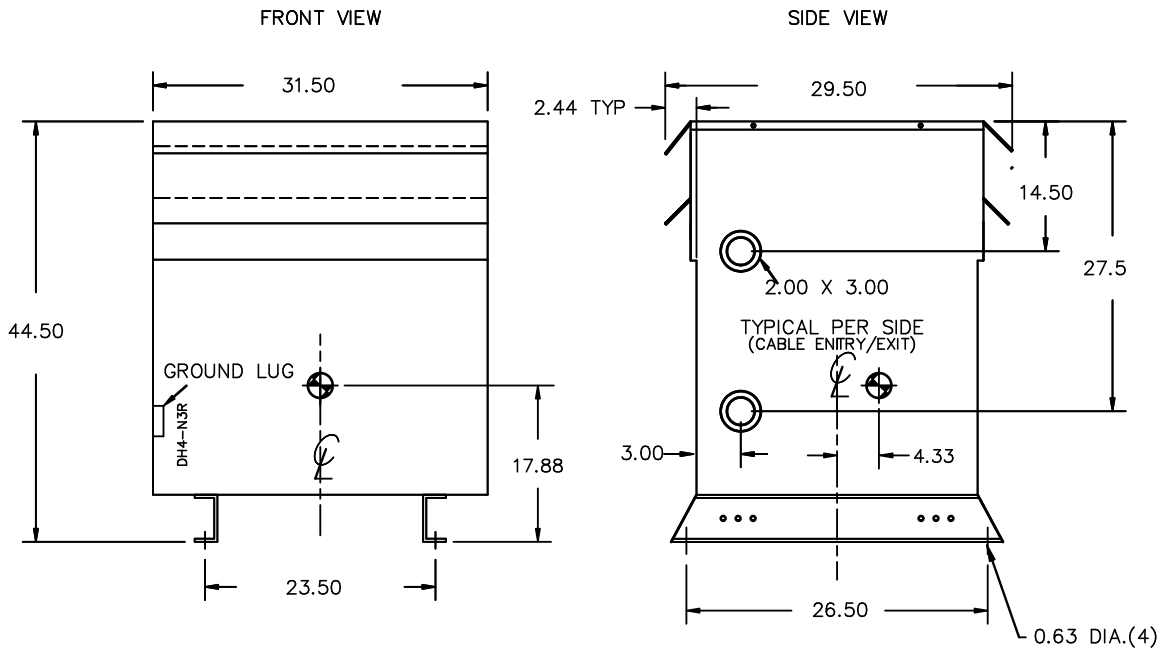
VOLTS	CURRENT COURANT	% RATED VOLTAGE % NOMINALE	CONNECTION CONNECTION PAR PHASE
630	137	105	1
615	141	102.5	2
600	144	100	3
585	148	97.5	4
570	152	95	5
555	156	92.5	6
540	160	90	7

d000187hb



SP @ LR 3902
DRY TYPE TRANSFORMER E112313
ALSO VERIFIED IN ACCORDANCE TO ENERGY STANDARD CRO22-18 BY UNDERMETERS LABORATORIES INC. 316

LISTED



All Dimensions in inches

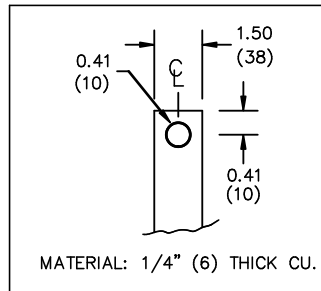
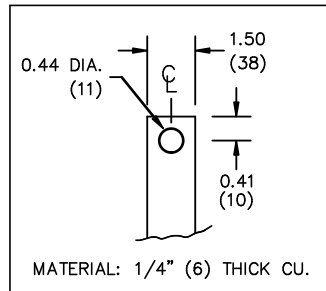
ENCLOSURE COLOR :ANSI 61 GREY – OUTDOOR

HV TERMINAL DETAIL

LV TERMINAL DETAIL

X0 TERMINAL DETAIL

MECHANICAL TYPE LUGS INCLUDED
SUITABLE FOR 250MCM-6 CU/AL
CONDUCTORS
1 CONDUCTOR PER PHASE



CUSTOMER NOTES:

- HV TERMINATED AT TOP FRONT
- LV TERMINATED AT BOTTOM FRONT
- X0 TERMINATED AT BOTTOM FRONT
- 200% RATED NEUTRAL PROVIDED

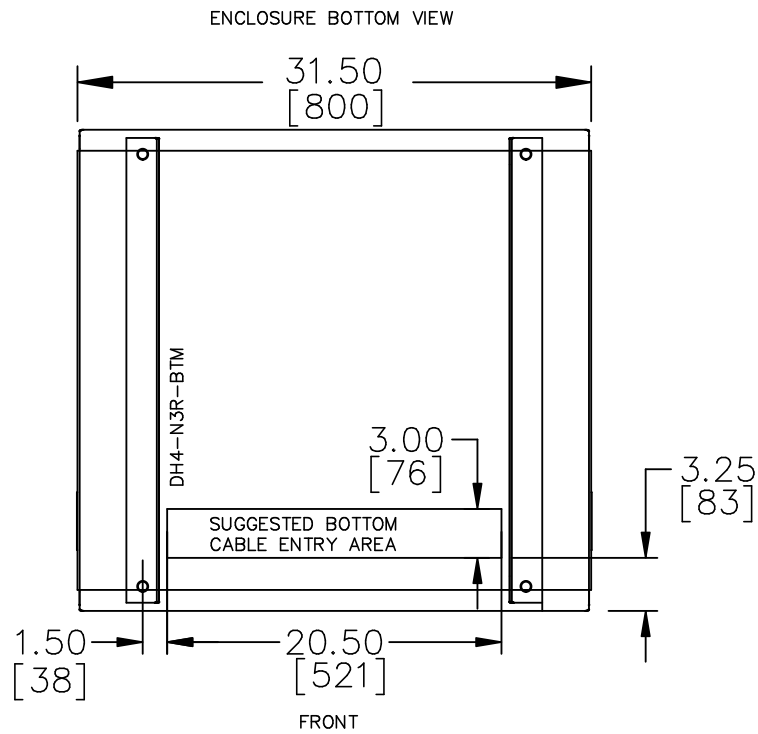


TITLE: 3PH DISTRIBUTION TRANSFORMER

2	21/07/16	PP	EDB UPDATE	DES: RMOVVA
1	20/03/17	PP	SEISMIC UPDATE	DATE: 18/04/26
NO.	DATE	BY	REVISION	SCALE: NTS

SHEET 2 OF 3

EDBSK3A0150PB4K



NOTE:
 WHEN BOTTOM CABLE ENTRY IS OPTED, THE SPACE USED FOR CONDUITS IN THE FRONT OF THE TRANSFORMER SHOULD NOT OBSTRUCT MORE THAN 50% OF THE FRONT AIR INTAKE AREA DEFINED BETWEEN THE BOTTOM PLATE AND THE SUPPORTING LEGS.
 SEE MANUAL FOR ADDITIONAL INFORMATION



TITLE: 3PH DISTRIBUTION TRANSFORMER
ENCLOSURE BOTTOM VIEW

2	21/07/16	PP	EDB UPDATE	DES: RMOVVA
1	20/03/17	PP	SEISMIC UPDATE	DATE: 18/04/26
NO.	DATE	BY	REVISION	SCALE: NTS

SHEET 3 OF 3

EDBSK3A0150PB4K