



TITLE: 3PH DISTRIBUTION TRANSFORMER  
NAMEPLATE INFORMATION

|     |          |    |                |                |
|-----|----------|----|----------------|----------------|
| 3   | 21/07/16 | PP | EDB UPDATE     | DES: JWEN      |
| 2   | 20/03/17 | PP | SEISMIC UPDATE | DATE: 15/11/17 |
| NO. | DATE     | BY | REVISION       | SCALE: NTS     |

SHEET 1 OF 3

EDBSK3A0150PB3K

3.0 httpd 2026/06/03 20:29

THIS DRAWING CONTAINS STRICTLY CONFIDENTIAL INFORMATION BELONGING TO HAMMOND POWER SOLUTIONS AND MUST NOT BE DISTRIBUTED OUTSIDE AUTHORIZED PARTIES.

**POWER SOLUTIONS**

Guelph, ONT Compton, CA  
Hyderabad, IN Compton, CA

**HPS Sentinel™ K**

Energy Efficient Distribution Transformer

Transformateur de Distribution à Bon Rendement Énergétique

Baraboo, WI Monterrey, MX

Part No. SK3A0150PB3K

LR 3902

DRY TYPE TRANSFORMER E112313

ALSO VERIFIED IN ACCORDANCE TO ENERGY STANDARD CROZ2-18 BY UNDERWriters LABORATORIES INC. 3106

**LISTED**

SPACINGS BETWEEN ANY VENTILATED ENCLOSURE PANEL AND ANY ADJACENT WALL SHALL BE A MINIMUM OF 5 INCHES EXCEPT WHEN WALL MOUNTED USING APPROVED WALL MOUNTING KIT ELECTROSTATIC SHIELD

| VOLTS | CURRENT COURANT | % RATED VOLTAGE % NOMINALE | CONNECTION CONNECTION PAR PHASE |
|-------|-----------------|----------------------------|---------------------------------|
| 630   | 137             | 105                        | 1                               |
| 615   | 141             | 102.5                      | 2                               |
| 600   | 144             | 100                        | 3                               |
| 585   | 148             | 97.5                       | 4                               |
| 570   | 152             | 95                         | 5                               |
| 555   | 156             | 92.5                       | 6                               |
| 540   | 160             | 90                         | 7                               |

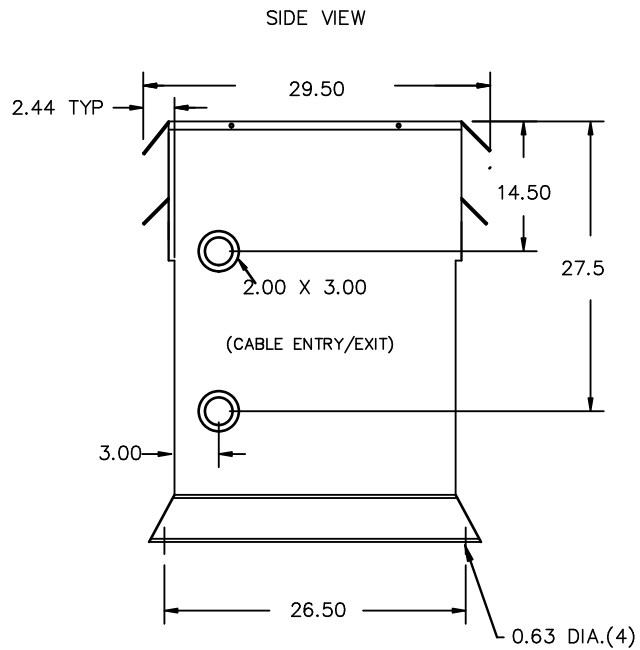
|   |                          |
|---|--------------------------|
| Serial No. No. de Serie                   |                          |
| HV/HT                                     | 600V                     |
| BIL                                       | 10 kV                    |
| Term Bornes                               | H1 H2 H3                 |
| LV/BT                                     | 208Y/120V                |
| BIL                                       | 10 kV                    |
| Term Bornes                               | X0 X1 X2 X3              |
| Energy Regulations Réglements Énergétique | DOE 10 CFR PART 431:2016 |
| CEE ACT SOR/2018-201                      |                          |

|                            |        |
|----------------------------|--------|
| Cust. Ref. Ref. du Client  |        |
| Phase                      | 3      |
| Type                       | K      |
| Cooling Refroidissement    | ANN    |
| kVA                        | 150    |
| Temp. Rise Échauffement    | 150 °C |
| Temp Class Classe Temp     | 220 °C |
| Winding Enroulement        | CU     |
| Frequency Fréquence Hz     | 60     |
| Impedance % @ 170 °C       | 3.5    |
| Encl Type Type De Coffrage | 3R     |
| Weight Poids lbs           | 1100   |

Suitable for non-sinusoidal current load with K-factor not to exceed 13  
Convient à des courants non-sinusoidaux avec facteur K n'excédant pas 13

SEISMIC QUALIFICATIONS:  
XS FLOOR MOUNT ONLY  
IBC 2018/ASCE 7-16  
SDS<=2.0g Z/n=1 Ip=1.5

d000187hb



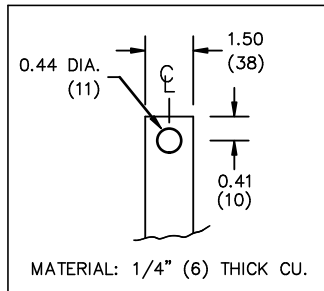
All Dimensions in inches

ENCLOSURE COLOR :ANSI 61 GREY – OUTDOOR

H.V.1. TERMINAL DETAIL

L.V.1. TERMINAL DETAIL

MECHANICAL TYPE LUGS INCLUDED  
SUITABLE FOR 250MCM-6 CU/AL  
CONDUCTORS  
1 CONDUCTOR PER PHASE



CUSTOMER NOTES:

- HV1 TERMINATED AT TOP FRONT
- LV1 TERMINATED AT BOTTOM FRONT



TITLE: 3PH DISTRIBUTION TRANSFORMER

|     |          |    |                |                |
|-----|----------|----|----------------|----------------|
| 3   | 21/07/16 | PP | EDB UPDATE     | DES: JWEN      |
| 2   | 20/03/17 | PP | SEISMIC UPDATE | DATE: 15/11/17 |
| NO. | DATE     | BY | REVISION       | SCALE: NTS     |

SHEET 2 OF 3

EDBSK3A0150PB3K



NOTE:  
 WHEN BOTTOM CABLE ENTRY IS OPTED, THE SPACE USED FOR CONDUITS IN THE FRONT OF THE TRANSFORMER SHOULD NOT OBSTRUCT MORE THAN 50% OF THE FRONT AIR INTAKE AREA DEFINED BETWEEN THE BOTTOM PLATE AND THE SUPPORTING LEGS.  
 SEE MANUAL FOR ADDITIONAL INFORMATION



TITLE: 3PH DISTRIBUTION TRANSFORMER  
 ENCLOSURE BOTTOM VIEW

|     |          |    |                |                |
|-----|----------|----|----------------|----------------|
| 3   | 21/07/16 | PP | EDB UPDATE     | DES: JWEN      |
| 2   | 20/03/17 | PP | SEISMIC UPDATE | DATE: 15/11/17 |
| NO. | DATE     | BY | REVISION       | SCALE: NTS     |

SHEET 3 OF 3

EDBSK3A0150PB3K