



TITLE: 3PH DISTRIBUTION TRANSFORMER  
NAMEPLATE INFORMATION

NO.	DATE	BY	REVISION	SCALE:
2	21/07/16	PP	EDB UPDATE	NTS
1	20/03/17	PP	SEISMIC UPDATE	NTS

SHEET 1 OF 3

EDBSK3A0150KK4S

2.0 httpd 2026/06/04 17:21

THIS DRAWING CONTAINS STRICTLY CONFIDENTIAL INFORMATION BELONGING TO HAMMOND POWER SOLUTIONS AND MUST NOT BE DISTRIBUTED OUTSIDE AUTHORIZED PARTIES.

**POWER SOLUTIONS**  
Guelph, ONT  
Compton, CA  
Hyderabad, IN

**HPS Sentinel™ K**  
Energy Efficient Distribution Transformer  
Transformateur de Distribution à Bon Rendement Énergétique

Baraboo, WI  
Monterrey, MX

Part No. **SK3A0150KK4S**

LR 3902  
DRY TYPE TRANSFORMER E112313  
ALSO VERIFIED IN ACCORDANCE TO ENERGY STANDARD CROZ-18 BY UNDERWriters LABORATORIES INC. 3106

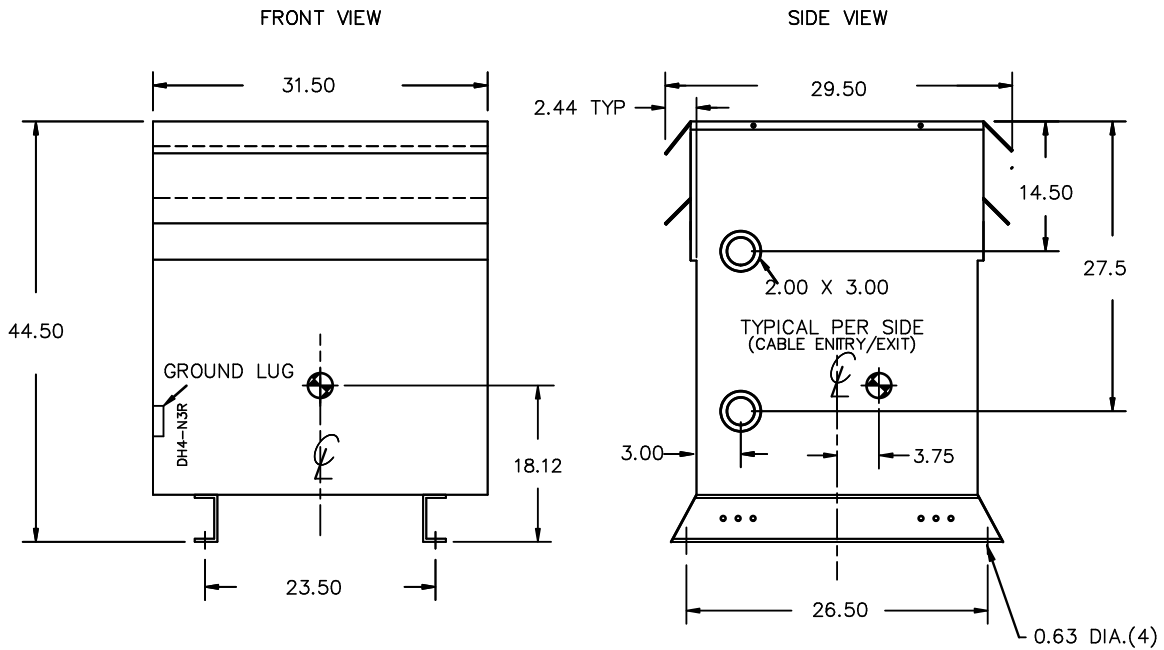
**LISTED**

Cust. Ref.	Serial No.	HV/HT	180A	VOLTS	CURRENT COURANT	% RATED VOLTAGE % NOMINALE	CONNECTION CONNECTION PAR PHASE
3	K	10 kV		504	172	105	1
	ANN	Term Bornes	H1 H2 H3	492	176	102.5	2
	150	LV/BT	480Y/277V	480	180	100	3
	150 °C	BIL	10 kV	468	185	97.5	4
	220 °C	Term Bornes	X0 X1 X2 X3	456	190	95	5
	AL	Energy Regulations	DOE 10 CFR PART 431:2016	444	195	92.5	6
	60	Reglements Energetique	CEE ACT SOR/2018-201	432	200		7
	4.3	Suitable for non-sinusoidal current load with K-factor not to exceed 4					
	3R	Convient à des courants non-sinusoidaux avec facteur K n'excédant pas 4					
	955	Weight Poids					

SEISMIC QUALIFICATIONS:  
XS FLOOR MOUNT ONLY  
IBC 2018/ASCE 7-16  
SDS<=2.0g Z/n=1 Ip=1.5

d000187hb

SPACINGS BETWEEN ANY VENTILATED ENCLOSURE PANEL AND ANY ADJACENT WALL SHALL BE A MINIMUM OF 5 INCHES EXCEPT WHEN WALL MOUNTED USING APPROVED WALL MOUNTING KIT ELECTROSTATIC SHIELD



All Dimensions in inches

ENCLOSURE COLOR :ANSI 61 GREY – OUTDOOR

HV TERMINAL DETAIL

LV TERMINAL DETAIL

X0 TERMINAL DETAIL

MECHANICAL TYPE LUGS INCLUDED  
SUITABLE FOR 350MCM-6 CU/AL  
CONDUCTORS  
1 CONDUCTOR PER PHASE

MECHANICAL TYPE LUGS INCLUDED  
SUITABLE FOR 350MCM-6 CU/AL  
CONDUCTORS  
1 CONDUCTOR PER PHASE

MECHANICAL TYPE LUGS INCLUDED  
SUITABLE FOR 600MCM-2 CU/AL  
CONDUCTORS  
2 CONDUCTORS PER PHASE

CUSTOMER NOTES:

- HV TERMINATED AT TOP FRONT
- LV TERMINATED AT BOTTOM FRONT
- X0 TERMINATED AT BOTTOM FRONT
- 200% RATED NEUTRAL PROVIDED

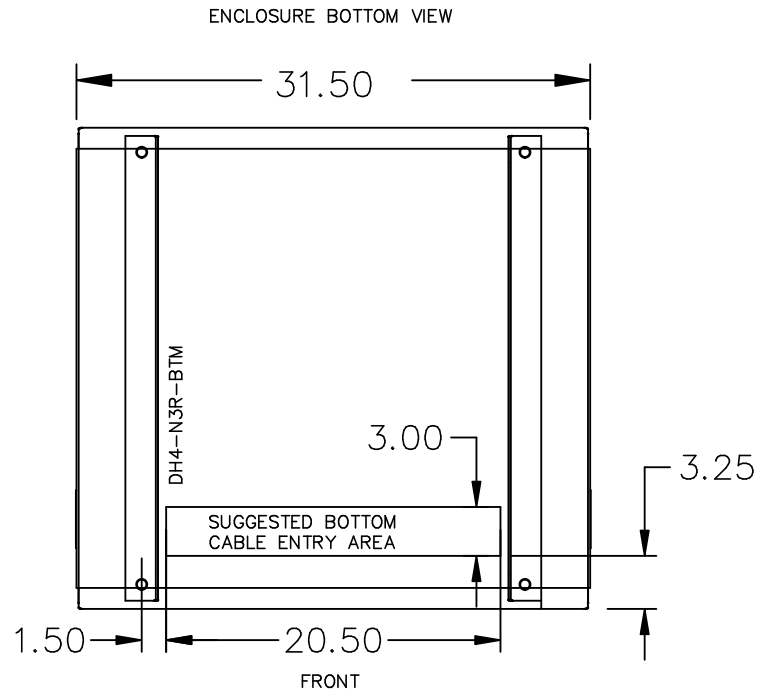


TITLE: 3PH DISTRIBUTION TRANSFORMER

2	21/07/16	PP	EDB UPDATE	DES: CSHAH
1	20/03/17	PP	SEISMIC UPDATE	DATE: 19/07/31
NO.	DATE	BY	REVISION	SCALE: NTS

SHEET 2 OF 3

EDBSK3A0150K44S



NOTE:  
 WHEN BOTTOM CABLE ENTRY IS OPTED, THE SPACE USED FOR CONDUITS IN THE FRONT OF THE TRANSFORMER SHOULD NOT OBSTRUCT MORE THAN 50% OF THE FRONT AIR INTAKE AREA DEFINED BETWEEN THE BOTTOM PLATE AND THE SUPPORTING LEGS.  
 SEE MANUAL FOR ADDITIONAL INFORMATION



TITLE: 3PH DISTRIBUTION TRANSFORMER  
 ENCLOSURE BOTTOM VIEW

2	21/07/16	PP	EDB UPDATE	DES: CSHAH
1	20/03/17	PP	SEISMIC UPDATE	DATE: 19/07/31
NO.	DATE	BY	REVISION	SCALE: NTS

SHEET 3 OF 3

EDBSK3A0150KK4S