



NO.	DATE	BY	REVISION	SCALE:
3	21/07/16	PP	EDB UPDATE	DES: RMOVVA
2	20/03/17	PP	SEISMIC UPDATE	DATE: 16/07/22
				SCALE: NTS

SHEET 1 OF 3
 EDBSK3A0150KK3K

POWER SOLUTIONS

Hyderabad, IN Guelph, ONT Baraboo, WI Monterrey, MX

HPS Sentinel™ K

Energy Efficient Distribution Transformer

Transformateur de Distribution à Bon Rendement Énergétique

Part No. SK3A0150KK3K

LR 3902

DRY TYPE TRANSFORMER E112313

ALSO VERIFIED IN ACCORDANCE TO ENERGY STANDARD CROZ2-18 BY UNDERWITERS LABORATORIES INC. 316

LISTED

Cust. Ref.	Serial No.	HV/HT	VOLTS	CURRENT COURANT	% RATED VOLTAGE % NOMINALE	CONNECTION CONNECTION PAR PHASE
		480V	504	172	105	1
Phase	3	BIL	492	176	102.5	2
Type	K	Term Bornes	480	180	100	3
Cooling Refroidissement	ANN	LV/BT	468	185	97.5	4
kVA	150	BIL	456	190	95	5
Temp. Rise Echauffement	150 °C	Term Bornes	444	195	92.5	6
Temp Class	220 °C	DOE 10 CFR PART 431:2016	432	200	90	7
Winding Enroulement	CU	CEE ACT SOR/2018-201				
Frequency	60	Suitable for non-sinusoidal current load with K-factor not to exceed 13				
Impedance % @ 170 °C	3	Convient à des courants non-sinusoidaux avec facteur K n'excédant pas				
Encl. Type Type De Coffrage	3R					
Weight Poids	1100					

SEISMIC QUALIFICATIONS:
 XS FLOOR MOUNT ONLY
 IBC 2018/ASCE 7-16
 SDS<=2.0g Z/n=1 Ip=1.5

d000187hb



All Dimensions in inches



ENCLOSURE COLOR :ANSI 61 GREY – OUTDOOR

H.V.1. TERMINAL DETAIL

L.V.1. TERMINAL DETAIL

MECHANICAL TYPE LUGS INCLUDED
SUITABLE FOR 350MCM-6 CU/AL
CONDUCTORS
1 CONDUCTOR PER PHASE

MECHANICAL TYPE LUGS INCLUDED
SUITABLE FOR 350MCM-6 CU/AL
CONDUCTORS
1 CONDUCTOR PER PHASE

CUSTOMER NOTES:

- HV1 TERMINATED AT TOP FRONT
- LV1 TERMINATED AT BOTTOM FRONT

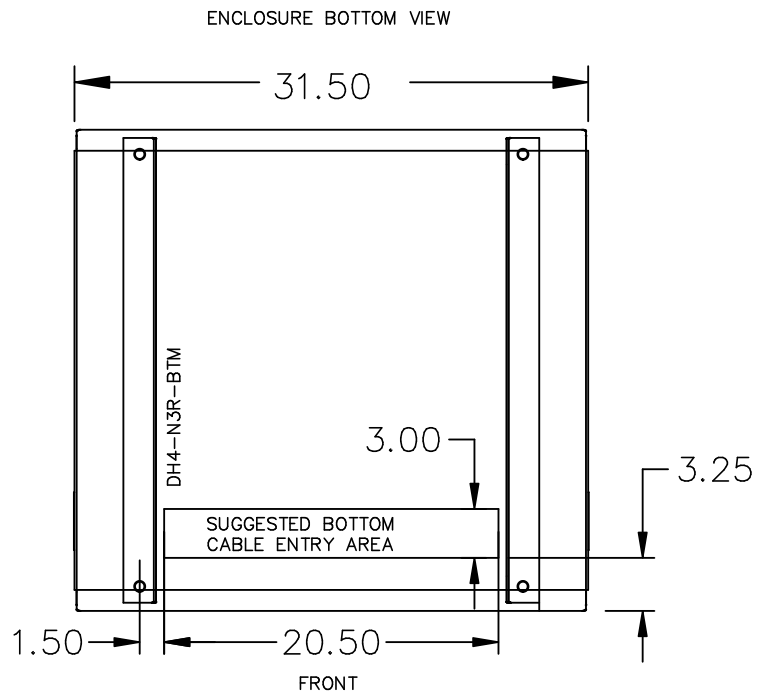


TITLE: 3PH DISTRIBUTION TRANSFORMER

NO.	DATE	BY	REVISION	SCALE:
3	21/07/16	PP	EDB UPDATE	DES: RMOVVA
2	20/03/17	PP	SEISMIC UPDATE	DATE: 16/07/22
				SCALE: NTS

SHEET 2 OF 3

EDBSK3A0150KK3K



NOTE:
 WHEN BOTTOM CABLE ENTRY IS OPTED, THE SPACE USED FOR CONDUITS IN THE FRONT OF THE TRANSFORMER SHOULD NOT OBSTRUCT MORE THAN 50% OF THE FRONT AIR INTAKE AREA DEFINED BETWEEN THE BOTTOM PLATE AND THE SUPPORTING LEGS.
 SEE MANUAL FOR ADDITIONAL INFORMATION



TITLE: 3PH DISTRIBUTION TRANSFORMER
 ENCLOSURE BOTTOM VIEW

3	21/07/16	PP	EDB UPDATE	DES: RMOVVA
2	20/03/17	PP	SEISMIC UPDATE	DATE: 16/07/22
NO.	DATE	BY	REVISION	SCALE: NTS

SHEET 3 OF 3

EDBSK3A0150KK3K