



TITLE: 3PH DISTRIBUTION TRANSFORMER
NAMEPLATE INFORMATION

NO.	DATE	BY	REVISION
4	21/11/25	CS	NPL IMPEDANCE AND WEIGHT UPDATE
3	21/07/16	PP	EDB UPDATE

DES:	JWEN
DATE:	15/11/17
SCALE:	NTS

SHEET 1 OF 3

EDBSK3A0150KB9S

4.0 httpd 2026/06/03 10:29

THIS DRAWING CONTAINS STRICTLY CONFIDENTIAL INFORMATION BELONGING TO HAMMOND POWER SOLUTIONS AND MUST NOT BE DISTRIBUTED OUTSIDE AUTHORIZED PARTIES.

POWER SOLUTIONS
Guelph, ONT Compton, CA
Hyderabad, IN

HPS Sentinel™ K
Energy Efficient Distribution Transformer
Transformateur de Distribution à Bon Rendement Énergétique
Baraboo, WI Monterrey, MX
Part No. SK3A0150KB9S

Cust. Ref. [] Serial No. []
 Ref. du Client [] No. de Serie []
 Phase 3 HV/HT 480V
 Type K BIL 10 kV
 Cooling Refroidissement ANN Term Bornes H1 H2 H3
 kVA 150 LV/BT 208Y/120V
 Temp. Rise Echauffement 150 °C BIL 10 kV
 Temp Class 220 °C Term Bornes X0 X1 X2 X3
 Winding Enroulement AL Energy Regulations DOE 10 CFR PART 431:2016
 Frequency Fréquence Hz 60 Reglements Energetique CEE ACT SOR/2018-201
 Impedance % @ 170 °C 5.5 Suitable for non-sinusoidal current load with K-factor not to exceed 9
 Encl Type Type De Coffrage 3R Convient à des courants non-sinusoidaux avec facteur K n'excédant pas 9
 Weight Poids lbs 1100

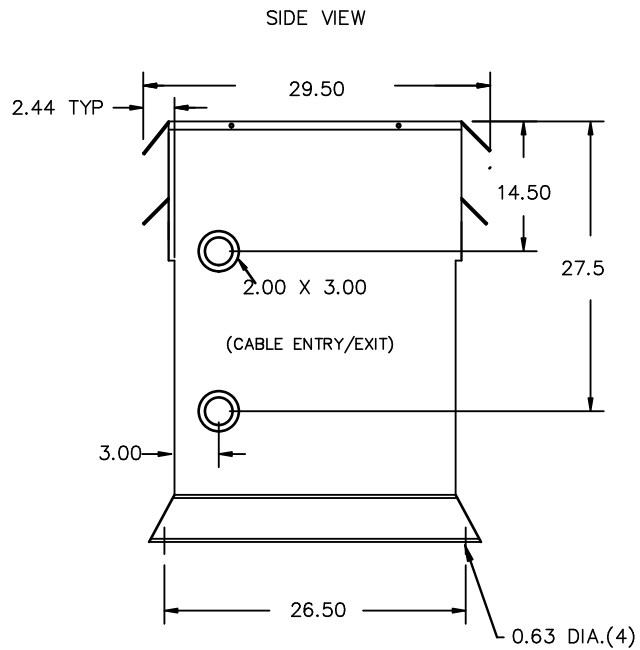
VOLTS	CURRENT COURANT	% RATED VOLTAGE % NOMINALE	CONNECTION CONNECTION PAR PHASE
504	172.0	105	1
492	176.0	102.5	2
480	180.0	100	3
468	185.0	97.5	4
456	190.0	95	5
444	195.0	92.5	6
432	200.0	90	7

SEISMIC QUALIFICATIONS:
 X0 FLOOR MOUNT ONLY
 (BC 2018/ASCE, 7-16)
 SDS<=2.0g Z/n=1 Ip=1.5

SPACINGS BETWEEN ANY VENTILATED ENCLOSURE PANEL AND ANY ADJACENT WALL SHALL BE A MINIMUM OF 5 INCHES EXCEPT WHEN WALL MOUNTED USING APPROVED WALL MOUNTING KIT ELECTROSTATIC SHIELD

SP @ LR 3902
 DRY TYPE TRANSFORMER 8 03423 12938 5
 ALSO VERIFIED IN ACCORDANCE TO ENERGY STANDARD CROZ-18 E112-13 BY UNDERMETERS LABORATORIES INC. © 316
LISTED

d000187hb



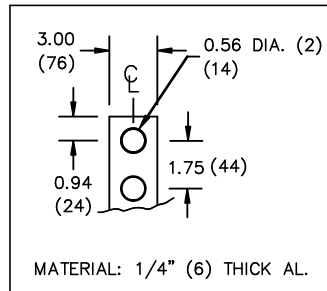
All Dimensions in inches

ENCLOSURE COLOR :ANSI 61 GREY – OUTDOOR

H.V.1. TERMINAL DETAIL

L.V.1. TERMINAL DETAIL

MECHANICAL TYPE LUGS INCLUDED
SUITABLE FOR 350MCM-6 CU/AL
CONDUCTORS
1 CONDUCTOR PER PHASE



CUSTOMER NOTES:

- HV1 TERMINATED AT TOP FRONT
- LV1 TERMINATED AT BOTTOM FRONT



TITLE: 3PH DISTRIBUTION TRANSFORMER

4	21/11/25	CS	NPL IMPEDANCE AND WEIGHT UPDATE	DES: JWEN
3	21/07/16	PP	EDB UPDATE	DATE: 15/11/17
NO.	DATE	BY	REVISION	SCALE: NTS

SHEET 2 OF 3

EDBSK3A0150KB9S



NOTE:
 WHEN BOTTOM CABLE ENTRY IS OPTED, THE SPACE USED FOR CONDUITS IN THE FRONT OF THE TRANSFORMER SHOULD NOT OBSTRUCT MORE THAN 50% OF THE FRONT AIR INTAKE AREA DEFINED BETWEEN THE BOTTOM PLATE AND THE SUPPORTING LEGS.
 SEE MANUAL FOR ADDITIONAL INFORMATION



TITLE: 3PH DISTRIBUTION TRANSFORMER
 ENCLOSURE BOTTOM VIEW

4	21/11/25	CS	NPL IMPEDANCE AND WEIGHT UPDATE	DES: JWEN
3	21/07/16	PP	EDB UPDATE	DATE: 15/11/17
NO.	DATE	BY	REVISION	SCALE: NTS

SHEET 3 OF 3

EDBSK3A0150KB9S