



TITLE: 3PH DISTRIBUTION TRANSFORMER NAMEPLATE INFORMATION			
3	21/07/16	PP	EDB UPDATE
2	20/03/17	PP	SEISMIC UPDATE
NO.	DATE	BY	REVISION
			DES: JWEN
			DATE: 15/11/17
			SCALE: NTS

SHEET 1 OF 3
EDBSK3A0150KB3K

POWER SOLUTIONS

Guelph, ONT Compton, CA
Hyderabad, IN

HPS Sentinel™ K

Energy Efficient Distribution Transformer

Transformateur de Distribution à Bon Rendement Énergétique

Baraboo, WI
Monterrey, MX

Part No. SK3A0150KB3K

LR 3902

DRY TYPE TRANSFORMER E112313

ALSO VERIFIED IN ACCORDANCE TO ENERGY STANDARD CRO22-18 BY UNDERWRIERS LABORATORIES INC. 3106

LISTED

Cust. Ref.	Serial No.	HV/HT	BIL	Term Bornes	LV/BT	BIL	Term Bornes
Ref. du Client	No. de Serie	480V	10 kV	H1 H2 H3	208Y/120V	10 kV	X0 X1 X2 X3
Phase							
Type							
Cooling Refroidissement							
kVA							
Temp. Rise Echauffement	150 °C						
Temp Class	220 °C						
Winding Enroulement	CU						
Frequency	60						
Impedance % @ 170 °C	3.5						
Encl Type Type De Coffrage	3R						
Weight Poids	1100						

VOLTS	CURRENT COURANT	% RATED VOLTAGE % NOMINALE	CONNECTION CONNECTION PAR PHASE
504	172	105	1
492	176	102.5	2
480	180	100	3
468	185	97.5	4
456	190	95	5
444	195	92.5	6
432	200	90	7

SEISMIC QUALIFICATIONS:
XS FLOOR MOUNT ONLY
IBC 2018/ASCE 7-16
SDS<=2.0g Z/n=1 Ip=1.5

SPACINGS BETWEEN ANY VENTILATED ENCLOSURE PANEL AND ANY ADJACENT WALL SHALL BE A MINIMUM OF 5 INCHES EXCEPT WHEN WALL MOUNTED USING APPROVED WALL MOUNTING KIT ELECTROSTATIC SHIELD

d000187hb



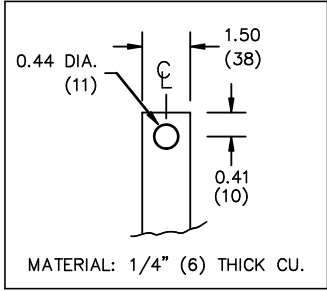
All Dimensions in inches

ENCLOSURE COLOR :ANSI 61 GREY – OUTDOOR

H.V.1. TERMINAL DETAIL

L.V.1. TERMINAL DETAIL

MECHANICAL TYPE LUGS INCLUDED
SUITABLE FOR 350MCM-6 CU/AL
CONDUCTORS
1 CONDUCTOR PER PHASE

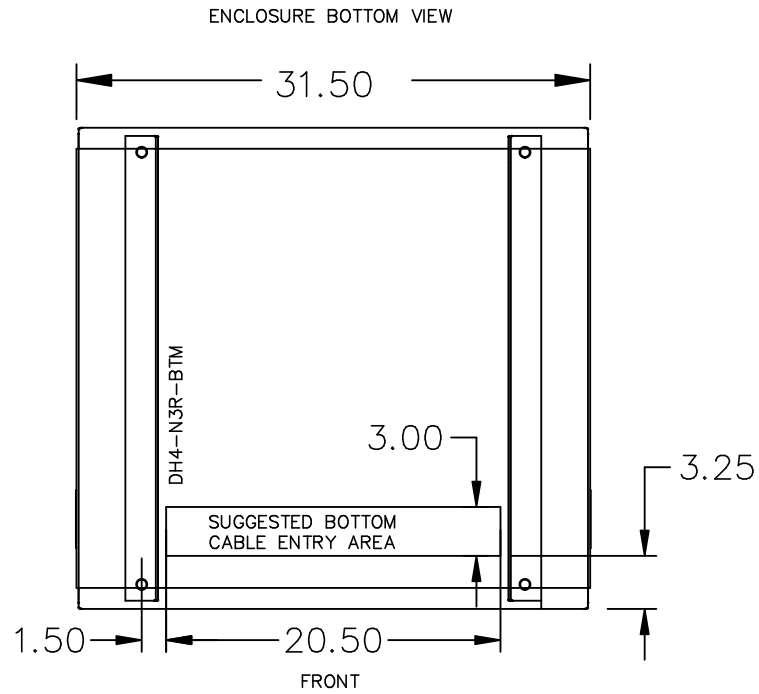


- CUSTOMER NOTES:
- HV1 TERMINATED AT TOP FRONT
 - LV1 TERMINATED AT BOTTOM FRONT



TITLE:		3PH DISTRIBUTION TRANSFORMER		
3	21/07/16	PP	EDB UPDATE	DES: JWEN
2	20/03/17	PP	SEISMIC UPDATE	DATE: 15/11/17
NO.	DATE	BY	REVISION	SCALE: NTS

SHEET 2 OF 3
EDBSK3A0150KB3K



NOTE:
 WHEN BOTTOM CABLE ENTRY IS OPTED, THE SPACE USED FOR CONDUITS IN THE FRONT OF THE TRANSFORMER SHOULD NOT OBSTRUCT MORE THAN 50% OF THE FRONT AIR INTAKE AREA DEFINED BETWEEN THE BOTTOM PLATE AND THE SUPPORTING LEGS.
 SEE MANUAL FOR ADDITIONAL INFORMATION



TITLE: 3PH DISTRIBUTION TRANSFORMER
 ENCLOSURE BOTTOM VIEW

3	21/07/16	PP	EDB UPDATE	DES: JWEN
2	20/03/17	PP	SEISMIC UPDATE	DATE: 15/11/17
NO.	DATE	BY	REVISION	SCALE: NTS

SHEET 3 OF 3

EDBSK3A0150KB3K