





TITLE:		3PH DISTRIBUTION TRANSFORMER NAMEPLATE INFORMATION	
2	21/07/16	PP	EDB UPDATE
1	20/03/17	PP	SEISMIC UPDATE
NO.	DATE	BY	REVISION
			DES: RMOVVA
			DATE: 18/10/22
			SCALE: NTS

SHEET 1 OF 3
EDBSK3A0112PK3K
2.0 httpd 2026/05/28 12:45



POWER SOLUTIONS
Guelph, ONT
Compton, CA

HPS Sentinel™ K
Energy Efficient Distribution Transformer
Transformateur de Distribution à Bon Rendement Énergétique



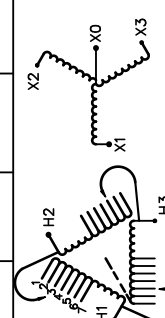
LR 3902
DRY TYPE TRANSFORMER
E112313
ALSO VERIFIED IN ACCORDANCE TO ENERGY STANDARD CROZ 2-18 BY UNDERWITERS LABORATORIES INC. © 306

Hyderabad, IN Monterrey, MX Part No. SK3A0112PK3K

Cust. Ref. / Ref. du Client	Serial No. / No. de Serie		
Phase	HV/HT	600V	108.3A
Type	BIL	10 kV	
Cooling / Refroidissement	Term Bornes	H1 H2 H3	
kVA	LV/BT	480Y/277V	135A
Temp. Rise / Echauffement	BIL	10 kV	
Temp Class / Classe Temp	Term Bornes	X0 X1 X2 X3	
Winding / Enroulement	Energy Regulations / Réglements Énergétique	DOE 10 CFR PART 431:2016	
Frequency / Fréquence Hz	CEE ACT SOR/2018-201		
Impedance % @ 170°C	Suitable for non-sinusoidal current load with K-factor not to exceed 13 Convient à des courants non-sinusoidaux avec facteur K n'excédant pas 13		
Encl Type / Type De Coffrage	3R		
Weight / Poids	795		

SPACINGS BETWEEN ANY VENTILATED ENCLOSURE PANEL AND ANY ADJACENT WALL SHALL BE A MINIMUM OF 5 INCHES EXCEPT WHEN WALL MOUNTED USING APPROVED WALL MOUNTING KIT ELECTROSTATIC SHIELD

VOLTS	CURRENT COURANT	% RATED VOLTAGE / % NOMINALE	CONNECTION / CONNECTION PAR PHASE
630	103.1	105	1
615	105.6	102.5	2
600	108.3	100	3
585	111	97.5	4
570	114	95	5
555	117	92.5	6
540	120	90	7

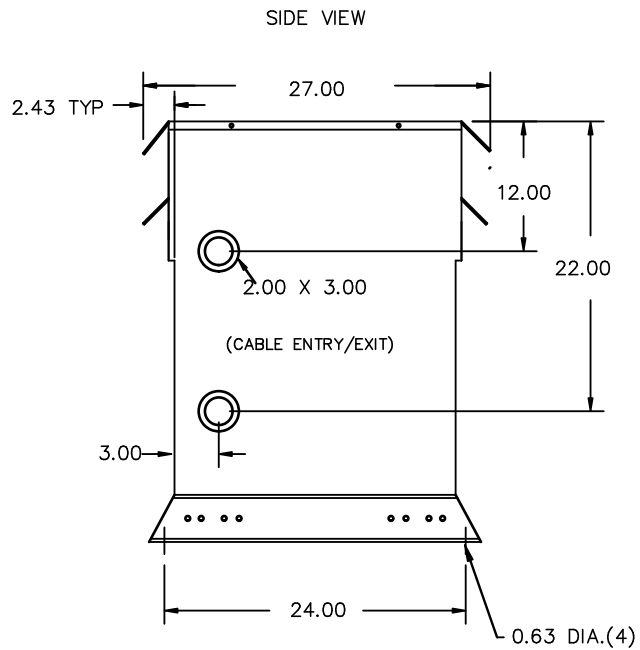


SEISMIC QUALIFICATIONS:
XS FLOOR MOUNT ONLY
IBC 2018/ASCE 7-16
SDS<=2.0g Z/n=1 Ip=1.5

d000187hb



All Dimensions in inches



ENCLOSURE COLOR :ANSI 61 GREY – OUTDOOR

HV TERMINAL DETAIL

LV TERMINAL DETAIL

X0 TERMINAL DETAIL

MECHANICAL TYPE LUGS INCLUDED
SUITABLE FOR 250MCM-6 CU/AL
CONDUCTORS
1 CONDUCTOR PER PHASE

MECHANICAL TYPE LUGS INCLUDED
SUITABLE FOR 250MCM-6 CU/AL
CONDUCTORS
1 CONDUCTOR PER PHASE

MECHANICAL TYPE LUGS INCLUDED
SUITABLE FOR 600MCM-2 CU/AL
CONDUCTORS
1 CONDUCTOR PER PHASE

CUSTOMER NOTES:

- HV TERMINATED AT TOP FRONT
- LV TERMINATED AT BOTTOM FRONT
- X0 TERMINATED AT BOTTOM FRONT
- 200% RATED NEUTRAL PROVIDED



TITLE: 3PH DISTRIBUTION TRANSFORMER

2	21/07/16	PP	EDB UPDATE	DES: RMOVVA
1	20/03/17	PP	SEISMIC UPDATE	DATE: 18/10/22
NO.	DATE	BY	REVISION	SCALE: NTS

SHEET 2 OF 3

EDBSK3A0112PK3K

ENCLOSURE BOTTOM VIEW



NOTE:
 WHEN BOTTOM CABLE ENTRY IS OPTED, THE SPACE USED FOR CONDUITS IN THE FRONT OF THE TRANSFORMER SHOULD NOT OBSTRUCT MORE THAN 50% OF THE FRONT AIR INTAKE AREA DEFINED BETWEEN THE BOTTOM PLATE AND THE SUPPORTING LEGS.
 SEE MANUAL FOR ADDITIONAL INFORMATION



TITLE: 3PH DISTRIBUTION TRANSFORMER
 ENCLOSURE BOTTOM VIEW

2	21/07/16	PP	EDB UPDATE	DES: RMOVVA
1	20/03/17	PP	SEISMIC UPDATE	DATE: 18/10/22
NO.	DATE	BY	REVISION	SCALE: NTS

SHEET 3 OF 3

EDBSK3A0112PK3K