



TITLE: 3PH DISTRIBUTION TRANSFORMER  
NAMEPLATE INFORMATION

5	23/05/26	DC	ADDED NOTE FOR NEUTRAL	DES: JWEN
4	21/11/25	CS	NPL IMPEDANCE AND WEIGHT UPDATE	DATE: 15/11/17
NO.	DATE	BY	REVISION	SCALE: NTS

SHEET 1 OF 3

EDBSK3A0112PB9S

5.0 httpd 2026/06/03 12:13

THIS DRAWING CONTAINS STRICTLY CONFIDENTIAL INFORMATION BELONGING TO HAMMOND POWER SOLUTIONS AND MUST NOT BE DISTRIBUTED OUTSIDE AUTHORIZED PARTIES.

**hammond**  
POWER SOLUTIONS

Guelph, ONT Compton, CA  
Hyderabad, IN Compton, CA

**HPS Sentinel™ K**  
Energy Efficient Distribution Transformer  
Transformateur de Distribution à Bon Rendement Énergétique

Part No. SK3A0112PB9S

Serial No. [ ]  
No. de Serie [ ]

HV/HT 600V

BIL 10 kV

Term Bornes H1 H2 H3

LV/BT 208Y/120V

BIL 10 kV

Term Bornes X0 X1 X2 X3

Energy Regulations DOE 10 CFR PART 431:2016

Reglements Energetique CEE ACT SOR/2018-201

Impedance % 5.3

Encl Type 3R

Weight lbs/kg 740/336

Phase 3

Type K

Cooling Refroidissement ANN

kVA 112.5

Temp. Rise Echauffement 150 °C

Temp Class 220 °C

Winding Enroulement AL

Frequency 60

Impedance % @ 170 °C 5.3

Current COURANT 103.1  
615  
105.6  
102.5  
100  
97.5  
111.0  
95  
114.0  
92.5  
117.0  
90

Volts 630  
615  
600  
585  
570  
555  
540

% Rated Voltage % NOMINALE

CONNECTION DIAGRAM PAR PHASE

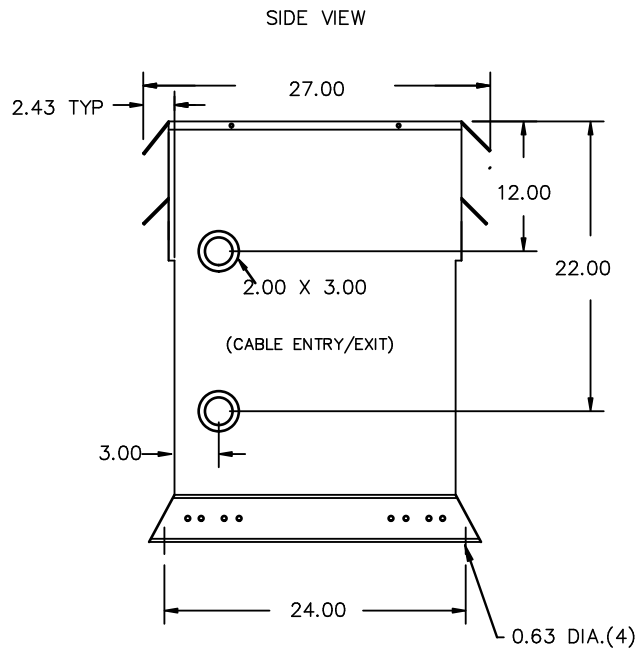
SPACINGS BETWEEN ANY VENTILATED ENCLOSURE PANEL AND ANY ADJACENT WALL SHALL BE A MINIMUM OF 5 INCHES EXCEPT WHEN WALL MOUNTED USING APPROVED WALL MOUNTING KIT ELECTROSTATIC SHIELD

SEISMIC QUALIFICATIONS:  
AS FLOOR MOUNT ONLY  
IBC 2018/ASCE 7-16  
SDS<=2.0g Z/n=1 Ip=1.5

d000187hb



All Dimensions in inches



ENCLOSURE COLOR :ANSI 61 GREY – OUTDOOR

H.V.1. TERMINAL DETAIL

L.V.1. TERMINAL DETAIL

MECHANICAL TYPE LUGS INCLUDED  
SUITABLE FOR 250MCM-6 CU/AL  
CONDUCTORS  
1 CONDUCTOR PER PHASE

MECHANICAL TYPE LUGS INCLUDED  
SUITABLE FOR 350MCM-6 CU/AL  
CONDUCTORS  
2 CONDUCTORS PER PHASE

CUSTOMER NOTES:

- HV1 TERMINATED AT TOP FRONT
- LV1 TERMINATED AT BOTTOM FRONT
- 200% RATED NEUTRAL PROVIDED



TITLE: 3PH DISTRIBUTION TRANSFORMER

5	23/05/26	DC	ADDED NOTE FOR NEUTRAL	DES: JWEN
4	21/11/25	CS	NPL IMPEDANCE AND WEIGHT UPDATE	DATE: 15/11/17
NO.	DATE	BY	REVISION	SCALE: NTS

SHEET 2 OF 3

EDBSK3A0112PB9S

ENCLOSURE BOTTOM VIEW



NOTE:  
 WHEN BOTTOM CABLE ENTRY IS OPTED, THE SPACE USED FOR CONDUITS IN THE FRONT OF THE TRANSFORMER SHOULD NOT OBSTRUCT MORE THAN 50% OF THE FRONT AIR INTAKE AREA DEFINED BETWEEN THE BOTTOM PLATE AND THE SUPPORTING LEGS.  
 SEE MANUAL FOR ADDITIONAL INFORMATION



TITLE: 3PH DISTRIBUTION TRANSFORMER  
 ENCLOSURE BOTTOM VIEW

5	23/05/26	DC	ADDED NOTE FOR NEUTRAL	DES: JWEN
4	21/11/25	CS	NPL IMPEDANCE AND WEIGHT UPDATE	DATE: 15/11/17
NO.	DATE	BY	REVISION	SCALE: NTS

SHEET 3 OF 3

EDBSK3A0112PB9S