



TITLE: 3PH DISTRIBUTION TRANSFORMER
NAMEPLATE INFORMATION


6	21/11/25	CS	NPL IMPEDANCE AND WEIGHT UPDATE	DES: JWEN
5	21/07/16	PP	EDB UPDATE	DATE: 15/11/17
NO.	DATE	BY	REVISION	SCALE: NTS

SHEET 1 OF 3

EDBSK3A0112PB3K

6.0 httpd 2026/06/03 13:29

THIS DRAWING CONTAINS STRICTLY CONFIDENTIAL INFORMATION BELONGING TO HAMMOND POWER SOLUTIONS AND MUST NOT BE DISTRIBUTED OUTSIDE AUTHORIZED PARTIES.



POWER SOLUTIONS
Guelph, ONT Compton, CA
Hyderabad, IN Compton, CA Monterrey, MX

HPS Sentinel™ K
Energy Efficient Distribution Transformer
Transformateur de Distribution à Bon Rendement Énergétique


Part No. SK3A0112PB3K

Serial No. []
HV/HT 600V
BIL 10 kV
Term Bornes H1 H2 H3
LV/BT 208Y/120V 312A
BIL 10 kV
Term Bornes X0 X1 X2 X3
Energy Regulations DOE 10 CFR PART 431:2016
Reglements Energetique CEE ACT SOR/2018-201

Cust. Ref. []
Phase 3
Type K
Cooling Refroidissement ANN
kVA 112.5
Temp. Rise Echauffement 150 °C
Temp Class 220 °C
Winding Enroulement CU
Frequency 60
Impedance % @ 170 °C 3.2
Encl Type 3R
Weight Poids 815 lbs

Spacings between any ventilated enclosure panel and any adjacent wall shall be a minimum of 5 inches except when wall mounted using approved wall mounting kit electrostatic shield

VOLTS	CURRENT COURANT	% RATED VOLTAGE % NOMINALE	CONNECTION FOR CONNECTION PAR PHASE
630	103.1	105	1
615	105.6	102.5	2
600	108.3	100	3
585	111	97.5	4
570	114	95	5
555	117	92.5	6
540	120	90	7



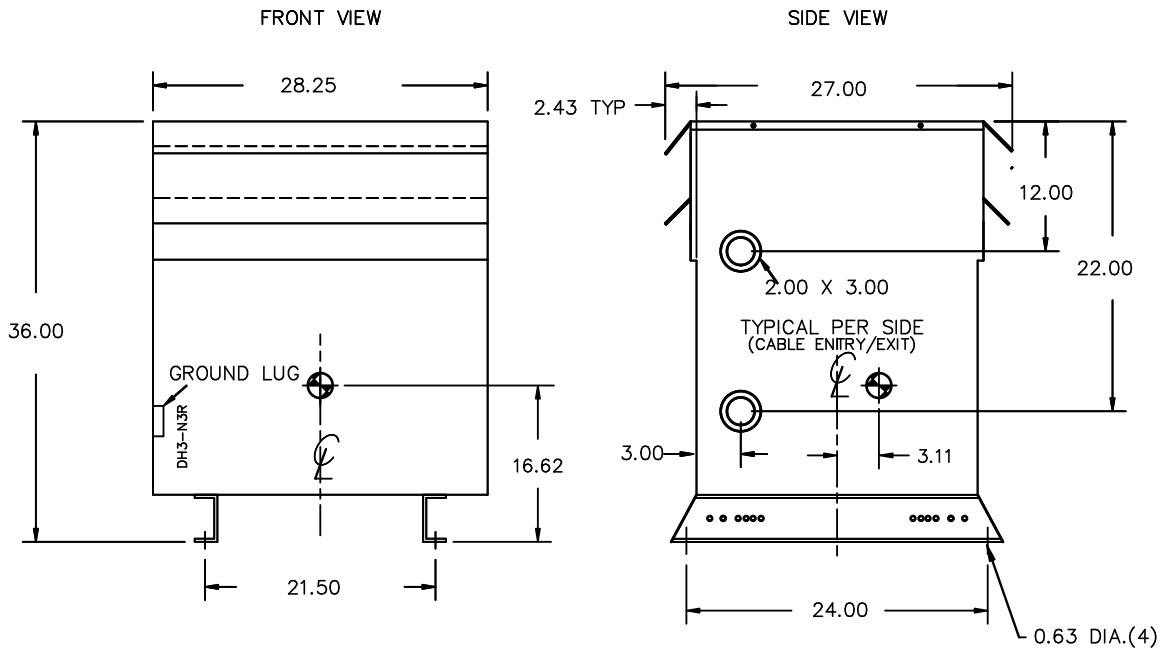
SEISMIC QUALIFICATIONS:
AS FLOOR MOUNT ONLY
IBC 2018/ASCE 7-16
SDS<=2.0g Z/n=1 Ip=1.5

d000187hb



SP @ LR 3902
DRY TYPE TRANSFORMER E112313
ALSO VERIFIED IN ACCORDANCE TO ENERGY STANDARD CRO22-18 BY UNDERWITERS LABORATORIES INC. 3106

LISTED
UL
UL E112313



All Dimensions in inches

ENCLOSURE COLOR :ANSI 61 GREY – OUTDOOR

HV TERMINAL DETAIL

LV TERMINAL DETAIL

MECHANICAL TYPE LUGS INCLUDED
SUITABLE FOR 250MCM-6 CU/AL
CONDUCTORS
1 CONDUCTOR PER PHASE

MECHANICAL TYPE LUGS INCLUDED
SUITABLE FOR 350MCM-6 CU/AL
CONDUCTORS
2 CONDUCTORS PER PHASE

CUSTOMER NOTES:

- HV TERMINATED AT TOP FRONT
- LV TERMINATED AT BOTTOM FRONT
- 200% RATED NEUTRAL XO HAS QTY 2 LUGS



TITLE: 3PH DISTRIBUTION TRANSFORMER

6	21/11/25	CS	NPL IMPEDANCE AND WEIGHT UPDATE	DES: JWEN
5	21/07/16	PP	EDB UPDATE	DATE: 15/11/17
NO.	DATE	BY	REVISION	SCALE: NTS

SHEET 2 OF 3

EDBSK3A0112PB3K

ENCLOSURE BOTTOM VIEW



NOTE:
 WHEN BOTTOM CABLE ENTRY IS OPTED, THE SPACE USED FOR CONDUITS IN THE FRONT OF THE TRANSFORMER SHOULD NOT OBSTRUCT MORE THAN 50% OF THE FRONT AIR INTAKE AREA DEFINED BETWEEN THE BOTTOM PLATE AND THE SUPPORTING LEGS.
 SEE MANUAL FOR ADDITIONAL INFORMATION



TITLE: 3PH DISTRIBUTION TRANSFORMER
 ENCLOSURE BOTTOM VIEW

6	21/11/25	CS	NPL IMPEDANCE AND WEIGHT UPDATE	DES: JWEN
5	21/07/16	PP	EDB UPDATE	DATE: 15/11/17
NO.	DATE	BY	REVISION	SCALE: NTS

SHEET 3 OF 3

EDBSK3A0112PB3K