



TITLE: 3PH DISTRIBUTION TRANSFORMER
NAMEPLATE INFORMATION


NO.	DATE	BY	REVISION
4	21/11/25	CS	NPL IMPEDANCE AND WEIGHT UPDATE
3	21/07/16	PP	EDB UPDATE

SHEET 1 OF 3

EDBSK3A0112KB9K


4.0 httpd 2026/04/02 04:00

THIS DRAWING CONTAINS STRICTLY CONFIDENTIAL INFORMATION BELONGING TO HAMMOND POWER SOLUTIONS AND MUST NOT BE DISTRIBUTED OUTSIDE AUTHORIZED PARTIES.



POWER SOLUTIONS
Guelph, ONT
Compton, CA

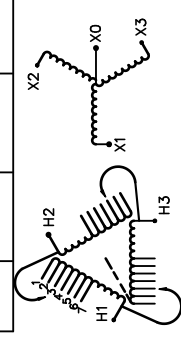
HPS Sentinel™ K
Energy Efficient Distribution Transformer
Transformateur de Distribution à Bon Rendement Énergétique



LR 3902
DRY TYPE TRANSFORMER
E112313
ALSO VERIFIED IN ACCORDANCE TO ENERGY STANDARD CROZ2-18 BY UNDERWITERS LABORATORIES INC. © 306

Hyderabad, IN Monterrey, MX Part No. SK3A0112KB9K

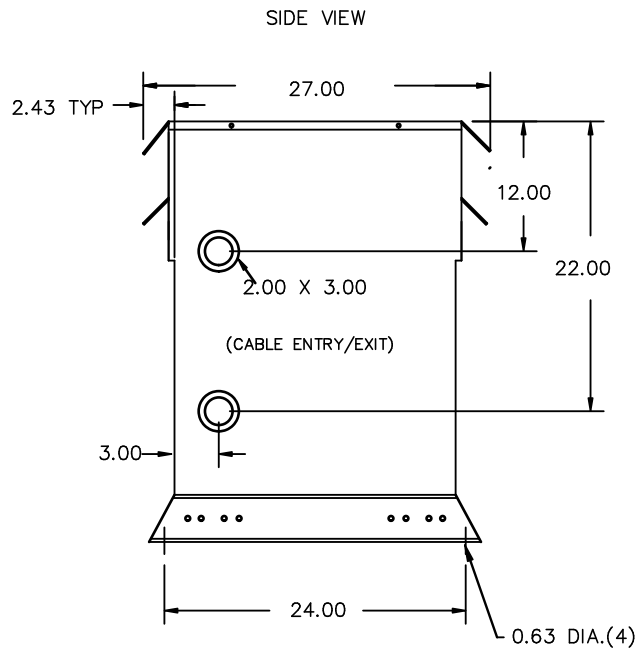
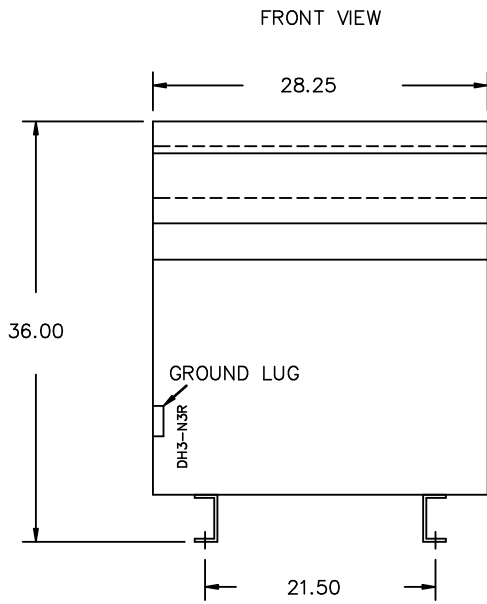
Cust. Ref.	Serial No.	HV/HT	VOLTS	CURRENT COURANT	% RATED VOLTAGE % NOMINALE	CONNECTION CONNECTION PAR PHASE
3	K	480V	504	129.0	105	1
Type	BIL	10 kV	492	132.0	102.5	2
Cooling Refroidissement	ANN	H1 H2 H3	480	135.0	100	3
kVA	112.5	LV/BT	468	139.0	97.5	4
Temp. Rise Echauffement	150 °C	BIL	456	142.0	95	5
Temp Class	220 °C	Term Bornes	444	146.0	92.5	6
Winding Enroulement	CU	DOE 10 CFR PART 431:2016	432	150.0	90	7
Frequency	60	CEE ACT SOR/2018-201				
Impedance % @ 170 °C	4.1	Suitable for non-sinusoidal current load with K-factor not to exceed 9				
Encl Type Type De Coffrage	3R	Convient à des courants non-sinusoidaux avec facteur K n'excédant pas				
Weight Poids	855					



SEISMIC QUALIFICATIONS:
XS FLOOR MOUNT ONLY
IBC 2018/ASCE 7-16
SDS<=2.0g Z/n=1 Ip=1.5

SPACINGS BETWEEN ANY VENTILATED ENCLOSURE PANEL AND ANY ADJACENT WALL SHALL BE A MINIMUM OF 5 INCHES EXCEPT WHEN WALL MOUNTED USING APPROVED WALL MOUNTING KIT ELECTROSTATIC SHIELD

d000187hb



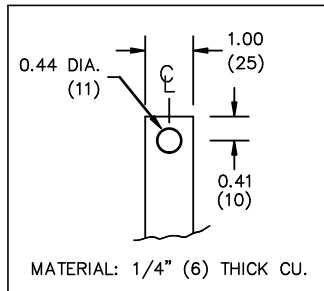
All Dimensions in inches

ENCLOSURE COLOR :ANSI 61 GREY – OUTDOOR

H.V.1. TERMINAL DETAIL

L.V.1. TERMINAL DETAIL

MECHANICAL TYPE LUGS INCLUDED
SUITABLE FOR 250MCM-6 CU/AL
CONDUCTORS
1 CONDUCTOR PER PHASE



CUSTOMER NOTES:

- HV1 TERMINATED AT TOP FRONT
- LV1 TERMINATED AT BOTTOM FRONT



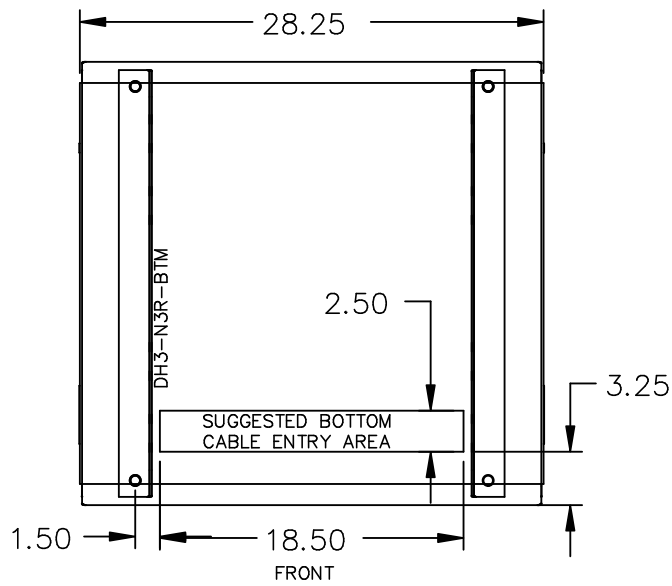
TITLE: 3PH DISTRIBUTION TRANSFORMER

4	21/11/25	CS	NPL IMPEDANCE AND WEIGHT UPDATE	DES: JWEN
3	21/07/16	PP	EDB UPDATE	DATE: 15/11/17
NO.	DATE	BY	REVISION	SCALE: NTS

SHEET 2 OF 3

EDBSK3A0112KB9K

ENCLOSURE BOTTOM VIEW



NOTE:
 WHEN BOTTOM CABLE ENTRY IS OPTED, THE SPACE USED FOR CONDUITS IN THE FRONT OF THE TRANSFORMER SHOULD NOT OBSTRUCT MORE THAN 50% OF THE FRONT AIR INTAKE AREA DEFINED BETWEEN THE BOTTOM PLATE AND THE SUPPORTING LEGS.
 SEE MANUAL FOR ADDITIONAL INFORMATION



TITLE: 3PH DISTRIBUTION TRANSFORMER
 ENCLOSURE BOTTOM VIEW

4	21/11/25	CS	NPL IMPEDANCE AND WEIGHT UPDATE	DES: JWEN
3	21/07/16	PP	EDB UPDATE	DATE: 15/11/17
NO.	DATE	BY	REVISION	SCALE: NTS

SHEET 3 OF 3

EDBSK3A0112KB9K