



TITLE: 3PH DISTRIBUTION TRANSFORMER NAMEPLATE INFORMATION			
3	21/07/16	PP	EDB UPDATE
2	20/03/17	PP	SEISMIC UPDATE
NO.	DATE	BY	REVISION
			DES: JWEN
			DATE: 15/11/17
			SCALE: NTS

SHEET 1 OF 3  
EDBSK3A0112KB3S

**POWER SOLUTIONS**  
Guelph, ONT Compton, CA  
Hyderabad, IN

**HPS Sentinel™ K**  
Energy Efficient Distribution Transformer  
Transformateur de Distribution à Bon Rendement Énergétique

LR 3902  
DRY TYPE TRANSFORMER  
E112313  
ALSO VERIFIED IN ACCORDANCE TO ENERGY STANDARD CRO22-18 BY UNDERWRIERS LABORATORIES INC. © 316

Part No. SK3A0112KB3S

Cust. Ref. Ref. du Client	Serial No. No. de Serie	HV/HT	VOLTS	CURRENT COURANT	% RATED VOLTAGE % NOMINALE	CONNECTION CONFIGURATION PAR PHASE
3	K	480V	504	129	105	1
	ANN	10 kV	492	132	102.5	2
	112.5	H1 H2 H3	480	135	100	3
	150 °C	LV/BT	468	139	97.5	4
	220 °C	BIL	456	142	95	5
	AL	BIL	444	146	92.5	6
	60	Term Bornes	432	150	90	7
	5.9	Energy Regulations				
	3R	Reglements Energetique				
	740	CEE ACT SOR/2018-201				
		DOE 10 CFR PART 431:2016				
		Suitable for non-sinusoidal current load with K-factor not to exceed 13				
		Convient à des courants non-sinusoidaux avec facteur K n'excédant pas 13				

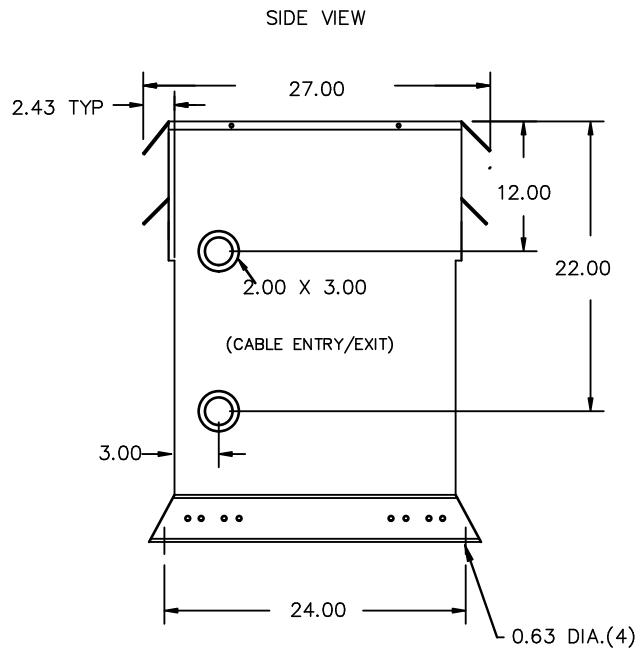
SEISMIC QUALIFICATIONS:  
XS FLOOR MOUNT ONLY  
IBC 2018/ASCE 7-16  
SDS<=2.0g Z/n=1 Ip=1.5

SPACINGS BETWEEN ANY VENTILATED ENCLOSURE PANEL AND ANY ADJACENT WALL SHALL BE A MINIMUM OF 5 INCHES EXCEPT WHEN WALL MOUNTED USING APPROVED WALL MOUNTING KIT ELECTROSTATIC SHIELD

d000187hb



All Dimensions in inches

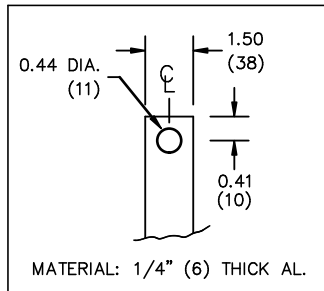


ENCLOSURE COLOR :ANSI 61 GREY – OUTDOOR

H.V.1. TERMINAL DETAIL

L.V.1. TERMINAL DETAIL

MECHANICAL TYPE LUGS INCLUDED  
SUITABLE FOR 250MCM-6 CU/AL  
CONDUCTORS  
1 CONDUCTOR PER PHASE



MATERIAL: 1/4" (6) THICK AL.

CUSTOMER NOTES:

- HV1 TERMINATED AT TOP FRONT
- LV1 TERMINATED AT BOTTOM FRONT



TITLE: 3PH DISTRIBUTION TRANSFORMER

3	21/07/16	PP	EDB UPDATE	DES: JWEN
2	20/03/17	PP	SEISMIC UPDATE	DATE: 15/11/17
NO.	DATE	BY	REVISION	SCALE: NTS

SHEET 2 OF 3

EDBSK3A0112KB3S

ENCLOSURE BOTTOM VIEW



NOTE:  
 WHEN BOTTOM CABLE ENTRY IS OPTED, THE SPACE USED FOR CONDUITS IN THE FRONT OF THE TRANSFORMER SHOULD NOT OBSTRUCT MORE THAN 50% OF THE FRONT AIR INTAKE AREA DEFINED BETWEEN THE BOTTOM PLATE AND THE SUPPORTING LEGS.  
 SEE MANUAL FOR ADDITIONAL INFORMATION



TITLE: 3PH DISTRIBUTION TRANSFORMER  
 ENCLOSURE BOTTOM VIEW

3	21/07/16	PP	EDB UPDATE	DES: JWEN
2	20/03/17	PP	SEISMIC UPDATE	DATE: 15/11/17
NO.	DATE	BY	REVISION	SCALE: NTS

SHEET 3 OF 3

EDBSK3A0112KB3S