




TITLE: 3PH DISTRIBUTION TRANSFORMER
NAMEPLATE INFORMATION

NO.	DATE	BY	REVISION	SCALE:
5	24/06/03	AO	EDB UPDATE	DES: ASETH
4	21/07/16	PP	EDB UPDATE	DATE: 16/12/09
				NTS

SHEET 1 OF 3


EDBSK3A0075KK4S

5.0 httpd 2026/06/07 20:46



POWER SOLUTIONS
Guelph, ONT
Compton, CA

HPS Sentinel™ K
Energy Efficient Distribution Transformer
Transformateur de Distribution à Bon Rendement Énergétique



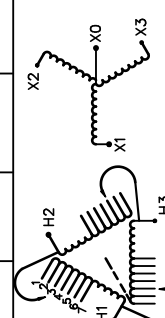
LR 3902
DRY TYPE TRANSFORMER E112313
ALSO VERIFIED IN ACCORDANCE TO ENERGY STANDARD CROZ-18 BY UNDERMETERS LABORATORIES INC. 3106

Hyderabad, IN Monterrey, MX Part No. SK3A0075KK4S

Cust. Ref.	Serial No.	HV/HT	480V	90.2A	VOLTS
Ref. du Client	No. de Serie	HV/HT	480V	90.2A	504
Phase	BIL	BIL	10 kV		492
Type	Term Bornes	Term Bornes	H1 H2 H3		480
Cooling Refroidissement	LV/BT	LV/BT	480Y/277V	90.2A	468
kVA	Temp. Rise	Temp. Rise	150 °C		456
	Echauffement	Echauffement	220 °C		444
Temp. Class	Classe Temp	Classe Temp	AL		432
Temp. Class	Temp. Class	Temp. Class	220 °C		
Winding	Energy Regulations	Energy Regulations	DOE 10 CFR PART 431:2016		
Enroulement	Reglements Energetique	Reglements Energetique	CEE ACT SOR/2018-201		
Frequency	Frequency Hz	Frequency Hz	60		
Impedance %	Impedance %	Impedance %	4.1		
Encl. Type	Encl. Type	Encl. Type	3R		
Type De Coffrage	Weight lbs/kg	Weight lbs/kg	575/261		

Spacings between any ventilated enclosure panel and any adjacent wall shall be a minimum of 3 inches
Écartements entre tout panneau de ventilation et toute paroi adjacente doivent être d'un minimum de 3 po

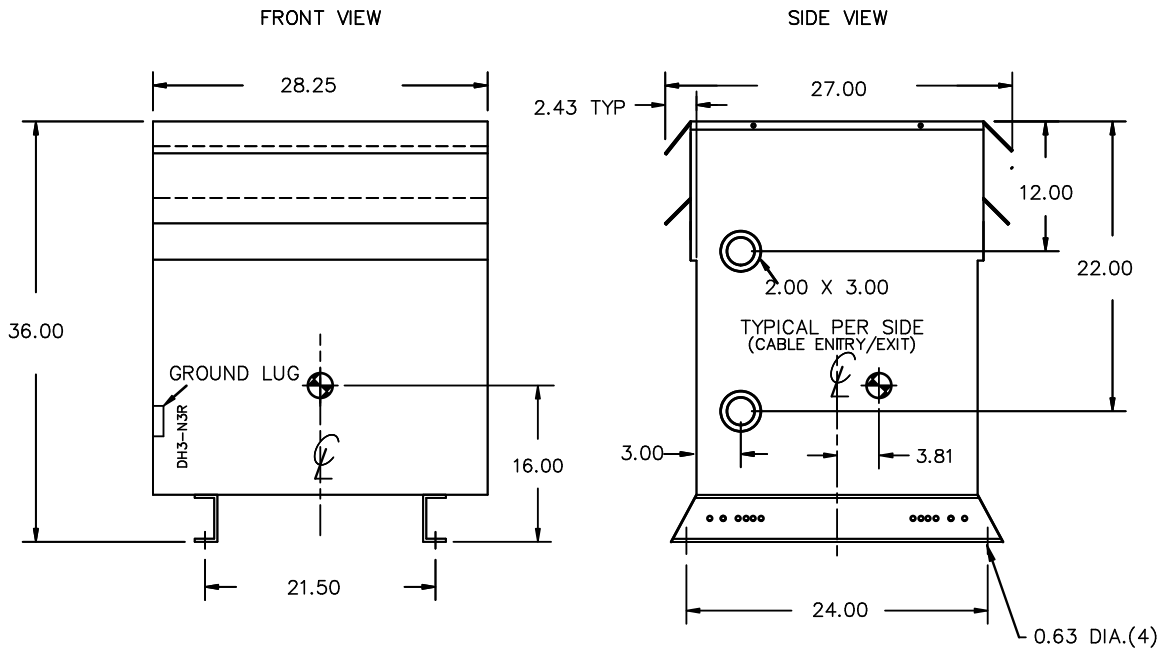
CONNECTION TERMINAL	% RATED VOLTAGE NOMINAL	CURRENT COURANT	CONNECTION TERMINAL PAR PHASE
1	105	85.9	1
2	102.5	88.0	2
3	100	90.2	3
4	97.5	92.5	4
5	95	95.0	5
6	92.5	97.5	6
7	90	100.2	7



SEISMIC QUALIFICATIONS:
X3 FLOOR MOUNT ONLY
IBC 2018/ASCE 7-16
SDS<=2.0g Z/n=1 Ip=1.5

d000187hb

THIS DRAWING CONTAINS STRICTLY CONFIDENTIAL INFORMATION BELONGING TO HAMMOND POWER SOLUTIONS AND MUST NOT BE DISTRIBUTED OUTSIDE AUTHORIZED PARTIES.



All Dimensions in inches

ENCLOSURE COLOR :ANSI 61 GREY – OUTDOOR

HV TERMINAL DETAIL

LV TERMINAL DETAIL

X0 TERMINAL DETAIL

MECHANICAL TYPE LUGS INCLUDED
SUITABLE FOR #2/0-14 CU/AL
CONDUCTORS
1 CONDUCTOR PER PHASE

MECHANICAL TYPE LUGS INCLUDED
SUITABLE FOR #2/0-14 CU/AL
CONDUCTORS
1 CONDUCTOR PER PHASE

MECHANICAL TYPE LUGS INCLUDED
SUITABLE FOR 350MCM-6 CU/AL
CONDUCTORS
1 CONDUCTOR PER PHASE

CUSTOMER NOTES:

- HV TERMINATED AT TOP FRONT
- LV TERMINATED AT BOTTOM FRONT
- X0 TERMINATED AT BOTTOM FRONT
- 200% RATED NEUTRAL PROVIDED



TITLE: 3PH DISTRIBUTION TRANSFORMER

5	24/06/03	AO	EDB UPDATE	DES: ASETH
4	21/07/16	PP	EDB UPDATE	DATE: 16/12/09
NO.	DATE	BY	REVISION	SCALE: NTS

SHEET 2 OF 3

EDBSK3A0075K44S

ENCLOSURE BOTTOM VIEW



NOTE:
 WHEN BOTTOM CABLE ENTRY IS OPTED, THE SPACE USED FOR CONDUITS IN THE FRONT OF THE TRANSFORMER SHOULD NOT OBSTRUCT MORE THAN 50% OF THE FRONT AIR INTAKE AREA DEFINED BETWEEN THE BOTTOM PLATE AND THE SUPPORTING LEGS.
 SEE MANUAL FOR ADDITIONAL INFORMATION



TITLE: 3PH DISTRIBUTION TRANSFORMER
 ENCLOSURE BOTTOM VIEW

5	24/06/03	AO	EDB UPDATE	DES: ASETH
4	21/07/16	PP	EDB UPDATE	DATE: 16/12/09
NO.	DATE	BY	REVISION	SCALE: NTS

SHEET 3 OF 3

EDBSK3A0075K44S