




TITLE: 3PH DISTRIBUTION TRANSFORMER  
NAMEPLATE INFORMATION

|     |          |    |                |                |
|-----|----------|----|----------------|----------------|
| NO. | DATE     | BY | REVISION       | SCALE:         |
| 2   | 21/07/16 | PP | EDB UPDATE     | DES: PPICASSI  |
| 1   | 20/03/17 | PP | SEISMIC UPDATE | DATE: 18/06/06 |
|     |          |    |                | NTS            |

SHEET 1 OF 3

EDBSK3A0075KK3S

2.0 httpd 2026/04/02 10:45



**POWER SOLUTIONS**  
Guelph, ONT  
Compton, CA

**HPS Sentinel™ K**  
Energy Efficient Distribution Transformer  
Transformateur de Distribution à Bon Rendement Énergétique

LR 3902  
DRY TYPE TRANSFORMER E112313  
ALSO VERIFIED IN ACCORDANCE TO ENERGY STANDARD CROZ2-18 BY UNDERMETERS LABORATORIES INC. 3106

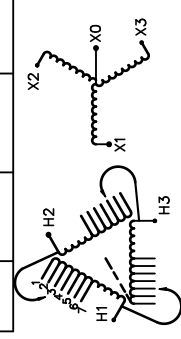
Hyderabad, IN    Monterrey, MX    Part No. SK3A0075KK3S

|                               |                            |  |                          |       |  |
|-------------------------------|----------------------------|--|--------------------------|-------|--|
| Cust. Ref.<br>Ref. du Client  | Serial No.<br>No. de Serie | HV/HT  | 480V                     | 90.2A |  |
| Phase                         | 3                          | BIL  | 10 kV                    |       |  |
| Type                          | K                          | Term Bornes                                  | H1 H2 H3                 |       |  |
| Cooling<br>Refroidissement    | ANN                        | LV/BT  | 480Y/277V                | 90.2A |  |
| kVA                           | 75                         | BIL  | 10 kV                    |       |  |
| Temp. Rise<br>Echauffement    | 150 °C                     | Term Bornes                                  | X0 X1 X2 X3              |       |  |
| Temp Class<br>Classe Temp     | 220 °C                     | Energy Regulations<br>Règlements Énergétique | DOE 10 CFR PART 431:2016 |       |  |
| Winding<br>Enroulement        | AL                         | Frequency<br>Fréquence Hz                    | 60                       |       |  |
| Impedance %<br>@ 170 °C       | 4.2                        | Impedance %<br>Type De Coiffage              | 3R                       |       |  |
| Encl Type<br>Type De Coiffage | 3R                         | Weight<br>Poids lbs                          | 565                      |       |  |

Serial No. [ ]    HV/HT 480V    BIL 10 kV    Term Bornes H1 H2 H3    LV/BT 480Y/277V    BIL 10 kV    Term Bornes X0 X1 X2 X3    Energy Regulations Règlements Énergétique DOE 10 CFR PART 431:2016    Frequency Fréquence Hz 60    Impedance % @ 170 °C 4.2    Encl Type Type De Coiffage 3R    Weight Poids lbs 565

| VOLTS | CURRENT<br>COURANT | % RATED<br>VOLTAGE<br>% NOMINALE | CONNECTION<br>CONFIGURATION<br>PAR PHASE |
|-------|--------------------|----------------------------------|--|
| 504   | 85.9               | 105                              | 1  |
| 492   | 88.0               | 102.5                            | 2  |
| 480   | 90.2               | 100                              | 3  |
| 468   | 92.5               | 97.5                             | 4  |
| 456   | 95.0               | 95                               | 5  |
| 444   | 97.5               | 92.5                             | 6  |
| 432   | 100.2              | 90                               | 7  |

SPACINGS BETWEEN ANY VENTILATED ENCLOSURE PANEL AND ANY ADJACENT WALL SHALL BE A MINIMUM OF 3 INCHES  
ÉLECTROSTATIC SHIELD

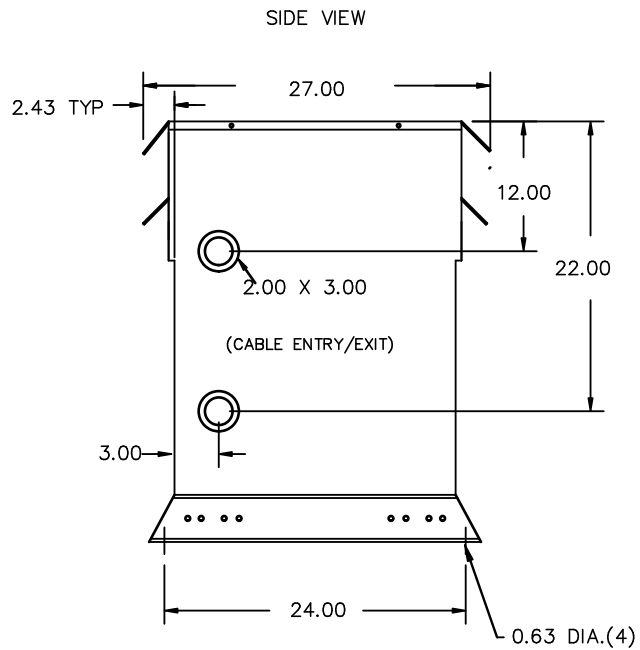


SEISMIC QUALIFICATIONS:  
XS FLOOR MOUNT ONLY  
IBC 2018/ASCE 7-16  
SDS<=2.0g Z/n=1 Ip=1.5

d000187hb



All Dimensions in inches



ENCLOSURE COLOR :ANSI 61 GREY – OUTDOOR

HV TERMINAL DETAIL

LV TERMINAL DETAIL

X0 TERMINAL DETAIL

MECHANICAL TYPE LUGS INCLUDED  
SUITABLE FOR #2/0-14 CU/AL  
CONDUCTORS  
1 CONDUCTOR PER PHASE

MECHANICAL TYPE LUGS INCLUDED  
SUITABLE FOR #2/0-14 CU/AL  
CONDUCTORS  
1 CONDUCTOR PER PHASE

MECHANICAL TYPE LUGS INCLUDED  
SUITABLE FOR 350MCM-6 CU/AL  
CONDUCTORS  
1 CONDUCTOR PER PHASE

CUSTOMER NOTES:

- HV TERMINATED AT TOP FRONT
- LV TERMINATED AT BOTTOM FRONT
- X0 TERMINATED AT BOTTOM FRONT
- 200% RATED NEUTRAL PROVIDED



TITLE: 3PH DISTRIBUTION TRANSFORMER

|     |          |    |                |                |
|-----|----------|----|----------------|----------------|
| 2   | 21/07/16 | PP | EDB UPDATE     | DES: PPICASSI  |
| 1   | 20/03/17 | PP | SEISMIC UPDATE | DATE: 18/06/06 |
| NO. | DATE     | BY | REVISION       | SCALE: NTS     |

SHEET 2 OF 3

EDBSK3A0075K3S

ENCLOSURE BOTTOM VIEW



NOTE:  
 WHEN BOTTOM CABLE ENTRY IS OPTED, THE SPACE USED FOR CONDUITS IN THE FRONT OF THE TRANSFORMER SHOULD NOT OBSTRUCT MORE THAN 50% OF THE FRONT AIR INTAKE AREA DEFINED BETWEEN THE BOTTOM PLATE AND THE SUPPORTING LEGS.  
 SEE MANUAL FOR ADDITIONAL INFORMATION



TITLE: 3PH DISTRIBUTION TRANSFORMER  
 ENCLOSURE BOTTOM VIEW

|     |          |    |                |                |
|-----|----------|----|----------------|----------------|
| 2   | 21/07/16 | PP | EDB UPDATE     | DES: PPICASSI  |
| 1   | 20/03/17 | PP | SEISMIC UPDATE | DATE: 18/06/06 |
| NO. | DATE     | BY | REVISION       | SCALE: NTS     |

SHEET 3 OF 3

EDBSK3A0075K3S