



TITLE: 3PH DISTRIBUTION TRANSFORMER  
NAMEPLATE INFORMATION

3	21/07/16	PP	EDB UPDATE	DES: RBHATIA
2	20/03/17	PP	SEISMIC UPDATE	DATE: 16/11/28
NO.	DATE	BY	REVISION	SCALE: NTS

SHEET 1 OF 3

EDBSK3A0075KK3K

3.0 httpd 2026/06/25 01:35

**POWER SOLUTIONS**

Hyderabad, IN    Guelph, ONT    Baraboo, WI    Monterrey, MX

**HPS Sentinel™ K**

Energy Efficient Distribution Transformer

Transformateur de Distribution à Bon Rendement Énergétique

Part No. SK3A0075KK3K

LR 3902

DRY TYPE TRANSFORMER E1123.13

ALSO VERIFIED IN ACCORDANCE TO ENERGY STANDARD CRO22-18 BY UNDERWRIERS LABORATORIES INC. © 316

**LISTED**

Cust. Ref.	Serial No.	HV/HT	BIL	Term Bornes	LV/BT	BIL	Term Bornes	Energy Regulations	CEE ACT SOR/2018-201
Ref. du Client	No. de Serie	480V	10 kV	H1 H2 H3	480Y/277V	150 °C	X0 X1 X2 X3	DOE 10 CFR PART 431:2016	DOE 10 CFR PART 431:2016
Phase	3					220 °C		Reglements Energetique	CEE ACT SOR/2018-201
Type	K								
Cooling Refroidissement	ANN								
kVA	75								
Temp. Rise Echauffement									
Temp Class									
Winding Enroulement	CU								
Frequency	60								
Impedance % @ 170 °C	5.1								
Encl Type Type De Coffrage	3R								
Weight Poids	660								

VOLTS	CURRENT COURANT	% RATED VOLTAGE % NOMINALE	CONNECTION CONNECTION PAR PHASE
504	85.9	105	1
492	88.0	102.5	2
480	90.2	100	3
468	92.5	97.5	4
456	95.0	95	5
444	97.5	92.5	6
432	100.2	90	7

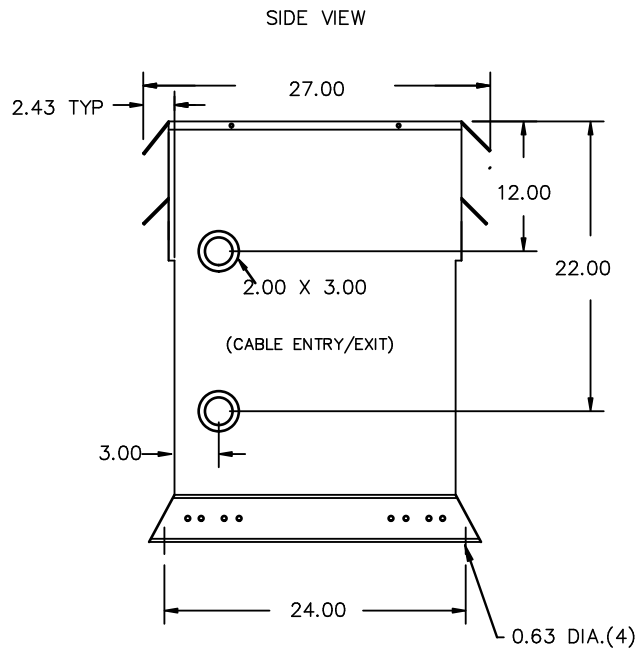
SEISMIC QUALIFICATIONS:  
X0 FLOOR MOUNT ONLY  
IBC 2018/ASCE 7-16  
SDS<=2.0g Z/n=1 Ip=1.5

SPACINGS BETWEEN ANY VENTILATED ENCLOSURE PANEL AND ANY ADJACENT WALL SHALL BE A MINIMUM OF 5 INCHES EXCEPT WHEN WALL MOUNTED USING APPROVED WALL MOUNTING KIT ELECTROSTATIC SHIELD

d000187hb



All Dimensions in inches



ENCLOSURE COLOR :ANSI 61 GREY – OUTDOOR

HV TERMINAL DETAIL

LV TERMINAL DETAIL

X0 TERMINAL DETAIL

MECHANICAL TYPE LUGS INCLUDED  
SUITABLE FOR #2/0-14 CU/AL  
CONDUCTORS  
1 CONDUCTOR PER PHASE

MECHANICAL TYPE LUGS INCLUDED  
SUITABLE FOR #2/0-14 CU/AL  
CONDUCTORS  
1 CONDUCTOR PER PHASE

MECHANICAL TYPE LUGS INCLUDED  
SUITABLE FOR 350MCM-6 CU/AL  
CONDUCTORS  
1 CONDUCTOR PER PHASE

CUSTOMER NOTES:

- HV TERMINATED AT TOP FRONT
- LV TERMINATED AT BOTTOM FRONT
- X0 TERMINATED AT BOTTOM FRONT
- 200% RATED NEUTRAL PROVIDED



TITLE: 3PH DISTRIBUTION TRANSFORMER

3	21/07/16	PP	EDB UPDATE	DES: RBHATIA
2	20/03/17	PP	SEISMIC UPDATE	DATE: 16/11/28
NO.	DATE	BY	REVISION	SCALE: NTS

SHEET 2 OF 3

EDBSK3A0075KK3K

ENCLOSURE BOTTOM VIEW



NOTE:  
 WHEN BOTTOM CABLE ENTRY IS OPTED, THE SPACE USED FOR CONDUITS IN THE FRONT OF THE TRANSFORMER SHOULD NOT OBSTRUCT MORE THAN 50% OF THE FRONT AIR INTAKE AREA DEFINED BETWEEN THE BOTTOM PLATE AND THE SUPPORTING LEGS.  
 SEE MANUAL FOR ADDITIONAL INFORMATION



TITLE: 3PH DISTRIBUTION TRANSFORMER  
 ENCLOSURE BOTTOM VIEW

3	21/07/16	PP	EDB UPDATE	DES: RBHATIA
2	20/03/17	PP	SEISMIC UPDATE	DATE: 16/11/28
NO.	DATE	BY	REVISION	SCALE: NTS

SHEET 3 OF 3

EDBSK3A0075KK3K