




TITLE: 3PH DISTRIBUTION TRANSFORMER
NAMEPLATE INFORMATION

4	25/06/12	AO	EDB UPDATE	DES: JWEN
3	21/07/16	PP	EDB UPDATE	DATE: 16/09/08
NO.	DATE	BY	REVISION	SCALE: NTS

SHEET 1 OF 3


EDBSK3A0045KK9K

4.0 httpd 2026/06/25 04:34



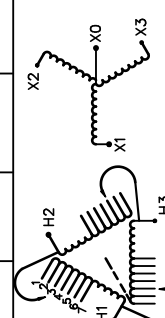
POWER SOLUTIONS
Guelph, ONT
Compton, CA

HPS Sentinel™ K
Energy Efficient Distribution Transformer
Transformateur de Distribution à Bon Rendement Énergétique



LR 3902
DRY TYPE TRANSFORMER E112313
ALSO VERIFIED IN ACCORDANCE TO ENERGY STANDARD CROZ-18 BY UNDERWITERS LABORATORIES INC. 3106

Hyderabad, IN Monterrey, MX Part No. SK3A0045KK9K

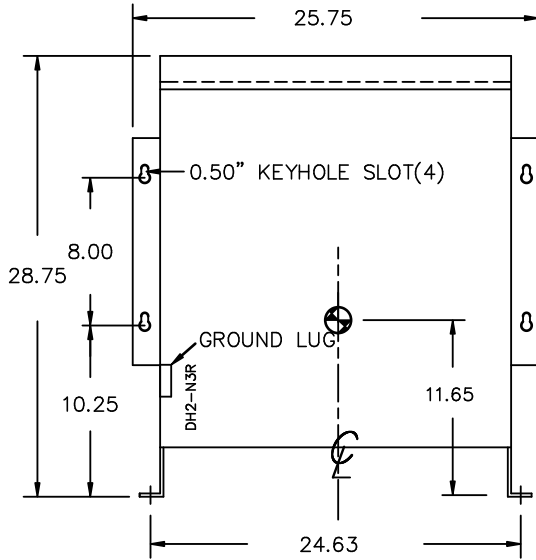
Cust. Ref.	Serial No.	VOLTS	CURRENT COURANT	% RATED VOLTAGE % NOMINALE	CONNECTION CONNECTION PAR PHASE
Ref. du Client	No. de Serie	504	51.5	105	1
Phase	HV/HT	492	52.8	102.5	2
Type	BIL	480	54.1	100	3
Cooling Refroidissement	Term Bornes	468	55.5	97.5	4
kVA	LV/BT	456	57.0	95	5
Temp. Rise Echauffement	BIL	444	58.5	92.5	6
Temp Class	Term Bornes	432	60.1	90	7
Winding Enroulement	Energy Regulations				
Frequency	Reglements Energetique				
Impedance % @ 170°C	CEE ACT SOR/2018-201				
Encl Type Type De Coffrage	Suitable for non-sinusoidal current load with K-factor not to exceed 9 Convient à des courants non-sinusoidaux avec facteur K n'excédant pas 9				
Weight lbs/kg	405/184				

SPACINGS BETWEEN ANY VENTILATED ENCLOSURE PANEL AND ANY ADJACENT WALL SHALL BE A MINIMUM OF 3 INCHES ELECTROSTATIC SHIELD

SEISMIC QUALIFICATIONS:
AS FLOOR MOUNT ONLY
IBC 2018/ASCE 7-16
SDS<=2.0g Z/n=0 Ip=1.5

d000187hb

FRONT VIEW



SIDE VIEW



All Dimensions in inches

ENCLOSURE COLOR : ANSI 61 GREY – OUTDOOR

HV TERMINAL DETAIL

LV TERMINAL DETAIL

X0 TERMINAL DETAIL

MECHANICAL TYPE LUGS INCLUDED
SUITABLE FOR #14-2 CU/AL
CONDUCTORS
1 CONDUCTOR PER PHASE

MECHANICAL TYPE LUGS INCLUDED
SUITABLE FOR #14-2 CU/AL
CONDUCTORS
1 CONDUCTOR PER PHASE

MECHANICAL TYPE LUGS INCLUDED
SUITABLE FOR 250MCM-6 CU/AL
CONDUCTORS
1 CONDUCTOR PER PHASE

CUSTOMER NOTES:

- HV TERMINATED AT TOP FRONT
- LV TERMINATED AT BOTTOM FRONT
- X0 TERMINATED AT BOTTOM FRONT
- 200% RATED NEUTRAL PROVIDED



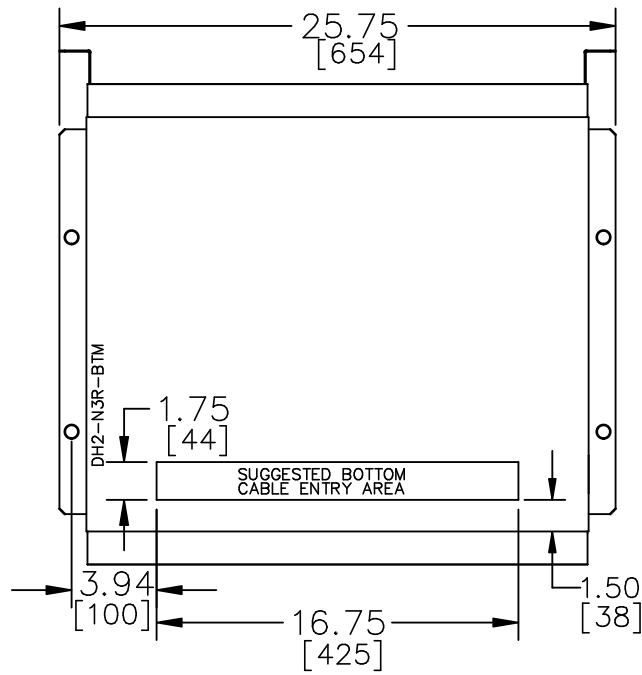
TITLE: 3PH DISTRIBUTION TRANSFORMER

4	25/06/12	AO	EDB UPDATE	DES: JWEN
3	21/07/16	PP	EDB UPDATE	DATE: 16/09/08
NO.	DATE	BY	REVISION	SCALE: NTS

SHEET 2 OF 3

EDBSK3A0045KK9K

ENCLOSURE BOTTOM VIEW



NOTE:
 WHEN BOTTOM CABLE ENTRY IS OPTED, THE SPACE USED FOR CONDUITS IN THE FRONT OF THE TRANSFORMER SHOULD NOT OBSTRUCT MORE THAN 50% OF THE FRONT AIR INTAKE AREA DEFINED BETWEEN THE BOTTOM PLATE AND THE SUPPORTING LEGS.
 SEE MANUAL FOR ADDITIONAL INFORMATION



TITLE: 3PH DISTRIBUTION TRANSFORMER
 ENCLOSURE BOTTOM VIEW

4	25/06/12	AO	EDB UPDATE	DES: JWEN
3	21/07/16	PP	EDB UPDATE	DATE: 16/09/08
NO.	DATE	BY	REVISION	SCALE: NTS

SHEET 3 OF 3

EDBSK3A0045KK9K